

WINDOW FLASHING

A GUIDE TO INSTALLATION

METHOD "A1"

SELF-ADHESIVE FLASHING

The "Method A1" installation guide is designed for integral flanged window applications, where the window is installed after the weather resistive barrier is applied. Compliance with the building code and proper installation are critical in reducing potential water leakage points.

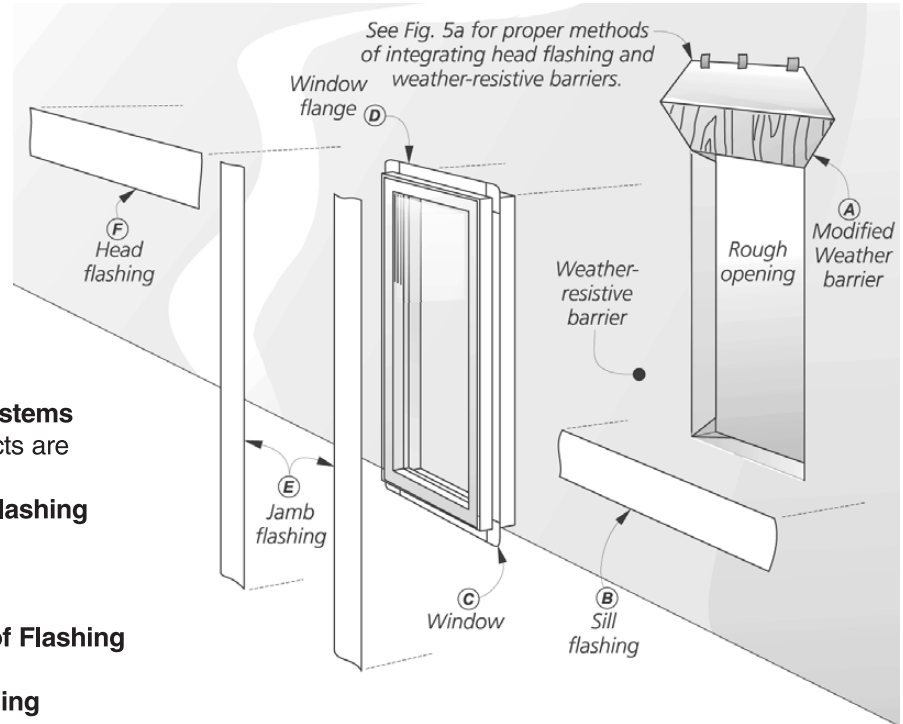
Under adverse weather conditions, the installer may consider using "Method B" with mechanically attached flashing. Consideration should be given to preparing the substrate for best adhesion. For some substrates, a primer may be required.

The following **Fortifiber Building Systems Group**® flexible window flashing products are acceptable for this method:

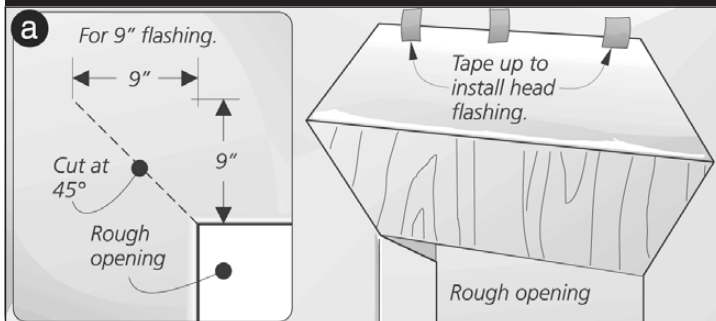
- **Moistop E-Z Seal® Self Adhesive Flashing**
6, 9 and 12 inch x 75' rolls
- **FortiFlash® Waterproof Flashing**
4, 6, 9, 12, 18 and 36 inch x 75' rolls
- **FortiFlash® Commercial Waterproof Flashing**
6, 9, 12 and 18 inch x 75' rolls
- **FortiFlash® Butyl Waterproof Flashing**
4, 6, 9 and 12 inch x 75' rolls
- **Moistop® Sealant** (Exceeds AAMA Standards)

We suggest you review Forti-Facts Technical sheet available at www.fortifiber.com.
Or for further assistance, please call our technical hotline at (800) 773-4777.

THIS INSTALLATION GUIDE REFERENCES THE **AMERICAN ARCHITECTURAL MANUFACTURERS ASSOCIATION** PUBLICATION 2400-02.



1 MODIFY WEATHER-RESISTIVE BARRIER



Make the following diagonal cuts at the top of the rough opening corners. Example: for 9" flashing measure as follows: 9" up and 9" over, making a 45° angle (1a). Cut on the diagonal from marked point to the rough opening corner. Gently raise the top edge of the weather-resistive barrier and tape the corners and the center to the barrier surface above. This will allow for the installation of the window and the jamb and head flashing later.

2 SILL FLASHING

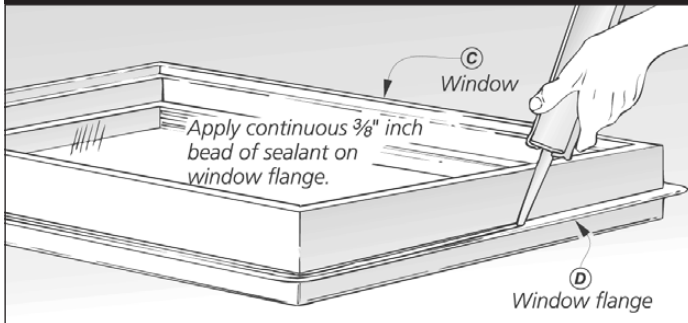


Cut the sill flashing to the width of the rough opening plus twice the flashing width. Wipe the surface of the weather-resistive barrier with a clean rag to ensure proper adhesion. Remove the release paper and press the sill flashing in place so that the edge of the flashing's adhesive is level with the top edge of the rough opening.

CONTINUED...

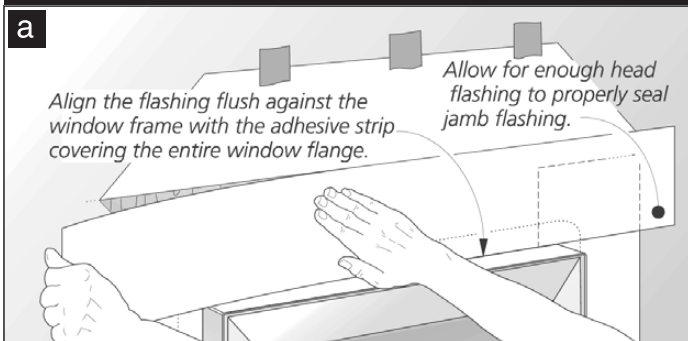
CONTINUED FROM FRONT...

3 WINDOW INSTALLATION

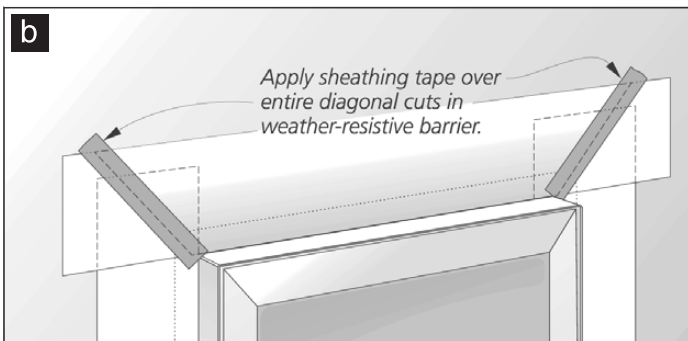


Before installing the window, apply a continuous $\frac{3}{8}$ " bead of **Moistop® Sealant** to the backside (interior) of the mounting flange. Install the window according to the window manufacturer's instructions.

5 HEAD FLASHING



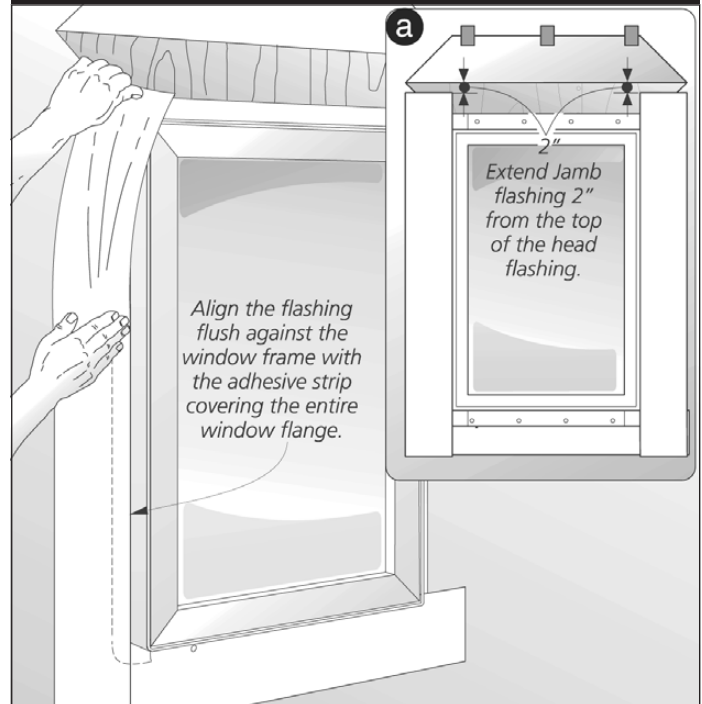
Wipe the head flange, jamb flashing, weather-resistant barrier, and sheathing with a clean rag. Cut a piece of flashing long enough to ensure that the head flashing extends a minimum **1"** beyond the jamb flashing. Install the head flashing by pressing firmly in place in one direction to prevent voids.



Finally, allow the flap of the weather-resistant barrier at the head to lay flat over the head flashing. Apply a new piece of sheathing tape over the entire diagonal cut made in the weather-resistant barrier and press firmly in place.

Limitations: For optimum adhesion, **Moistop E-Z Seal**, **FortiFlash** and **FortiFlash Commercial** flashings should be applied at temperatures between 40° F (4.4° C) and 120° F (48.9° C); **FortiFlash Butyl** may be applied at temperatures between 25° F (3.9° C) and 125° F (51.7° C). Be cautious about using FortiFlash where it can be exposed to temperatures above its Service Temperature such as hot climates or behind fiber cement and metal sidings that absorb a significant amount of heat. FortiFlash, FortiFlash Commercial and FortiFlash Butyl are the only Fortifiber flashing products that can be installed horizontally or at a slope of less than 60°. Where installed horizontally or with a slope of less than 60° do not use fasteners. Product should be covered as soon as possible. Inspect product to insure it is free of any protrusions or damage which may compromise its moisture-resistant properties. **FortiFlash is not compatible with EPDM or flexible (plasticized) Polyvinyl Chloride (PVC) based products. FortiFlash and Moistop E-Z Seal are not compatible with some sealants. Consult with sealant manufacturer for compatibility information.** Direct exposure of sealant to the adhesive side of FortiFlash or Moistop E-Z Seal can be detrimental if the amount of sealant exceeds what is specified above. Please follow these recommendations regarding location and amount of sealant to be used. Fortifiber strongly recommends against the practice of using a "knockdown bead of sealant," or "buttering the flange" with sealant, because this amount of sealant is excessive and unnecessary.

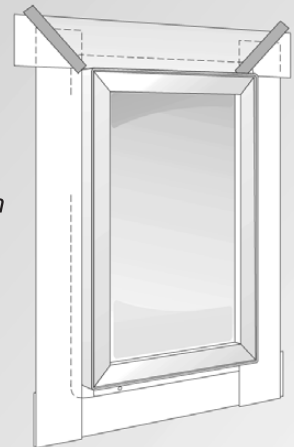
4 JAMB FLASHING



Prior to installing the jamb flashing wipe the jamb flange and weather-resistant barrier with a clean rag to ensure proper adhesion. Then cut two strips of flashing long enough to extend beyond the sill flashing and 2" below the top of the head flashing. Remove the release paper and align the flashing flush against the window frame with the adhesive strip covering the entire window flange. Follow this procedure for the other side of the window.

OVERVIEW

This recommendation refers to the most commonly used types of windows (surface mounted). For other types of frames, special attention should be paid to the window manufacturer's instructions. Fortifiber recommends the use of a well-integrated weather-resistant barrier with all its flashing systems.



Call 1-800-773-4777 for Technical Assistance
www.fortifiber.com



Fortifiber Building Systems Group®

Protecting Your World from the Elements®

NATIONAL SALES OFFICE - Fernley, NV