

WINDOW FLASHING

A GUIDE TO INSTALLATION

METHOD "A"

SELF ADHESIVE FLASHING

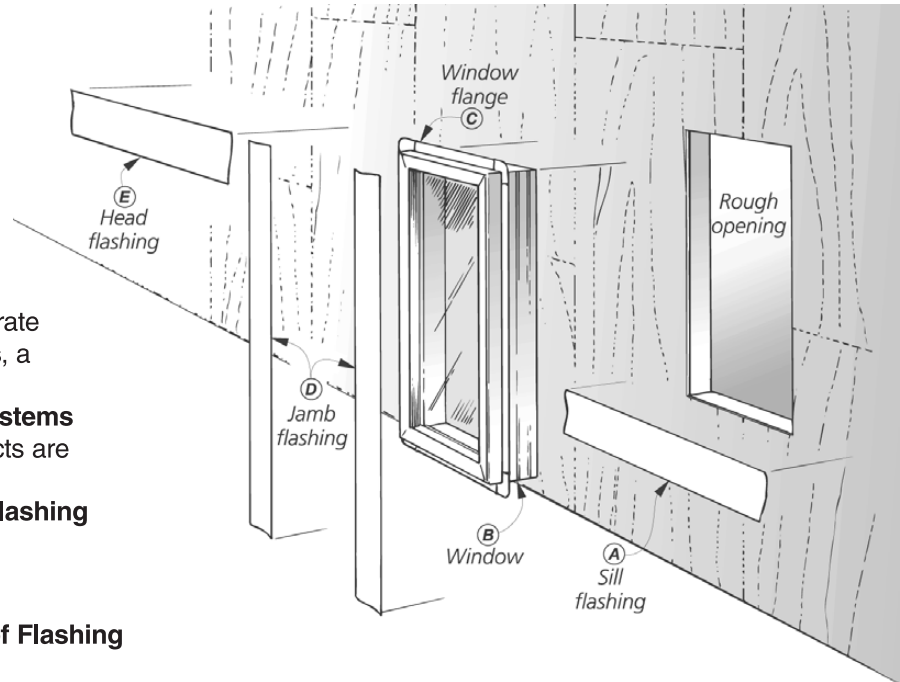
The "Method A" installation guide is designed for integral flanged window applications, where the window is installed before the weather resistive barrier is applied. Compliance with the building code and proper installation are critical in reducing potential water leakage points.

Under adverse weather conditions, the installer may consider using "Method B" with mechanically attached flashing. Consideration should be given to preparing the substrate for best adhesion. For some substrates, a primer may be required.

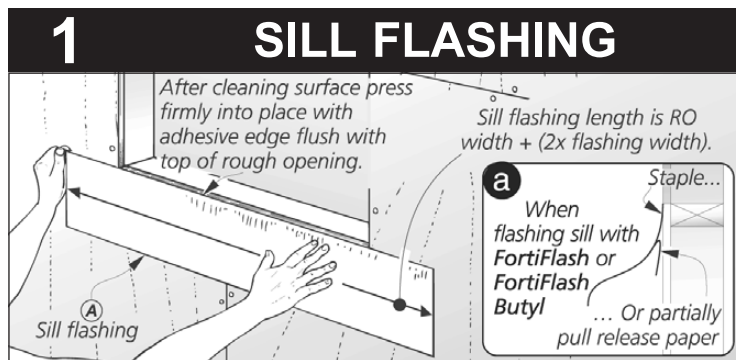
The following **Fortifiber Building Systems Group**® flexible window flashing products are acceptable for this method:

- **Moistop E-Z Seal**® Self Adhesive Flashing
6, 9 and 12 inch x 75' rolls
- **FortiFlash**® Waterproof Flashing
4, 6, 9, 12, 18 and 36 inch x 75' rolls
- **FortiFlash**® Commercial Waterproof Flashing
6, 9, 12 and 18 inch x 75' rolls
- **FortiFlash**® Butyl Waterproof Flashing
4, 6, 9 and 12 inch x 75' rolls
- **Moistop**® Sealant (Exceeds AAMA Standards)

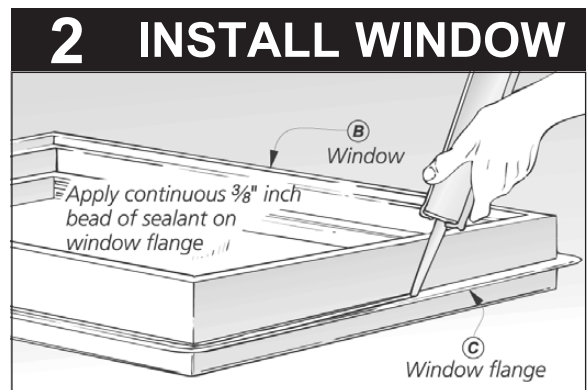
THIS INSTALLATION GUIDE REFERENCES THE **AMERICAN ARCHITECTURAL MANUFACTURERS ASSOCIATION** PUBLICATION 2400-02.



We suggest you review Forti-Facts Technical sheet available at www.fortifiber.com.
Or for further assistance, please call our technical hotline at (800) 773-4777.



Cut the sill flashing the width of the rough opening + 2x the width of the flashing. Wipe the exterior sheathing or wall with a clean rag to ensure proper adhesion. Remove the release paper and press the sill flashing in place so that the top edge of the flashing's adhesive is level with the top edge of the rough opening. Once pressed in place, use a "J" roller (or wallpaper seaming tool) to seal the flashing to the sheathing. **Note:** when using **FortiFlash** or **FortiFlash Butyl**, partially remove the release paper or staple to allow for integration with weather-resistive barrier (1a). Once the weather barrier has been tucked under the sill flashing, remove the remaining release paper and press firmly in place.

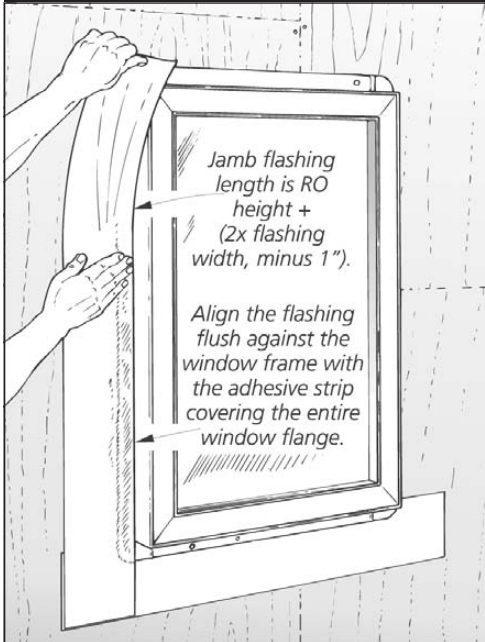


Before installing the window, apply a continuous 3/8" bead of **Moistop Sealant** to the back-side (interior) of the mounting flange. Install the window according to the window manufacturer's instructions.

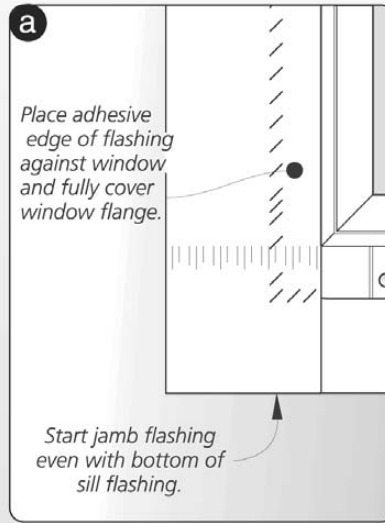
CONTINUED...

3

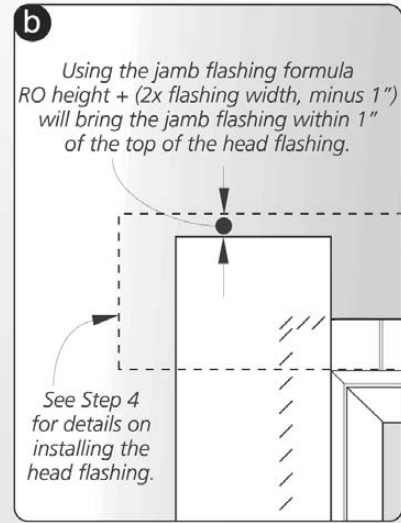
JAMB FLASHING



SILL JUNCTION



HEAD JUNCTION

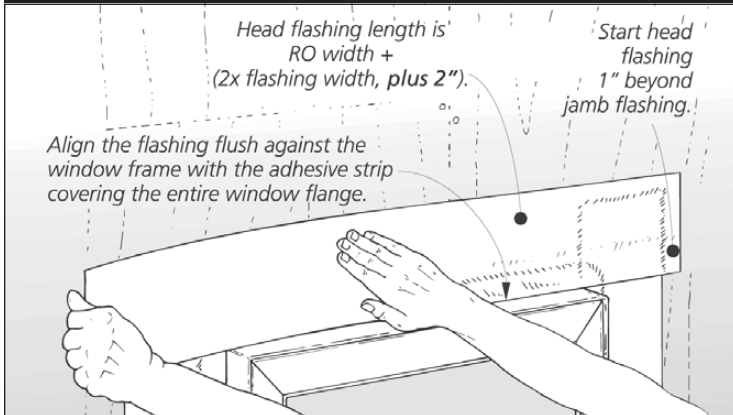


Prior to installing the jamb flashing, wipe the window jamb flange and exterior walls with a clean rag to ensure proper adhesion. Cut the jamb flashing to the height of the rough opening + 2x the width of the flashing, **minus 1"** (see 3a and 3b). Remove the release paper and place the jamb

flashing against the window flange and firmly press into place in a single direction to prevent voids. Once pressed in place, use a "J" roller (or wallpaper tool) to seal the flashing to the window flange. Repeat this procedure for the other side of the window.

4

HEAD FLASHING

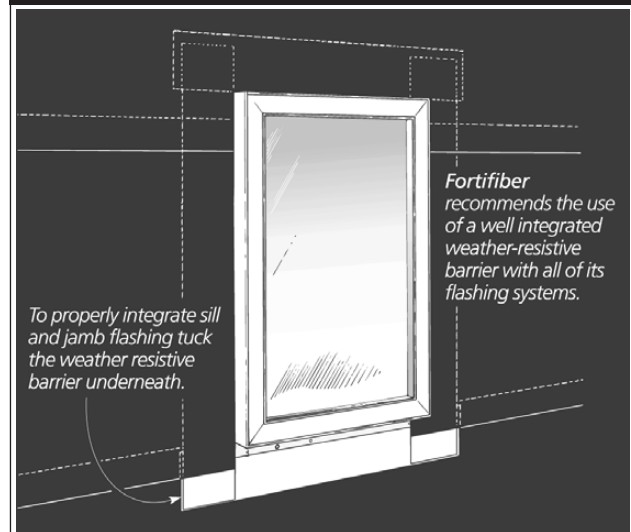


Wipe the head flange, jamb flashing and sheathing with a clean rag. Cut the head flashing to twice the width of the rough opening + 2x the width of the flashing **plus 2"**. Install the head flashing by pressing firmly in place in one direction to prevent voids.

Call 1-800-773-4777 for Technical Assistance
www.fortifiber.com

Limitations: For optimum adhesion, **Moistop E-Z Seal, FortiFlash and FortiFlash Commercial** flashings should be applied at temperatures between 40° F (4.4° C) and 120° F (48.9° C); **FortiFlash Butyl** may be applied at temperatures between 25° F (3.9° C) and 125° F (51.7° C). Be cautious about using FortiFlash where it can be exposed to temperatures above its Service Temperature such as hot climates or behind fiber cement and metal sidings that absorb a significant amount of heat. FortiFlash, FortiFlash Commercial and FortiFlash Butyl are the only Fortifiber flashing products that can be installed horizontally or at a slope of less than 60°. Where installed horizontally or with a slope of less than 60° do not use fasteners. Product should be covered as soon as possible. Inspect product to insure it is free of any protrusions or damage which may compromise its moisture-resistive properties. **FortiFlash is not compatible with EPDM or flexible (plasticized) Polyvinyl Chloride (PVC) based products. FortiFlash and Moistop E-Z Seal are not compatible with some sealants. Consult with sealant manufacturer for compatibility information.** Direct exposure of sealant to the adhesive side of FortiFlash or Moistop E-Z Seal can be detrimental if the amount of sealant exceeds what is specified above. Please follow these recommendations regarding location and amount of sealant to be used. Fortifiber strongly recommends against the practice of using a "knockdown bead of sealant," or "buttering the flange" with sealant, because this amount of sealant is excessive and unnecessary.

OVERVIEW



This recommendation refers to the most common types of windows used (surface mounted). For other types of frames, special attention should be paid to the window manufacturer's instructions.



Fortifiber Building Systems Group®

Protecting Your World from the Elements®

NATIONAL SALES OFFICE - Fernley, NV