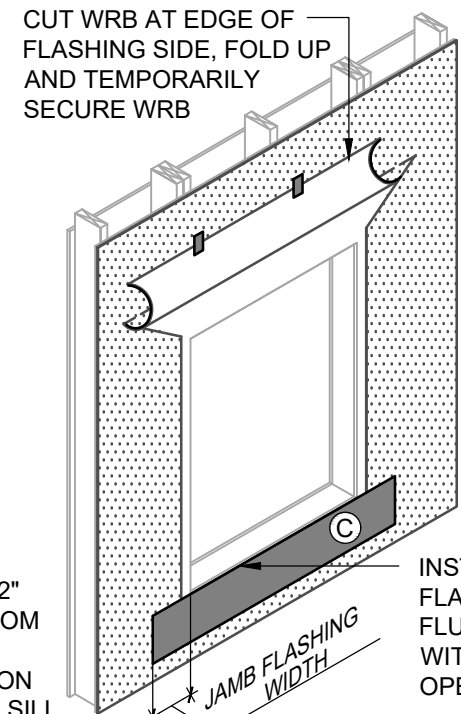
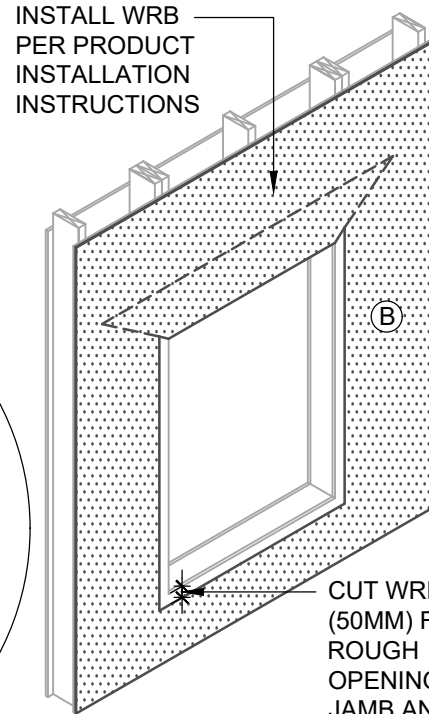


**SELF-ADHERED MEMBRANE:**

1. REMOVE RELEASE PAPER AT TOP OF MEMBRANE AND ADHERE INTO PLACE
2. LEAVE BOTTOM OF RELEASE PAPER INTACT TO PROTECT ADHESIVE FROM DIRT AND DEBRIS
3. INTEGRATE MEMBRANE WITH WRB IN STEP #7



**1** HEADER PREPARATION

**2** WEATHER-RESISTIVE BARRIER (WRB)

**3** HEADER PREPARATION AND SILL FLASHING

**Henry** RESIDENTIAL AND LIGHT COMMERCIAL WEATHER-RESISTIVE BARRIER ASSEMBLY



**HENRY 1-2-3 MOISTURE CONTROL SYSTEM WEATHER-RESISTIVE BARRIER (WRB) INSTALLATION GUIDELINES**

**WEATHER-RESISTIVE BARRIER (WRB) COMPONENTS**

- (A) HENRY SELF-ADHERED FLASHING OR BLUESKIN VP100
- (B) BLUESKIN VP100
- (C) HENRY SELF-ADHERED OR HENRY LIQUID APPLIED FLASHING
- (D) HENRY MOISTOP SEALANT
- (E) HENRY 212 SEALANT (US) OR KOP-R-LASTIC SEALANT (CAN)

**NOTES**

1. THE DEPICTED DETAIL SHOWS ONE OF THE SEVERAL COMMONLY ACCEPTED METHODS OF WINDOW INSTALLATION.
2. VISIT [WWW.HENRY.COM/WARRANTY](http://WWW.HENRY.COM/WARRANTY) FOR ELIGIBILITY REQUIREMENTS OF THE 15-YEAR RESIDENTIAL AND LIGHT COMMERCIAL HENRY 1-2-3 MOISTURE CONTROL SYSTEM WARRANTY.
3. HENRY OFFERS **BLUESKIN VP100** IN THE UNITED STATES AND CANADA. PRODUCT AVAILABILITY AND WARRANTY OPTIONS MAY VARY BY LOCATION. REFER TO THE HENRY **BLUESKIN VP100** GUIDE SPECIFICATION FOR RECOMMENDED FLASHINGS, SEALANTS, AND SYSTEM INFORMATION.



999 N. Pacific Coast Highway, Suite 800  
El Segundo, CA 90245  
800-486-1278 • [www.henry.com](http://www.henry.com)

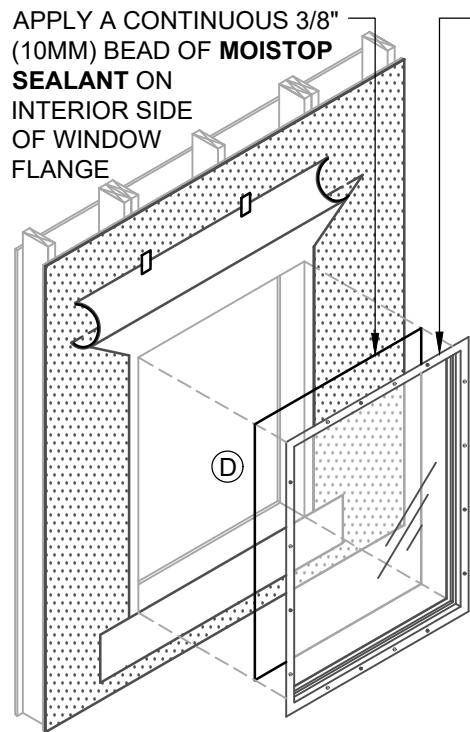
**BLUESKIN VP100 SELF-ADHERED AIR BARRIER  
FLANGED WINDOW - METHOD A1  
WINDOW INSTALLATION FOR LOW WIND AND WATER EXPOSURE  
FLASHING INSTALLED AFTER WRB - INSTALLATION SEQUENCE**

MANUFACTURER INSTALLATION GUIDELINES ARE FOR REFERENCE ONLY. HENRY DOES NOT ASSUME RESPONSIBILITY FOR ERRORS OR DEVIATIONS IN DESIGN OR ENGINEERING. PROJECT SPECIFIC VERIFICATION IS RECOMMENDED PRIOR TO INSTALLATION. DETAILS ARE NOT TO SCALE. REFER TO PRODUCT SPECIFIC TECHNICAL DATA SHEET FOR PRODUCT INFORMATION, RECOMMENDED AUXILIARY COMPONENTS AND INSTALLATION INSTRUCTIONS.

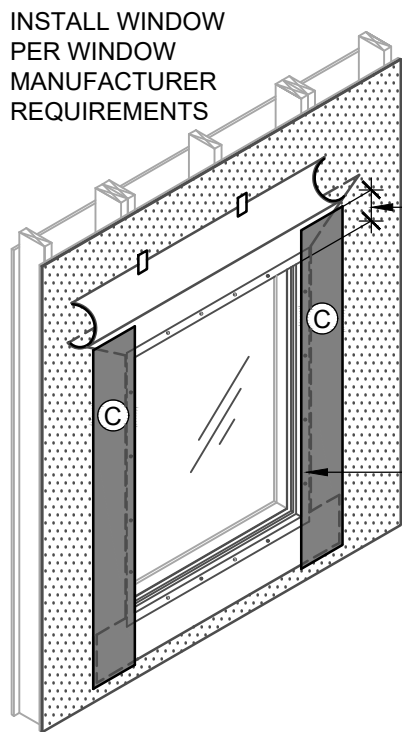
04-18-2022

PAGE 1 OF 2

**VPWRB-6A1-L2**



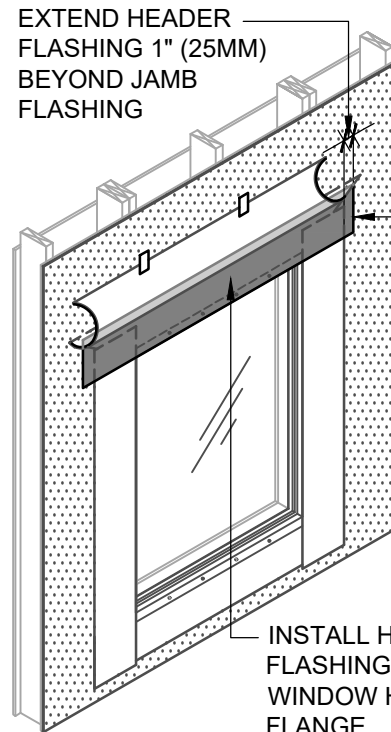
APPLY A CONTINUOUS 3/8" (10MM) BEAD OF **MOISTOP SEALANT** ON INTERIOR SIDE OF WINDOW FLANGE



INSTALL WINDOW PER WINDOW MANUFACTURER REQUIREMENTS

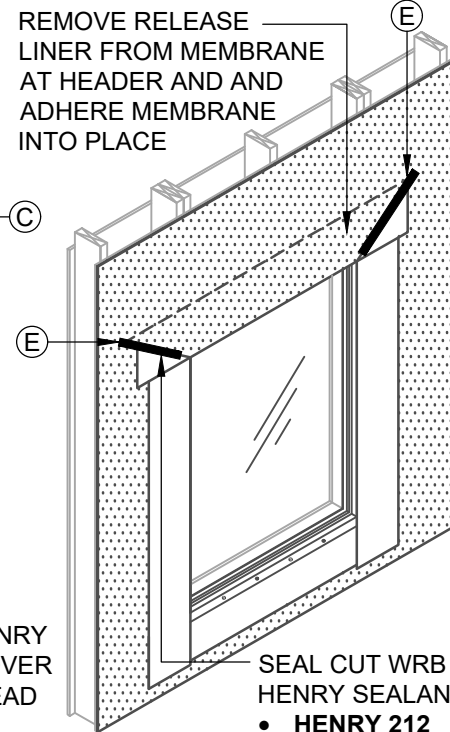
INSTALL JAMB FLASHING 1" (25MM) BELOW TOP OF HEAD FLASHING

INSTALL HENRY JAMB FLASHING OVER WINDOW JAMB FLANGE



EXTEND HEADER FLASHING 1" (25MM) BEYOND JAMB FLASHING

INSTALL HENRY FLASHING OVER WINDOW HEAD FLANGE



REMOVE RELEASE LINER FROM MEMBRANE AT HEADER AND ADHERE MEMBRANE INTO PLACE

SEAL CUT WRB WITH HENRY SEALANT

- HENRY 212 SEALANT (US)
- KOP-R-LASTIC SEALANT (CAN)

## 4 WINDOW INSTALLATION

## 5 JAMB FLASHING INSTALLATION

## 6 HEADER FLASHING INSTALLATION

## 7 SECURE WRB AT HEADER

### INSTALLATION GUIDELINES AND LIMITATIONS

1. INSTALLATION "METHOD A1" REFERS TO COMMON WINDOWS (SURFACE MOUNTED). INSTALL WINDOW PER WINDOW MANUFACTURER REQUIREMENTS.
2. SEE PRODUCT SPECIFIC TECHNICAL DATA SHEET FOR ROLL SIZES, MAXIMUM UV EXPOSURE, COMPATIBILITY CONCERNS, APPLICATION TEMPERATURES AND SERVICE TEMPERATURE LIMITATIONS.
3. REFER TO THE HENRY **BLUESKIN VP100** GUIDE SPECIFICATION FOR RECOMMENDED FLASHINGS.
4. FLASHINGS MAY NOT BE COMPATIBLE WITH ALL SEALANTS. USE SEALANTS AS INDICATED OR VERIFY COMPATIBILITY AS DIRECTED IN AAMA 713.
5. INSTALLATIONS WITHOUT A DRAINAGE SILL PAN ARE LIMITED TO LOW WIND AND WATER EXPOSURE CONDITIONS.
6. SUBSTRATES MUST BE CLEAN AND DRY.
7. SELF-ADHERED MEMBRANES MAY REQUIRE A PRIMER FOR OPTIMAL ADHESION TO SOME SURFACES AND/OR SUBSTRATE TEMPERATURES.
8. ROLL SELF-ADHERED MEMBRANES TO OBTAIN CONTINUOUS ADHESION.
9. VERIFY WEATHER-RESISTIVE BARRIER IS FREE FROM PROTRUSIONS OR DAMAGE PRIOR TO CLADDING INSTALLATION.
10. CONTACT HENRY AT 800-773-4777 FOR TECHNICAL ASSISTANCE.

**Henry**<sup>®</sup>

A CARLISLE COMPANY

999 N. Pacific Coast Highway, Suite 800  
El Segundo, CA 90245  
800-486-1278 • www.henry.com

**BLUESKIN VP100 SELF-ADHERED AIR BARRIER**

**FLANGED WINDOW - METHOD A1**

**WINDOW INSTALLATION FOR LOW WIND AND WATER EXPOSURE  
FLASHING INSTALLED AFTER WRB - INSTALLATION SEQUENCE**

MANUFACTURER INSTALLATION GUIDELINES ARE FOR REFERENCE ONLY. HENRY DOES NOT ASSUME RESPONSIBILITY FOR ERRORS OR DEVIATIONS IN DESIGN OR ENGINEERING. PROJECT SPECIFIC VERIFICATION IS RECOMMENDED PRIOR TO INSTALLATION. DETAILS ARE NOT TO SCALE. REFER TO PRODUCT SPECIFIC TECHNICAL DATA SHEET FOR PRODUCT INFORMATION, RECOMMENDED AUXILIARY COMPONENTS AND INSTALLATION INSTRUCTIONS.

04-18-2022

PAGE 2 OF 2

**VPWRB-6A1-L2**