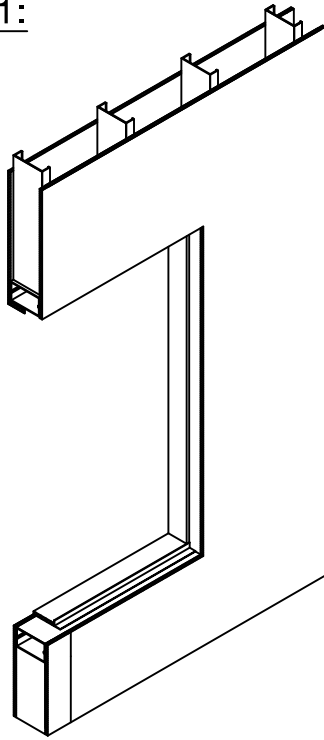
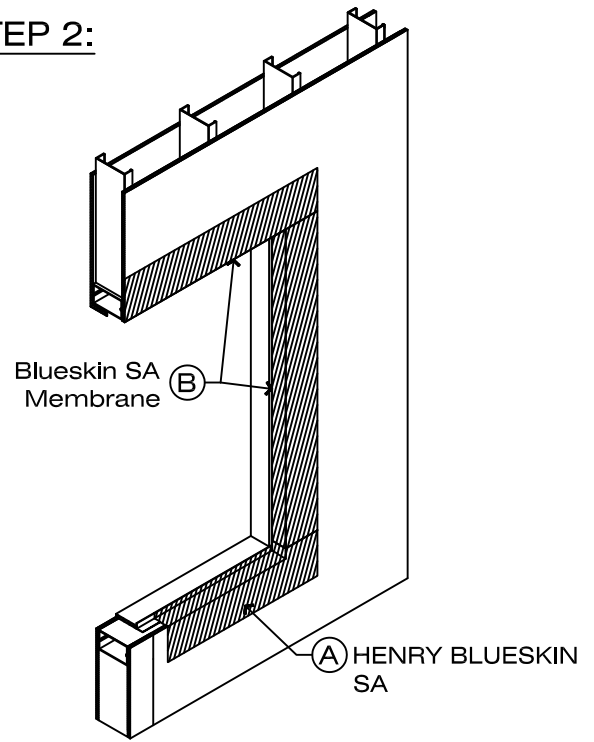


**STEP 1:**



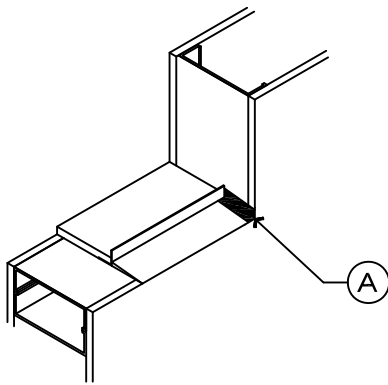
INSTALL METAL ANGLE ONTO SLOPED SILL AND AT JAMBS AND HEAD AS REQUIRED BY WINDOW MANUFACTURER.

**STEP 2:**

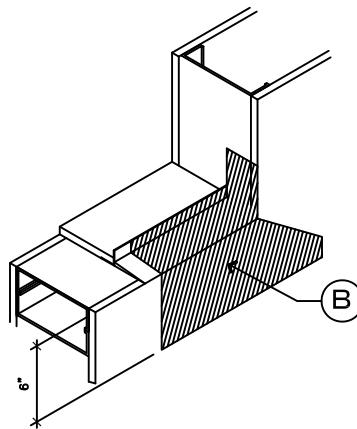


- A. INSTALL HENRY BLUESKIN SA OVER METAL ANGLE, SLOPED SILL, AND ONTO SHEATHING. SEE BELOW.
- B. INSTALL HENRY BLUESKIN SA AT ROUGH OPENING AT THE HEAD AND JAMBS

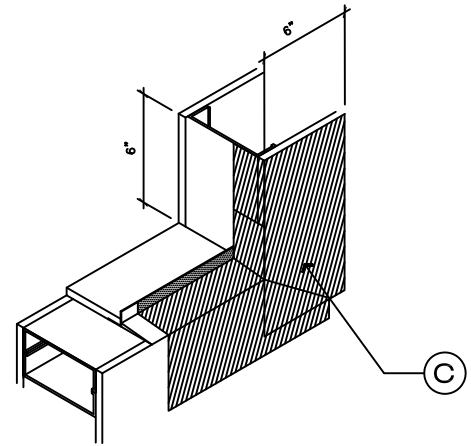
**STEP 2A: SILL PAN INSTALLATION**



**A** APPLY HE925 SEALANT AT SILL-TO-JAMB INTERFACE AS SHOWN. IMMEDIATELY PROCEED TO STEP B.



**B** BEFORE HE925 SEALANT CURES, APPLY BLUESKIN SA ON VERTICAL LEG OF METAL ANGLE AND EXTEND 3" ONTO SHEATHING



**C** EXTEND BLUESKIN SA 6" UP JAMB OVER BLUESKIN SA STRIP AT CORNER TO CREATE SILL PAN



VAPOR PERMEABLE AIR-BLOC MEMBRANE

SCALE: N.T.S.

STEEL STUD / REBATE WINDOW INSTALLATION

04-06-12

**SEQUENCE  
DETAIL**

**AB-H123A**