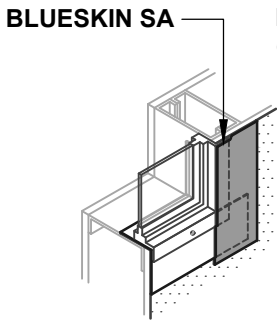
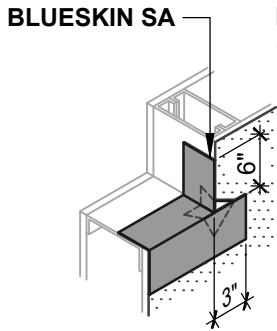
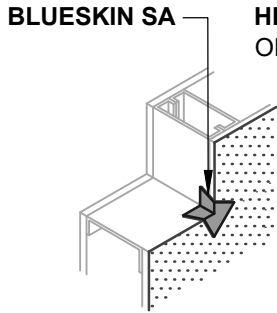
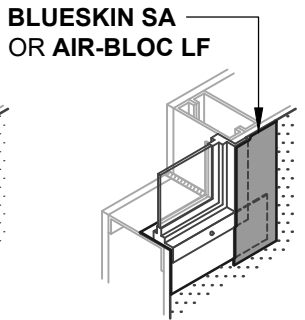
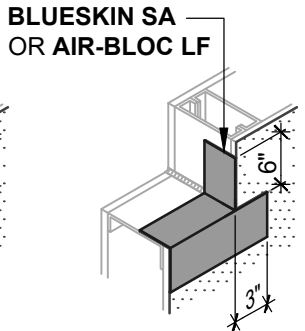
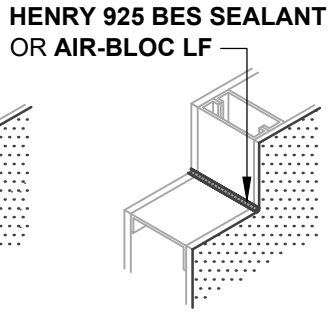


OPTION #1
GUSSET



OPTION #2
SEALANT



WINDOW SILL/JAMB FLASHING
SEALANT AND GUSSET METHODS

AIR-BLOC 16MR

HENRY 925 BES SEALANT
OR **AIR-BLOC LF**
ENCAPSULATE UPPER EDGE
OF SELF-ADHERED FLASHING
REVERSE LAP

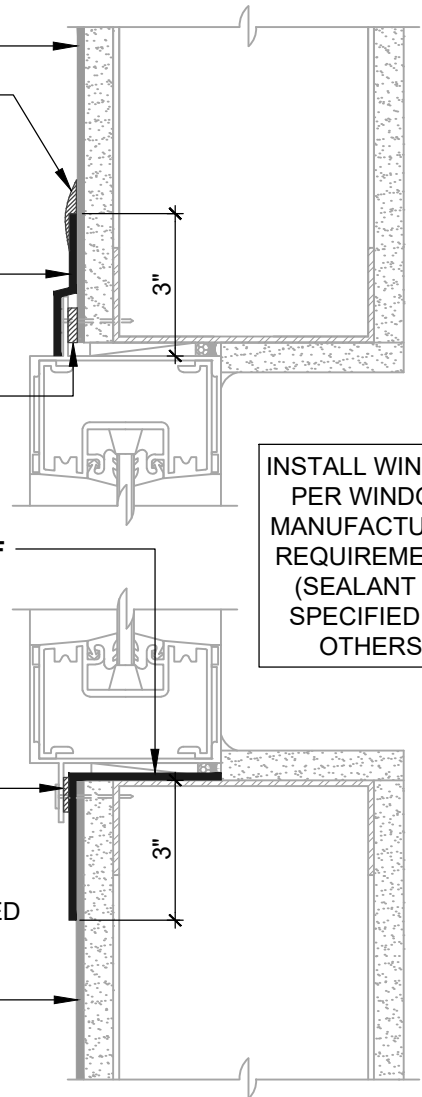
BLUESKIN SA
OR **AIR-BLOC LF**

SET WINDOW FLANGE
INTO A BED OF
HENRY 925 BES SEALANT

BLUESKIN SA OR AIR-BLOC LF
EXTEND FLASHING
3" (SUGGESTED) INTO ROUGH
OPENING (2" MIN)

SET WINDOW FLANGE
INTO A BED OF
HENRY 925 BES SEALANT
APPLY INTERMITTENTLY ON
SILL FLANGE WHERE REQUIRED
TO ALLOW DRAINAGE

AIR-BLOC 16MR



INSTALL WINDOW
PER WINDOW
MANUFACTURER
REQUIREMENTS
(SEALANT AS
SPECIFIED BY
OTHERS)

ASTM E2112- METHOD A1 (SECTION VIEW)
FLASHING INSTALLED AFTER WRB

NOTES:

1. DETAIL SHOWS **AIR-BLOC 16MR FLUID APPLIED AIR AND VAPOR BARRIER**. SUBSTRATE SHOWN IS FOR REFERENCE ONLY. ACCEPTABLE SUBSTRATES INCLUDE PLYWOOD, OSB, CONCRETE, CMU, METAL, AND EXTERIOR GRADE SHEATHING.
2. OTHER FLASHING OPTIONS INCLUDE: **BLUESKIN SA LT, BLUESKIN BUTYL FLASH OR BLUESKIN METAL CLAD**.
3. PRIME CUT/RAW EDGES OF EXPOSED GYPSUM SHEATHING CORE PRIOR TO **AIR-BLOC LF** APPLICATION. RECOMMENDED PRIMER/ADHESIVE INCLUDE: **BLUESKIN SPRAY PREP**.
4. HENRY WINDOW FLASHING DETAILS ARE BASED ON ASTM E2112. REFER TO DETAIL AB16MR-6A1-A FOR SEQUENCE OF INSTALLATION. ACTUAL CONDITIONS MAY VARY. VERIFY PROJECT SPECIFIC WINDOW INSTALLATION REQUIREMENTS AND FLASHING COMPATIBILITY WITH DESIGN PROFESSIONAL.
5. INSULATION AND CLADDING NOT SHOWN FOR CLARITY. REFER TO LOCAL CODE ORDINANCES FOR INSULATION AND VAPOR BARRIER REQUIREMENTS.
6. REFER TO PRODUCT SPECIFIC TECHNICAL DATA SHEET (TDS) AND **AIR-BLOC 16MR** GUIDE SPECIFICATION FOR INSTALLATION PROCEDURES.



999 N. Pacific Coast Highway, Suite 800
El Segundo, CA 90245
800-486-1278 • www.henry.com

MANUFACTURER GUIDE DETAILS ARE FOR REFERENCE ONLY. HENRY DOES NOT ASSUME RESPONSIBILITY FOR ERRORS OR DEVIATIONS IN DESIGN OR ENGINEERING. PROJECT SPECIFIC VERIFICATION IS RECOMMENDED PRIOR TO INSTALLATION.

AIR-BLOC 16MR FLUID APPLIED AIR AND VAPOR BARRIER

FLANGED WINDOW

ASTM E2112 METHOD A1
FLASHING INSTALLED AFTER WRB

SCALE: N.T.S.

03-05-2020

AB16MR-6A1-A