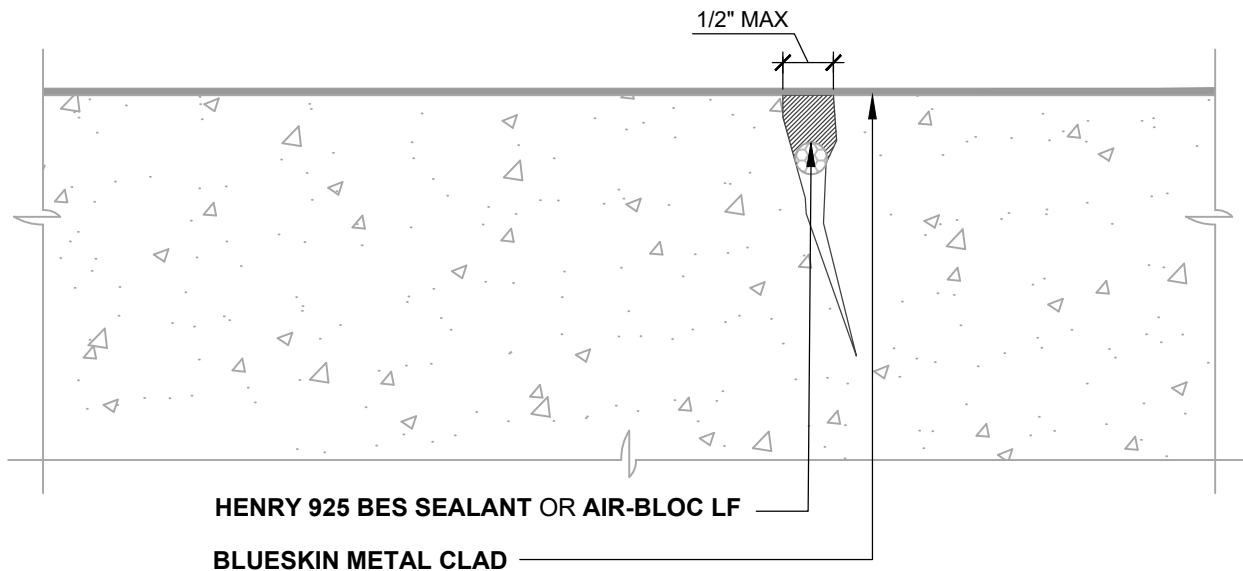


GAPS UP TO 1/8" MAX (PLAN VIEW)
NO SUPPLEMENTARY SEALANT REQUIRED



GAPS UP TO 1/2" MAX (PLAN VIEW)
SEALANT OR LIQUID APPLIED FLASHING
INSTALLED BEFORE WRB

NOTES:

1. DETAIL SHOWS **BLUESKIN METAL CLAD SELF-ADHERED WATER RESISTIVE AIR BARRIER**. THIS DETAIL IS SPECIFIC TO MASONRY AND CONCRETE SUBSTRATES ONLY. REFER TO NON-MOVING JOINT DETAILS FOR OTHER SUBSTRATE FLASHINGS.
2. SELF-ADHERED MEMBRANE PRIMER NOT SHOWN FOR CLARITY.
3. INSTALL **BLUESKIN METAL CLAD** TO ACHIEVE A CONTINUOUS WATER-RESISTIVE BARRIER (WRB). INSULATION AND CLADDING NOT SHOWN FOR CLARITY. REFER TO LOCAL CODE ORDINANCES FOR INSULATION AND VAPOR BARRIER REQUIREMENTS.
4. REFER TO PRODUCT SPECIFIC TECHNICAL DATA SHEET (TDS) AND **BLUESKIN METAL CLAD** GUIDE SPECIFICATION FOR INSTALLATION PROCEDURES.

Henry[®]

999 N. Pacific Coast Highway, Suite 800
El Segundo, CA 90245
800-486-1278 • www.henry.com

MANUFACTURER GUIDE DETAILS ARE FOR REFERENCE ONLY. HENRY DOES NOT ASSUME RESPONSIBILITY FOR ERRORS OR DEVIATIONS IN DESIGN OR ENGINEERING. PROJECT SPECIFIC VERIFICATION IS RECOMMENDED PRIOR TO INSTALLATION.

BLUESKIN METAL CLAD SELF-ADHERED AIR BARRIER

SUBSTRATE CRACKS

**MASONRY AND CONCRETE SUBSTRATE
CRACKS UP TO 1/2" WIDE MAXIMUM**

SCALE: N.T.S.

01-09-2020

MTLCLD-8E