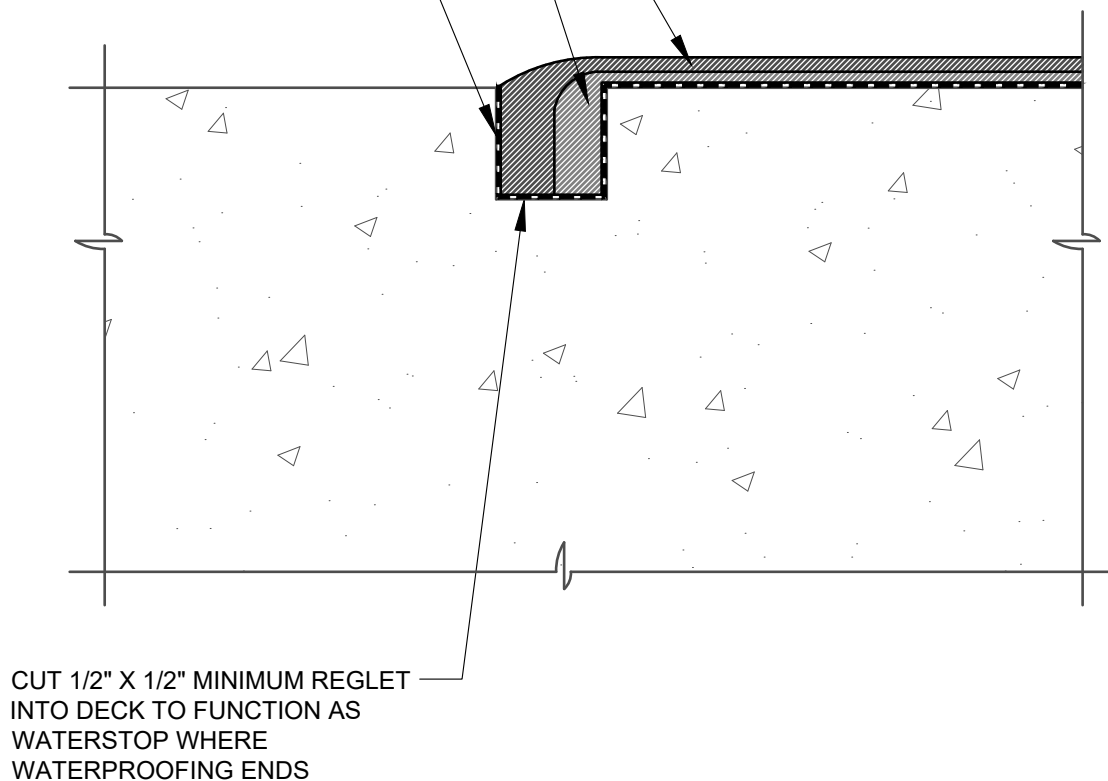


PUMADEQ™ FLEX 30SL (WHITE)

PUMADEQ™ FLEX 30SL (GRAY)

PUMADEQ™ PRIMER 20 OR
HENRY® GC PRIMER



NOTES:

1. DETAIL SHOWS HENRY® PUMADEQ™ SYSTEM WATERPROOFING ASSEMBLY WITH AN UNREINFORCED FIELD MEMBRANE. SUBSTRATE SHOWN IS FOR REFERENCE ONLY. REFER TO PRODUCT SPECIFIC TECHNICAL DATA SHEET FOR AUTHORIZED SUBSTRATES.
2. SURFACE PROFILES MUST MEET ICRI CSP 3-4. IF CSP 5, REFER TO REINFORCED PUMADEQ™ SYSTEM DETAILS.
3. DO NOT INSTALL PUMADEQ™ SYSTEM BEYOND PRIMED SURFACES.
4. HENRY® OFFERS PAVERS, RIGID INSULATION, AND/OR PREFABRICATED DRAINAGE COMPOSITES AS A SINGLE SOURCE WARRANTY OPTION PER PROJECT SPECIFIC REQUIREMENTS (NOT SHOWN FOR CLARITY). CONTACT HENRY® FOR SYSTEM CONFIGURATIONS AND WARRANTY OPTIONS.
5. REFER TO PUMADEQ™ SYSTEM GUIDE SPECIFICATION FOR RECOMMENDED INSTALLATION PROCEDURES.

Henry®

999 N. Pacific Coast Highway, Suite 800
El Segundo, CA 90245
800-486-1278 • www.henry.com

MANUFACTURER GUIDE DETAILS ARE FOR REFERENCE ONLY. HENRY® DOES NOT ASSUME RESPONSIBILITY FOR ERRORS OR DEVIATIONS IN DESIGN OR ENGINEERING. PROJECT SPECIFIC VERIFICATION IS RECOMMENDED PRIOR TO INSTALLATION.

PUMADEQ™ SYSTEM - WATERPROOFING ASSEMBLY

SUBSTRATE TERMINATIONS

**UNREINFORCED FIELD MEMBRANE
TERMINATION ON HORIZONTAL SUBSTRATES**

SCALE: N.T.S.

04-26-2019

PUMADEQ-T2C