

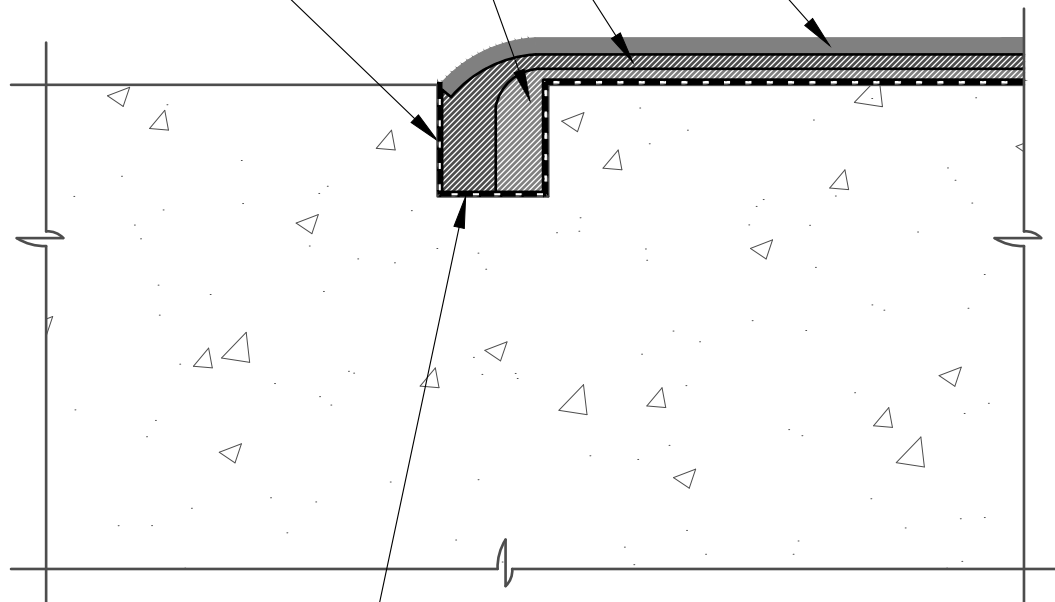
OPTIONAL TOP/WEAR COAT AS SPECIFIED PER PROJECT SPECIFIC REQUIREMENTS (REFER TO **PUMADEQ™** SYSTEM DETAILS)

- HENRY® **DEQCOAT™ 50** TOP COAT
- **PUMADEQ™ GRIP 40** WEAR COAT

**PUMADEQ™ FLEX 30SL** (WHITE)

**PUMADEQ™ FLEX 30SL** (GRAY)

**PUMADEQ™ PRIMER 20**  
OR HENRY® **GC PRIMER**



CUT 1/2" X 1/2" MINIMUM REGLET CUT INTO DECK TO FUNCTION AS WATERSTOP WHERE WATERPROOFING ENDS

**NOTES:**

1. DETAIL SHOWS HENRY® **PUMADEQ™** SYSTEM WATERPROOFING ASSEMBLY WITH AN UNREINFORCED FIELD MEMBRANE. SUBSTRATE SHOWN IS FOR REFERENCE ONLY. REFER TO PRODUCT SPECIFIC TECHNICAL DATA SHEET FOR AUTHORIZED SUBSTRATES.
2. SURFACE PROFILES MUST MEET ICRI CSP 3-4. IF CSP 5, REFER TO REINFORCED **PUMADEQ™** SYSTEM DETAILS.
3. DO NOT INSTALL **PUMADEQ™** SYSTEM BEYOND PRIMED SURFACES.
4. HENRY® OFFERS PAVERS, RIGID INSULATION, AND/OR PREFABRICATED DRAINAGE COMPOSITES AS A SINGLE SOURCE WARRANTY OPTION PER PROJECT SPECIFIC REQUIREMENTS (NOT SHOWN FOR CLARITY). CONTACT HENRY® FOR SYSTEM CONFIGURATIONS AND WARRANTY OPTIONS.
5. REFER TO **PUMADEQ™** SYSTEM GUIDE SPECIFICATION FOR RECOMMENDED INSTALLATION PROCEDURES.

**Henry**®

999 N. Pacific Coast Highway, Suite 800  
El Segundo, CA 90245  
800-486-1278 • www.henry.com

MANUFACTURER GUIDE DETAILS ARE FOR REFERENCE ONLY. HENRY® DOES NOT ASSUME RESPONSIBILITY FOR ERRORS OR DEVIATIONS IN DESIGN OR ENGINEERING. PROJECT SPECIFIC VERIFICATION IS RECOMMENDED PRIOR TO INSTALLATION.

**PUMADEQ™ SYSTEM - WATERPROOFING ASSEMBLY**

**SUBSTRATE TERMINATIONS**  
**UNREINFORCED FIELD MEMBRANE WITH TOP OR WEAR COAT - TERMINATION ON HORIZONTAL SUBSTRATES**

SCALE: N.T.S.

04-26-2019

**PUMADEQ-T2D**