

Henry[®]

self-adhering roofing underlayments



DESIGNED FOR:

Shingles

Tile

Metal

Slate

why use an underlayment?

UNDERLAYMENTS ARE A CRITICAL COMPONENT OF STEEP-SLOPE ROOFING SYSTEMS.

- Steep-slope roofing materials are designed to shed water.
- Underlayments offer secondary protection or "back-up" to primary roof coverings.
- They can act as a combined vapor barrier in certain cold-climate assemblies.
- Prevents ice-damming damage in northern climates.
- Provides adhesive base for foamed roofing tile systems.

Henry is the leading manufacturer of quality roofing products in North America, due in part, to a commitment to continuous improvement.

PERFORMANCE CRITERIA

- Adhesion to plywood, concrete, OSB, and metal substrates.
- Slip resistant surfacing.
- Easy to release backing.
- High temperature resistance in severe climate applications.
- Factory side-lap design.
- ASTM D-1970 compliant.



Self-sealing around nails or screws

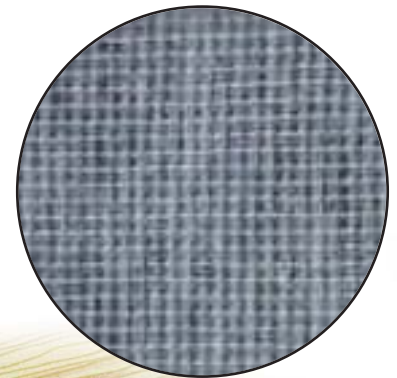
for severe climates

Blueskin® FS fleece surfaced underlayment

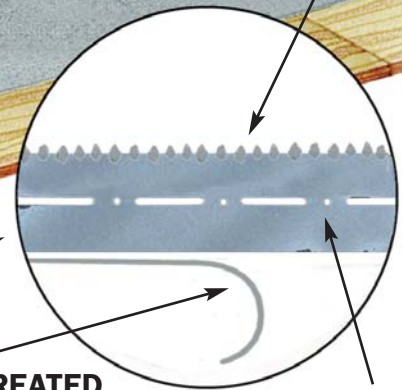
High temperature compound (260°F) laminated to strong woven polyester fleece is perfect for southern climates under tile or architectural metal panels. Fleece surfacing is excellent for foam application of tiles to prevent blow off.

GLASS FIBER REINFORCED MEMBRANE WITH A WOVEN FLEECE SURFACE FOR SKID RESISTANCE. DESIGNED FOR APPLICATION UNDER TILE, SHINGLES, SLATE AND METAL ROOFING.

FLEECE SURFACE UNDERLAYMENT



SKID RESISTANT "FLEECE" SURFACE



HIGH TEMPERATURE FORMULATION - SBS MODIFIED BITUMEN COMPOUND

SILICONE TREATED RELEASE FILM

GLASS FIBER REINFORCEMENT

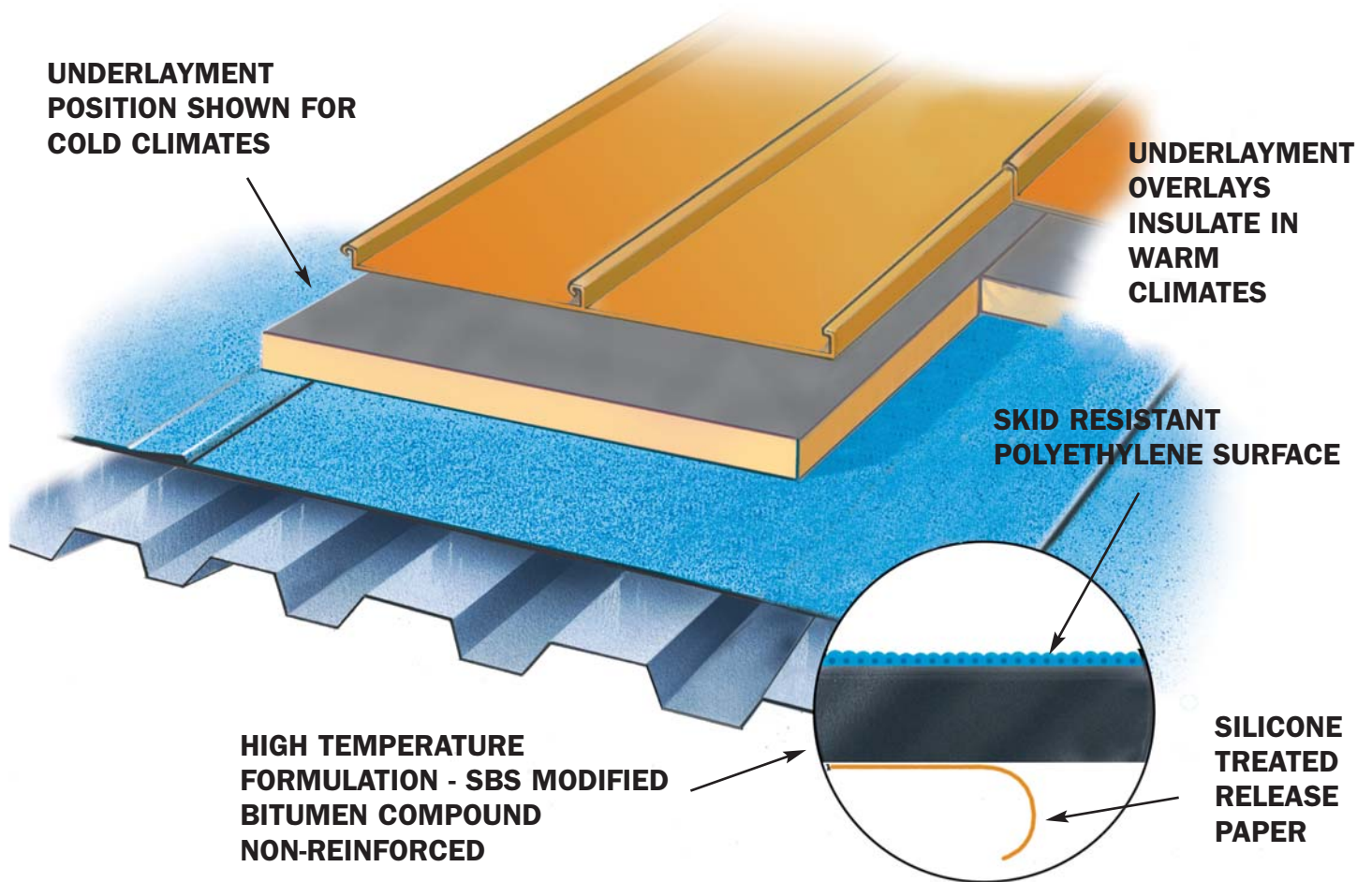
Available in 1m x 1.5m rolls (150 sq. ft. net)

specialized underlayments

Blueskin® PE 200 HT

High temperature compound (260°F) with premium, durable, laminate film is specifically designed for hot, critical climates under metal, copper or aluminum roof panels.

HIGH STRENGTH, TOUGH POLYETHYLENE SURFACED PRODUCT WITH BUILT-IN SKID RESISTANCE FOR APPLICATION UNDER ARCHITECTURAL METAL ROOFING, SHINGLES, SLATE AND TILE.



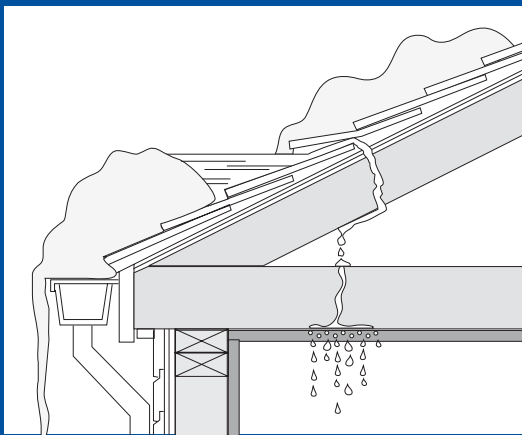
Available in 225 sq. ft. rolls (208 sq. ft. net)

why are there different underlayments?

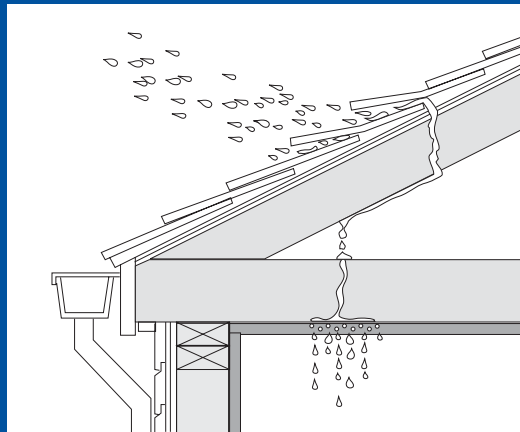
No single underlayment can meet the diverse surfacing and performance demands of all climates.

RESIDENTIAL APPLICATIONS

Ice-damming and wind driven rain can get past shingles causing leaks, damage and mold. Differential expansion and contraction at eaves, valleys, rakes and penetrations can also cause leaks requiring back-up of a self-adhered underlayment.



Ice-damming



Wind-driven rain

SEVERE CLIMATE UNDERLAYMENTS

Metal Roofing Underlayment

Heat build-up of metal roofing panels in warm climates can expose underlayments to severe high temperatures. A high temperature compound is necessary to resist flow and offer long term performance. Position of the underlayment is on the "warm side" of the insulation - that is below the insulation in cold climates and above the insulation in warm climates.

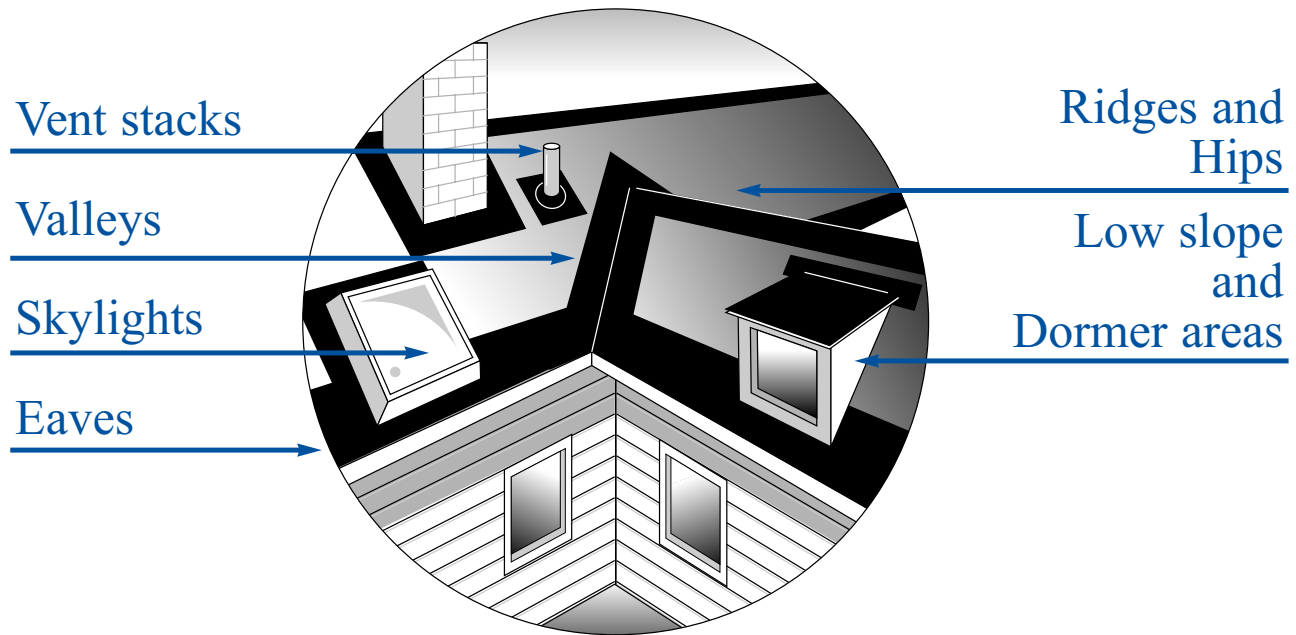
Tile Underlayment

Stacking of tile on the underlayment prior to nailing can damage some underlayment surfacings or lead to tile slippage resulting in a serious safety hazard. Also, in some high wind areas, tile is "foamed" in places with polyurethane foam that requires an underlayment surface to adhere to.

EAVEGUARD®

sand surfaced shingle underlayment

Guards the interior of your home against leaks caused by ice and water build-up and wind-driven rain. Provides a superior waterproof shield between the shingles and the roof deck to prevent leaks in these vulnerable areas:



product features

- Water-tight membrane placed under new shingles.
- Asphalt composition fortified with rubber (SBS). Flexible and elastic at low temperatures.
- Self-sealing around nails.
- Will not rot or decompose.
- Split-back release film, self-adhering, easy to apply, no heat or adhesive required!
- High strength, reinforced with glass fiber mat for high stress areas.
- Top surface embedded with sand to provide a safe, non-slip working surface.
- Meets ASTM D-1970.

Available in convenient 100 sq. ft. and 195 sq. ft. rolls.

Blueskin® RF 200

self-adhering roof underlayment

product features

- For shingles, tile and slate.
- Super sticky SBS adhesive provides superior leak protection.
- Split-back release film saves time and money.
- Self-sealing membrane reduces call backs.
- Warranted for the life of the shingles.
- Meets ASTM D-1970.

Anti-Slip Surface

- Unique anti-slip poly surface provides extra safety and cooler surface temperatures than sand surfaces.

Self-Sealing

- SBS polymer seals around fasteners and screws, eliminating call backs.
- Waterproof membrane.
- Air/vapor barrier.
- Non-abrasive surface.

Available in 225 sq. ft. rolls.



Henry[®]

#1 CHOICE OF PROFESSIONALS[®]

Henry Company

Corporate Headquarters
2911 Slauson Avenue
Huntington Park, CA 90255
www.henry.com

West Sales
800-598-7663

**Central Sales &
Technical Services**
800-486-1278

East Sales
800-523-0268