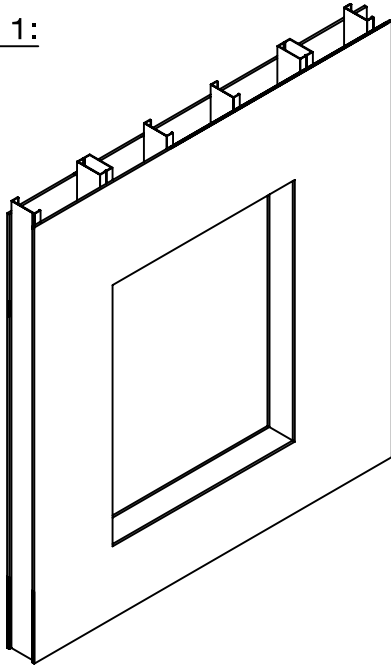
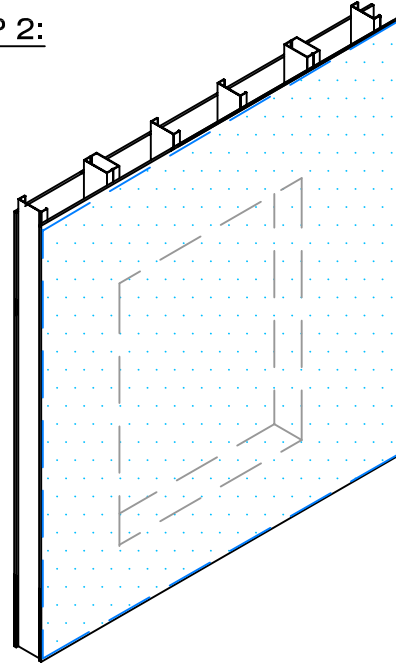


**STEP 1:**



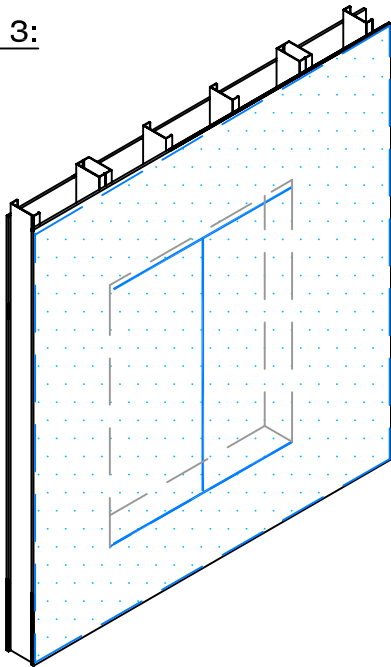
Prepare rough opening, cut sheathing board to provide a uniform & straight edge with framing members per local Building Code.

**STEP 2:**



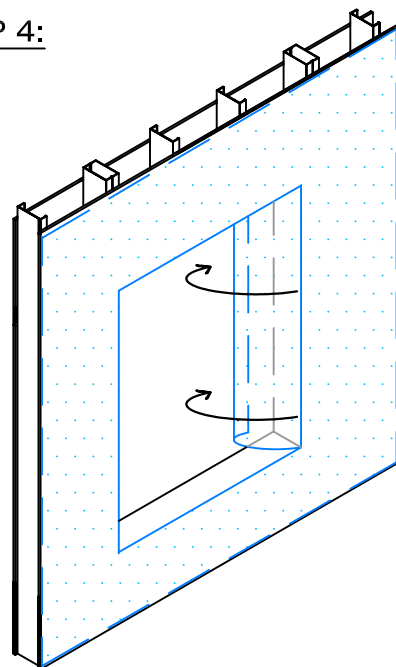
Install BlueskinVP™ water resistive air barrier over wall surfaces and cover rough opening. Roll membrane with roller to ensure adequate membrane to sheathing board adhesion.

**STEP 3:**



Cut BlueskinVP™ water resistive air barrier across the head of the rough opening and along the sill using the framing members as a guide. Cut BlueskinVP™ water resistive air barrier down the center as shown.

**STEP 4:**



Wrap BlueskinVP™ water resistive air barrier tight to inside jamb face, trim excess material and roll jambs to ensure adhesion.