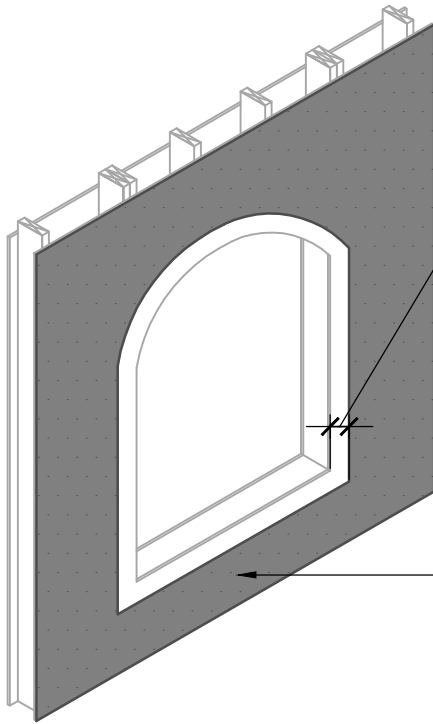


**BLUESKIN® VP100** FLANGED WINDOW DETAIL GUIDELINES CONSIST OF THREE PARTS. REFER TO DETAIL BSVP100-6D2B AND BSVP100-6D2C FOR CONTINUED STEPS 3-7.

**STEP 1**



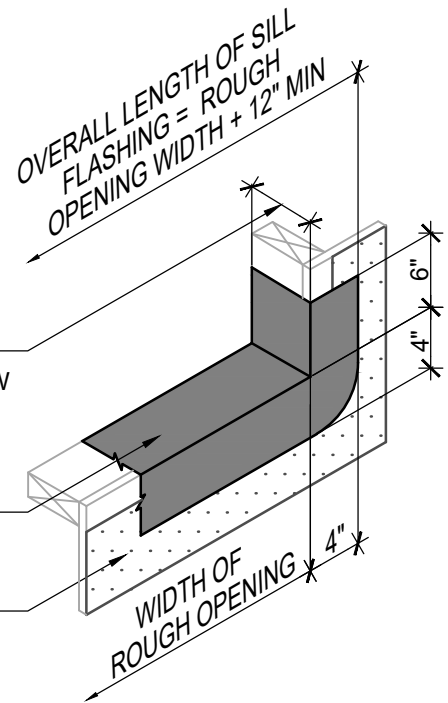
**STEP 2**

INSTALL **BLUESKIN® VP100** 2" MINIMUM FROM ROUGH OPENING

EXTEND FLASHING INTO ROUGH OPENING PER WINDOW MANUFACTURER'S REQUIREMENTS (2" MINIMUM)

**BLUESKIN® FLEXIBLE BUTYL FLASH**

**BLUESKIN® VP100**



**WINDOW SILL**

**NOTES:**

1. DETAIL SHOWS **BLUESKIN® VP100** ASSEMBLY INSTALLED OVER EXTERIOR GRADE SHEATHING. ACCEPTABLE SUBSTRATES INCLUDE PLYWOOD, OSB, CONCRETE, GYPSUM BOARD AND CONCRETE BLOCK.
2. WINDOW FLASHING RECOMMENDATIONS ARE BASED OFF ASTM E2112 AND MAY VARY DEPENDING ON PROJECT SPECIFIC REQUIREMENTS. WINDOW INSTALLATION REQUIREMENTS TO BE VERIFIED BY DESIGN PROFESSIONAL.
3. EXTEND SILL FLASHING 2" MINIMUM BEYOND EDGE OF **BLUESKIN® VP100**. REFER TO DETAIL BSVP100-6D2B FOR FURTHER CLARITY.
3. PRIME **BLUESKIN® VP100** WHERE **BLUESKIN® WB25** OR **BLUESKIN® WB** LAPS ONTO **BLUESKIN® VP100**. RECOMMENDED PRIMERS/ADHESIVES INCLUDE: **BLUESKIN® LVC ADHESIVE**, **AQUATAC™ PRIMER** OR **BLUESKIN® ADHESIVE**. **BLUESKIN® BUTYL FLASH** DOES NOT REQUIRE PRIMER WHEN INSTALLED ONTO **BLUESKIN® VP100**.
4. INSULATION, CLADDING AND OPTIONAL VAPOR BARRIER NOT SHOWN FOR CLARITY.
5. INSTALL **BLUESKIN® VP100** ASSEMBLY TO PROVIDE A CONTINUOUS AIR AND WATER BARRIER.
6. REFER TO **BLUESKIN® VP100** GUIDE SPECIFICATION FOR RECOMMENDED INSTALLATION PROCEDURES.

**Henry®**

999 Sepulveda Blvd., Suite 800  
El Segundo, CA 90245  
800-486-1278 • www.henry.com

MANUFACTURER GUIDE DETAILS ARE FOR REFERENCE ONLY. HENRY® DOES NOT ASSUME RESPONSIBILITY FOR ERRORS OR DEVIATIONS IN DESIGN OR ENGINEERING. PROJECT SPECIFIC VERIFICATION IS RECOMMENDED PRIOR TO INSTALLATION.

**BLUESKIN® VP100 SELF-ADHERED WATER RESISTIVE AIR BARRIER**

**FLANGED WINDOW**

METHOD B - **BLUESKIN® VP100** INSTALLED BEFORE **BLUESKIN® FLEXIBLE BUTYL FLASH** PART 1 OF 3

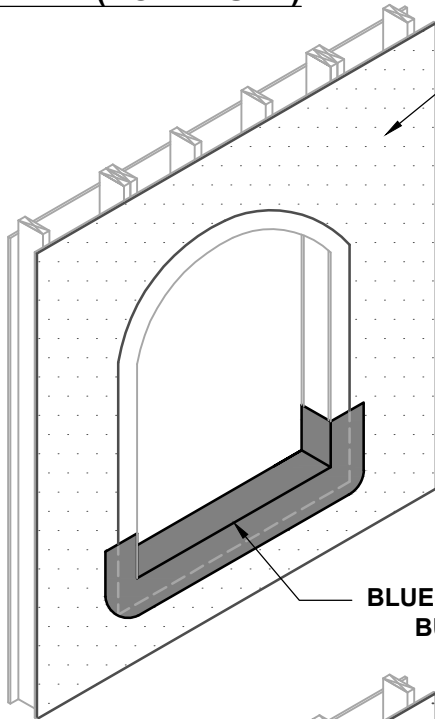
SCALE: N.T.S.

03-20-2018

**BSVP100-6D2A**

**BLUESKIN® VP100 FLANGED WINDOW DETAIL GUIDELINES CONSISTS OF THREE PARTS. REFER TO DETAIL BSVP100-6D2A FOR PREVIOUS STEPS 1-2 AND DETAIL BSVP100-6D2C FOR STEPS 5-7.**

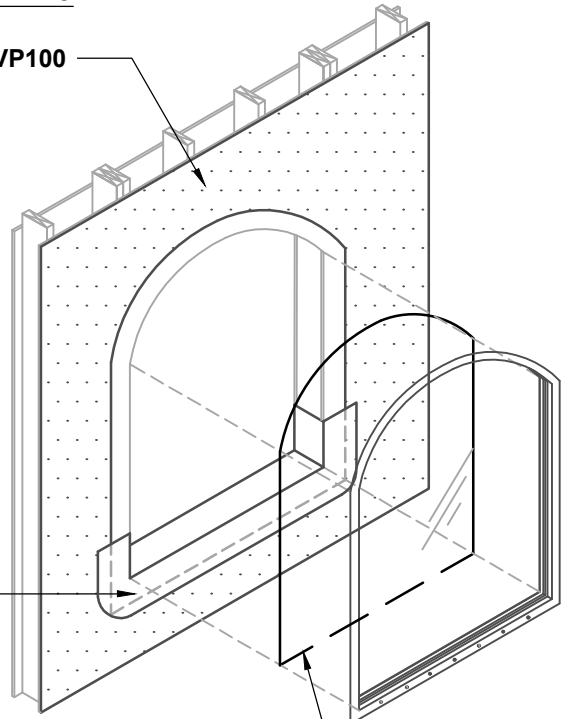
**STEP 2 (CONTINUED)**



**BLUESKIN® VP100**

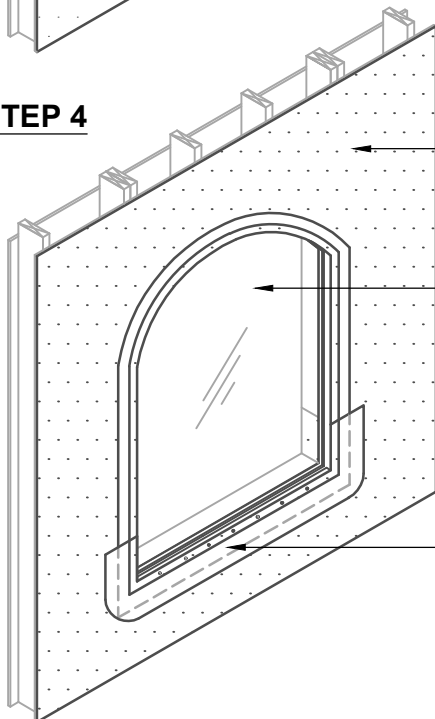
**BLUESKIN® FLEXIBLE BUTYL FLASH**

**STEP 3**



SET WINDOW FLANGE INTO A BED OF **925 BES SEALANT** OR **212 SEALANT** (APPLY INTERMITTENTLY ON SILL FLANGE TO ALLOW DRAINAGE)

**STEP 4**



**BLUESKIN® VP100**

INSTALL FLANGED WINDOW PER WINDOW MANUFACTURER REQUIREMENTS

**BLUESKIN® FLEXIBLE BUTYL FLASH**

**NOTES:**

1. REFER TO NOTES BSVP100-6D2A.

**Henry®**

999 Sepulveda Blvd., Suite 800  
El Segundo, CA 90245  
800-486-1278 • www.henry.com

MANUFACTURER GUIDE DETAILS ARE FOR REFERENCE ONLY. HENRY® DOES NOT ASSUME RESPONSIBILITY FOR ERRORS OR DEVIATIONS IN DESIGN OR ENGINEERING. PROJECT SPECIFIC VERIFICATION IS RECOMMENDED PRIOR TO INSTALLATION.

**BLUESKIN® VP100 SELF-ADHERED WATER RESISTIVE AIR BARRIER**

**FLANGED WINDOW**

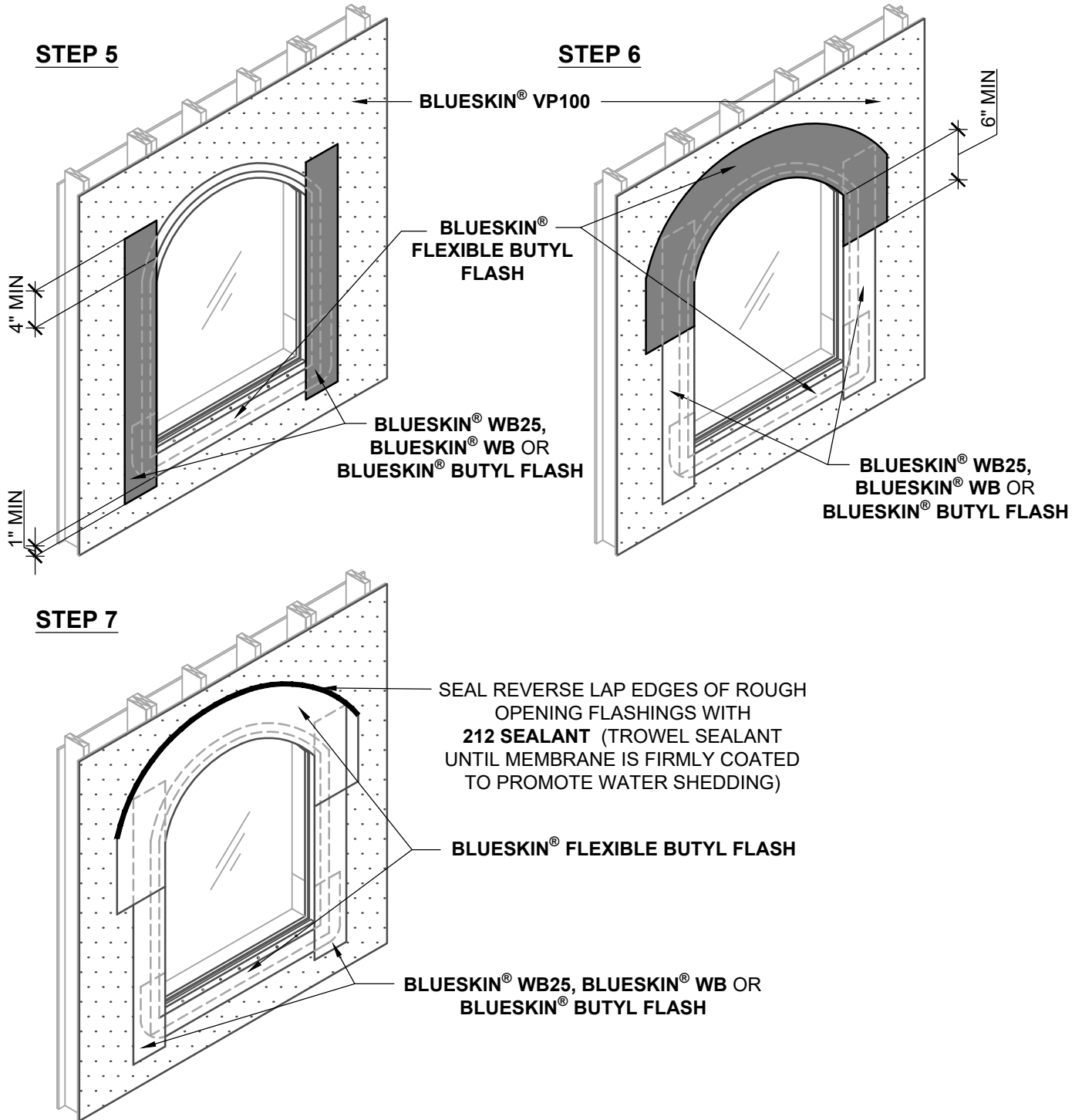
METHOD B - **BLUESKIN® VP100** INSTALLED BEFORE **BLUESKIN® FLEXIBLE BUTYL FLASH** PART 2 OF 3

SCALE: N.T.S.

03-20-2018

**BSVP100-6D2B**

**BLUESKIN® VP100** FLANGED WINDOW DETAIL GUIDELINES CONSIST OF THREE PARTS. REFER TO DETAILS BSVP100-6D1A AND BSVP100-6D1B FOR PREVIOUS STEPS 1-4.



**NOTES:**

1. REFER TO NOTES BSVP100-6D2A.

**Henry®**

999 Sepulveda Blvd., Suite 800  
El Segundo, CA 90245  
800-486-1278 • www.henry.com

MANUFACTURER GUIDE DETAILS ARE FOR REFERENCE ONLY. HENRY® DOES NOT ASSUME RESPONSIBILITY FOR ERRORS OR DEVIATIONS IN DESIGN OR ENGINEERING. PROJECT SPECIFIC VERIFICATION IS RECOMMENDED PRIOR TO INSTALLATION.

**BLUESKIN® VP100 SELF-ADHERED WATER RESISTIVE AIR BARRIER**

**FLANGED WINDOW**

METHOD B - **BLUESKIN® VP100** INSTALLED BEFORE **BLUESKIN® FLEXIBLE BUTYL FLASH** PART 3 OF 3

SCALE: N.T.S.

03-20-2018

**BSVP100-6D2C**