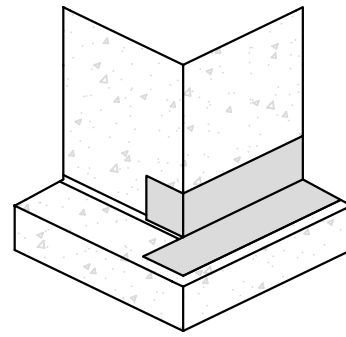
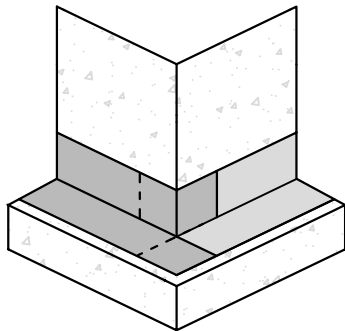


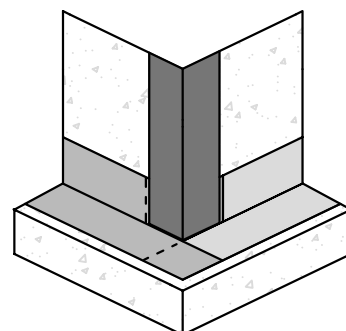
1. Apply fillet bead of HE925 BES Sealant to clean, prepared and primed substrate.



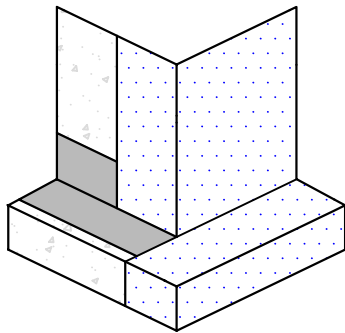
2. Prestrip transition area as shown with minimum 9" wide Blueskin WP200 wrapping membrane around outside corner.



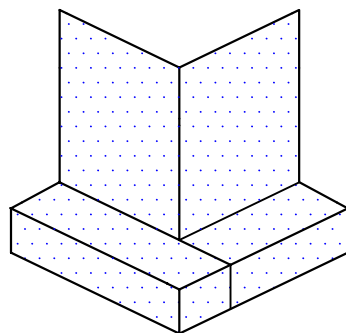
3. Continue to prestrip transition area as shown with minimum 9" wide Blueskin WP200 wrapping membrane around corner. Seal edges with HE925 BES Sealant.



4. Apply minimum 9" wide Blueskin WP200 vertically as shown to outside corner.



5. Extend Blueskin WP200 a minimum of 8" past outside corner and downward over footing as shown.



6. Continue field application by applying full width of Blueskin WP200 extending downward over footing as shown.

**Notes:**

1. All substrates to receive Blueskin WP200 must be primed per Henry requirements.
2. A 9" reinforcing strip of Blueskin WP 200 is applied at 90 degree change-in-plane.
3. Firmly roll membrane with countertop-style roller immediately after installation.
4. Seams within 12" of change-in-plane must be sealed with HE925 BES Sealant.
5. See Henry Blueskin WP200 Guide Specification for complete requirements.