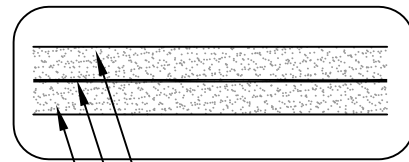
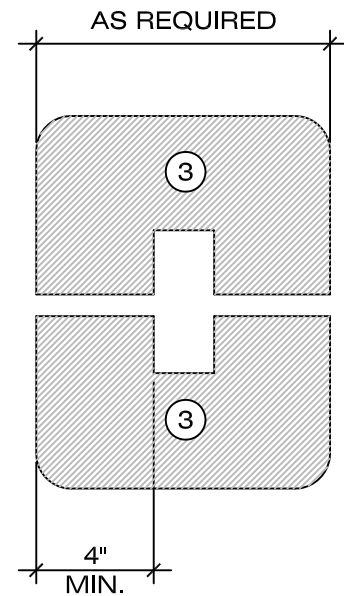
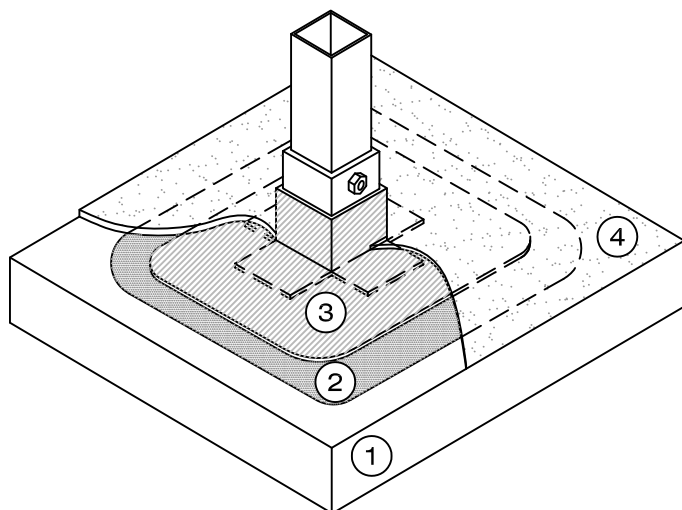
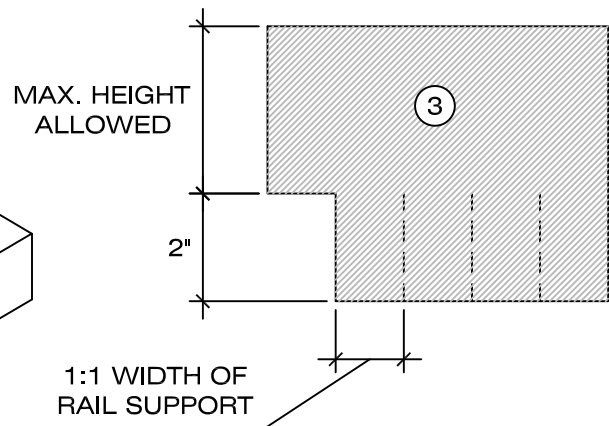
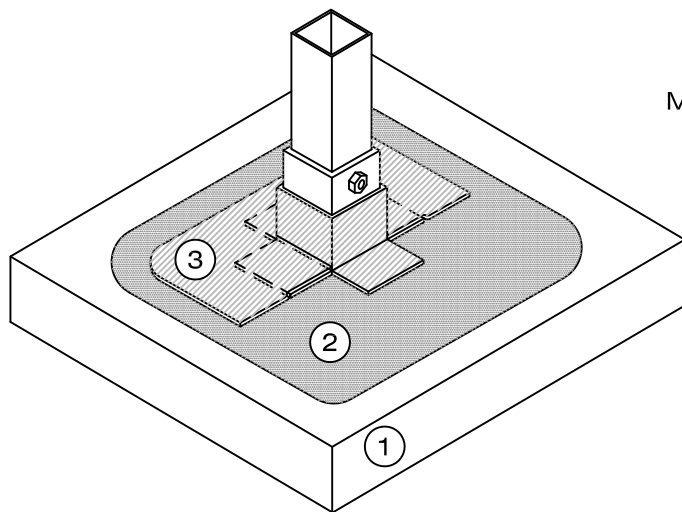


AQUA-BLOC PUMA MEMBRANE LAYERS



— AQUA-BLOC PUMA RESIN  
 — HE195 - POLYESTER FABRIC  
 — AQUA-BLOC PUMA RESIN

- ① PREPARED SUBSTRATE
- ② AQUA-BLOC PUMA PRIMER
- ③ REINFORCED AQUA-BLOC PUMA MEMBRANE
- ④ FIELD MEMBRANE



AQUA-BLOC PUMA

SCALE: N.T.S.

CONCRETE DECK

03-17-17

**SQUARE PIPE  
 DETAIL**

**PUMA-2**