

Hydro Tex™

Two-Ply Drainable Water Resistive Air Barrier

Submittal Packet

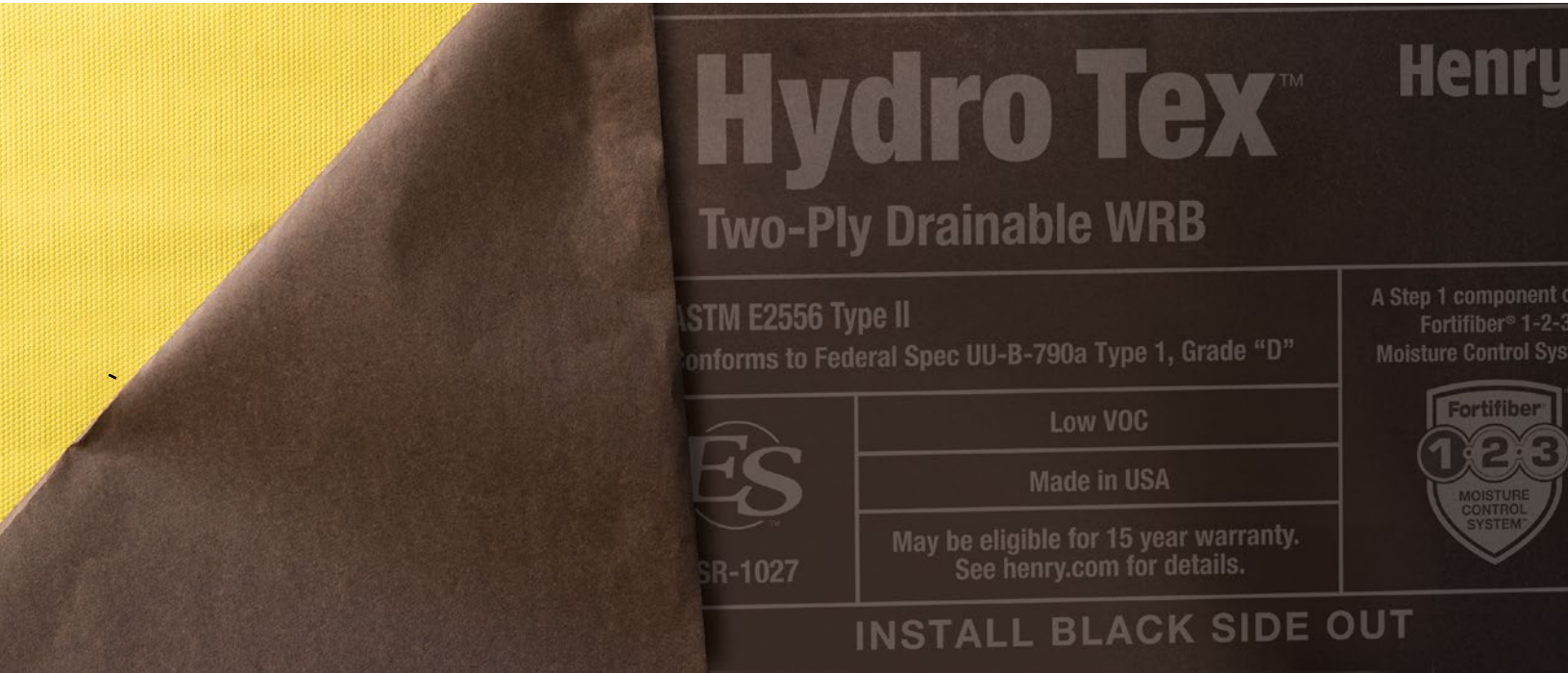


Table of Contents

Hydro Tex™ Two-Ply Drainable Water Resistive Air Barrier

Technical Data Sheet

Membrane

Hydro Tex™ Two-Ply Drainable Water-Resistive Barrier.....	3
---	---

Flashing Options

Moistop E-Z Seal®.....	5
FortiFlash®.....	7
Moistop® PF.....	9
Henry® Blueskin® Butyl Flash.....	11
FortiFlex® Butyl.....	13
Henry® Fortiflash® Butyl Flashing.....	15
Henry® Air-Bloc® LF Liquid-Applied Flashing.....	17

Rainscreen Option

WeatherSmart® Rainscreen.....	20
-------------------------------	----

Sealant Options

Moistop® Sealant.....	22
-----------------------	----

Safety Data Sheet

Hydro Tex™ Two-Ply Drainable Water-Resistive Barrier.....	24
---	----

Architectural Details

Hydro Tex™ Two-Ply Drainable Water-Resistive Barrier - All Details.....	28
---	----

Sample Warranty

Henry® 1-2-3 Moisture Control System™ Warranty.....	49
Standard Product Warranty.....	50

Product Certification

ICC-ES Evaluation Report.....	51
-------------------------------	----



A step 1 component of the Henry® 1-2-3 Moisture Control System™



Henry® Two-Ply Hydro Tex™ Drainable Weather-Resistive Barrier

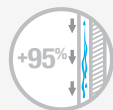


Two superior products in a single roll

Henry® Two-Ply Hydro Tex™ combines our **Super Jumbo Tex® 60 Minute** building paper with our **WeatherSmart® Drainable** drainage wrap, bringing these two proven layers of protection together in one roll. **Hydro Tex** delivers much higher drainage performance than standard dual-ply weather-resistive barriers and saves the labor cost of wrapping the building twice with two separate products.

Hydro Tex is designed to protect homes and commercial buildings from the internal wall damage caused by water intrusion and is backed by an industry-leading 15-year warranty that covers defective product and provides materials PLUS labor for warranted repairs when used as part of the Henry® 1-2-3 Moisture Control System™.

Features and benefits



More than 95% drainage efficiency



Excellent balance between water resistance and permeability



Crush-resistant drainable pattern



Labor saving two-ply protection in one pass

Performance standards you can trust

Hydro Tex is a scientifically advanced barrier combined with a professional Grade “D” building paper, designed for use within a variety of exterior wall assemblies. It provides excellent protection from wall damage due to water intrusion and condensation.

Physical/performance property	Typical value	Test method
Moisture vapor transmission	49.8 g/sm/day (7.6 perms)	ASTM E96
Drainage efficiency	> 95% Pass	ASTM E2273
Water resistance	>120 minutes	ASTM D779
Tensile strength	MD - 80 lb./inch CD - 30 lb./inch	ASTM D828

**Hydro Tex is tested in accordance with ASTM International procedures. The values shown are typical values obtained in these tests.*

Product characteristics

Composition	Asphalt-saturated kraft Grade “D” breather type sheathing paper and spunbond polypropylene breathable fabric coated with a non-perforated breathable barrier layer
Roll size	40" x 48.6 lineal feet.
Weight	7.4 lbs per 100 sq. ft.

Product approvals, certifications and specifications

Complies with the International Code Council Evaluation Services Acceptance Criteria for Water Resistive Barriers (AC 38)
Complies as an alternative to the water-resistive barrier specified in Section 1404.2 of the International Building Code® (IBC)
Complies as an alternative to the weather-resistant sheathing papers specified in Section R703.2 of the International Residential Building Code® (IRC)
Exceeds Federal Specification UU-B-790a, Type 1, Grade “D”, Style 2
Exceeds ASTM E2556 Type II performance requirements
ICC Evaluation Service Report 1027
ASTM D779 – Standard Test Method for Water Resistance of Paper, Paperboard, and Other Sheet Materials by the Dry Indicator Method
ASTM D828 – Tensile Properties of Paper and Paperboard Using Constant-Rate-of-Elongation Apparatus
ASTM E96 – Standard Test Method for Water Vapor Transmission of Materials
ASTM E2273 – Standard Test Method for Determining the Drainage Efficiency of Exterior Insulation and Finish Systems (EIFS) Clad Wall Assemblies
ASTM E2556 – Standard Specification for Vapor Flexible Sheet Water-Resistive Barriers Intended for Mechanical Attachment

Limitations: Product should be covered as soon as possible. Inspect product to insure it is free of any protrusions or damage which may detract from the weather-resistive barrier integrity. Holes, tears or punctures should be sealed with Moistop® Sealant or Henry Sheathing Tape. This product is not recommended for horizontal, roofing or below grade applications.

Installation: Hydro Tex should be installed in accordance with the local applicable building code. Weather-resistive barriers should be applied horizontally, with the upper layers overlapping the lower layer by a minimum of 2" (3" is recommended), and all vertical joints should be lapped a minimum of 6". Ensure that the Super Jumbo Tex side (black layer) is installed to the outside. Do not tape horizontal or vertical seams.

Availability: Henry products are distributed nationwide. For product information and pricing, please call a Henry distributor near you. If you need assistance locating a participating distributor, please call our Customer Service Department at 1-800-773-4777.

Henry Product Warranty Information: This product may be eligible for the 15-year Henry 1-2-3 Moisture Control System Warranty when used in conjunction with other products. See <https://us.henry.com/warranty> for details.

We, the manufacturer, warrant only that this product is free of defects, since many factors which affect the results obtained from this product – such as weather, workmanship, equipment utilized, and prior condition of the substrate – are all beyond our control. We will replace at no charge any product proved to have a material defect within 12-months of purchase, provided it has been applied in accordance with our written directions for uses we recommend as suitable for this product. Proof of purchase must be provided.

DISCLAIMER OF WARRANTIES AND LIMITATION OF LIABILITY: THIS LIMITED WARRANTY IS IN LIEU OF ANY OTHER WARRANTIES, EXPRESS OR IMPLIED, INCLUDING BUT NOT LIMITED TO ANY IMPLIED WARRANTY OF MERCHANTABILITY OR FITNESS FOR A PARTICULAR PURPOSE. NO ONE, INCLUDING THE MANUFACTURER, SHALL HAVE ANY LIABILITY OF ANY KIND BEYOND PRODUCT REPLACEMENT, INCLUDING FOR NEGLIGENCE OR FOR DIRECT, CONSEQUENTIAL, EXEMPLARY OR INCIDENTAL DAMAGES, RESULTING FROM ANY MISUSE, DEFECTS OR DELAYS CAUSED BY REPLACEMENT OR OTHERWISE. IF PURCHASER DOES NOT ACCEPT THESE TERMS, PURCHASER MAY RETURN WITHIN 30-DAYS OF PURCHASE ALL UNOPENED CONTAINERS OR PACKAGES OF PRODUCT PURCHASED FOR A FULL REFUND. RETENTION OF PRODUCT BEYOND 30-DAYS, OR USE OF PRODUCT SHALL CONSTITUTE ACCEPTANCE OF THESE TERMS, CONDITIONS, AND DISCLAIMERS. THIS LIMITED WARRANTY AND LIABILITY DISCLAIMER PROVIDES THE PURCHASER'S EXCLUSIVE REMEDY FOR ANYTHING RELATING TO THE PRODUCT.

To the extent that any part of this LIMITED PRODUCT WARRANTY AND LIABILITY DISCLAIMER is determined unenforceable under the law of the place of purchase of the product, that part is severed and the remainder of these terms remain in full force and effect. To the extent permitted by law, the duration of any implied warranties is limited to the duration of Henry's express warranty.

This warranty language supersedes any language found elsewhere, including product labels, sell sheets and/or technical documents.



Featuring a range of compatible weather barriers, flashings and sealants, the Henry® 1-2-3 Moisture Control System™ makes it easier than ever to build with confidence.

Henry, Building Envelope Systems, HydroTex, Moistop, WeatherSmart and Super Jumbo Tex are registered trademarks of the Henry Company.

Henry®

Building Envelope Systems®
Wall & Window | Roof | Foundation

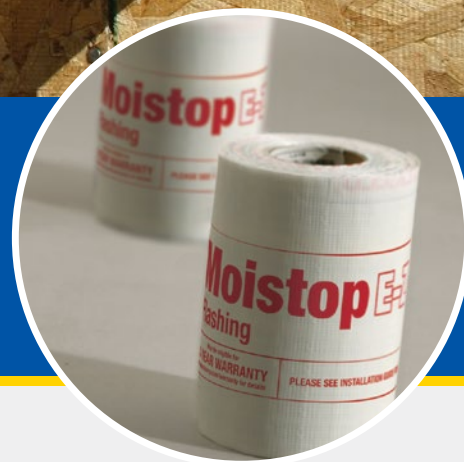
Ask us today about other Henry® solutions that help manage the flow of water, air, vapor and energy.



A step 2 component of the Henry® 1-2-3 Moisture Control System™



Henry® Moistop E-Z Seal® Flashing



Industry-leading moisture protection

An industry benchmark in self-adhesive flashing, **Henry® Moistop E-Z Seal®** helps eliminate moisture intrusion that can lead to related structural failures, mold and mildew.

With its unique construction and reinforced polymer membrane, **Moistop E-Z Seal** rises above the competition. Featuring a 3" adhesive backing strip, the flashing enables trouble-free, secure attachment to structures, while making it exceptionally easy to integrate the non-adhered portion with the weather-resistive barrier.

As part of the Henry® 1-2-3 moisture control system, **Moistop E-Z Seal** is designed to withstand the rigors of the job site and the elements, and is backed by an industry leading 15-year material PLUS labor warranty.

Features and benefits



Ultra-high performance water barrier designed to withstand extreme wind-driven weather conditions



One of the strongest adhesives in the industry, bonding reliably to plywood, OSB and aluminum, as well as wood and vinyl windows.



Complies with ASTM D779, providing water resistance for up to 150 hours

Performance standards you can trust

Moistop E-Z Seal Flashing is tested in accordance with ASTM International procedures. It is a premium, self-adhesive, flashing membrane designed to prevent incidental moisture intrusion around windows and doors.

Physical/performance property	Typical value	Test method
Water vapor permeance	<0.1 perms (<0.3 g/m ² /day)	ASTM E96 (A)
Water resistance	150 hours	ASTM D779
Tensile strength	MD - 30 lb./inch CD - 35 lb./inch	ASTM D882
Adhesion	Steel - 9 lbs./in Backing - 6 lbs./in Plywood - 5 lbs./in	PSTC1
Mold growth	0 Fungal Growth	ASTM G21
Application temperature	40 °F to 120 °F (4.4 °C to 48.9 °C)	
Service temperature	-40 °F to 176 °F (-40 °C to 80 °C)	

*Moistop E-Z Seal is tested in accordance with ASTM International procedures. The values shown are typical values obtained in these tests..

Product characteristics

Composition	Reinforced polymer membrane coated with a 3" self-adhesive strip. The adhesive layer is protected by an easy-to-remove release liner. The 4" product is fully backed with adhesive. Thickness is 25 mils (with adhesive); 10 mils (reinforced membrane only).
Roll size	6", 9" and 12" x 75'
Weight (lbs. per roll)	4 (6", 9") 5 (12")

Product approvals, specifications and certifications

ASTM D779 - Standard Test Method for Water Resistance of Paper, Paperboard, and Other Sheet Materials by the Dry Indicator Method
ASTM D882 - Standard Test Method for Tensile Properties of Thin Plastic Sheeting
ASTM E96 - Water Vapor Transmission of Materials
ASTM G21 - Standard Practice for Determining Resistance of Synthetic Polymeric Materials to Fungi
PSTC1 - Peel Adhesion of Single Coated Tapes, 180 Degree Peel
AAMA 711 - Voluntary Specification for Self Adhering Flashing Used for Installation of Exterior Wall Fenestration Products
Complies as flexible flashing specified in Chapter 14 of the International Building Code and Chapter 7 of the International Residential Code



Featuring a range of compatible weather barriers, flashings and sealants, the Henry® 1-2-3 Moisture Control System by makes it easier than ever to build with confidence.

Henry, Moistop E-Z Seal, and Building Envelope Systems are registered trademarks of the Henry Company

Limitations: For optimum adhesion, Moistop E-Z Seal should be applied at temperatures between 40 °F (4.4 °C) and 120 °F (48.9 °C). Product should not be installed horizontally or at a slope of less than 60°. Product should be covered as soon as possible. Maximum exposure is 60 days. Moistop E-Z Seal is not compatible with some sealants. Test for compatibility prior to use. Moistop E-Z Seal is compatible with Moistop® Sealant.

Installation: Prior to installation, surfaces should be dry and cleaned free of any dirt or other substances that may interfere with adhesion, as well as any sharp protrusions. Surfaces shall have no voids, damaged or unsupported areas. Repair surfaces before installing membrane. To apply, peel away the release film and place E-Z Seal onto substrate. Apply firm pressure with a metal or wood roller along the entire adhesive strip to ensure a continuous seal.

Henry Product Warranty Information: This product may be eligible for the 15-year Henry 1-2-3 Moisture Control System Warranty when used in conjunction with other products. See <https://us.henry.com/warranty> for details.

We, the manufacturer, warrant only that this product is free of defects, since many factors which affect the results obtained from this product – such as weather, workmanship, equipment utilized, and prior condition of the substrate – are all beyond our control. We will replace at no charge any product proved to have a material defect within 12-months of purchase, provided it has been applied in accordance with our written directions for uses we recommend as suitable for this product. Proof of purchase must be provided.

DISCLAIMER OF WARRANTIES AND LIMITATION OF LIABILITY: THIS LIMITED WARRANTY IS IN LIEU OF ANY OTHER WARRANTIES, EXPRESS OR IMPLIED, INCLUDING BUT NOT LIMITED TO ANY IMPLIED WARRANTY OF MERCHANTABILITY OR FITNESS FOR A PARTICULAR PURPOSE. NO ONE, INCLUDING THE MANUFACTURER, SHALL HAVE ANY LIABILITY OF ANY KIND BEYOND PRODUCT REPLACEMENT, INCLUDING FOR NEGLIGENCE OR FOR DIRECT, CONSEQUENTIAL, EXEMPLARY OR INCIDENTAL DAMAGES, RESULTING FROM ANY MISUSE, DEFECTS OR DELAYS CAUSED BY REPLACEMENT OR OTHERWISE. IF PURCHASER DOES NOT ACCEPT THESE TERMS, PURCHASER MAY RETURN WITHIN 30-DAYS OF PURCHASE ALL UNOPENED CONTAINERS OR PACKAGES OF PRODUCT PURCHASED FOR A FULL REFUND. RETENTION OF PRODUCT BEYOND 30-DAYS, OR USE OF PRODUCT SHALL CONSTITUTE ACCEPTANCE OF THESE TERMS, CONDITIONS, AND DISCLAIMERS. THIS LIMITED WARRANTY AND LIABILITY DISCLAIMER PROVIDES THE PURCHASER'S EXCLUSIVE REMEDY FOR ANYTHING RELATING TO THE PRODUCT.

To the extent that any part of this LIMITED PRODUCT WARRANTY AND LIABILITY DISCLAIMER is determined unenforceable under the law of the place of purchase of the product, that part is severed and the remainder of these terms remain in full force and effect. To the extent permitted by law, the duration of any implied warranties is limited to the duration of Henry's express warranty.

This warranty language supersedes any language found elsewhere, including product labels, sell sheets and/or technical documents.

Henry®

Building Envelope Systems®
Wall & Window | Roof | Foundation

Ask us today about other Henry® solutions that help manage the flow of water, air, vapor and energy.



A step 2 component of the Henry® 1-2-3 Moisture Control System™



Henry® FortiFlash® Waterproof Flashing Membrane



Premium protection against water intrusion

Henry® FortiFlash® Waterproof Flashing Membrane is engineered to deliver long-lasting, cost-effective protection against water intrusion in the most demanding environments. Featuring self-adhesive installation, **FortiFlash** is ideal for use around windows and doors, as well as non-roofing horizontal applications such as pot shelves, parapets, sill pans and recessed windows.

FortiFlash Waterproof Flashing Membrane is easy to use on the jobsite and is backed by an industry-leading 15-year warranty that covers defective product and provides materials PLUS labor for warranted repairs when used as part of the Henry® 1-2-3 Moisture Control System™.

Features and benefits

-  Highly cost-effective protection against moisture
-  Optimal adhesion allows flashing to remain in place without mechanical fasteners
-  Self-seals around nails and fasteners for lasting watertightness
-  Exceptional tear resistance
-  AAMA 711 compliant
-  Compatible with Moistop® Sealant

Performance standards you can trust

FortiFlash Waterproof Flashing Membrane features a self-sealing rubberized asphalt core and is designed for use as a concealed flashing in frame construction where a waterproof membrane is required.

Physical/performance property	Typical value		Test method
	25 MIL	40 MIL	
Application temperature	40 °F to 120 °F (4.4 °C to 48.9 °C)		-
Service temperature	-40 °F to 149 °F (-40 °C to 65 °C)		-
Lap adhesion	9.3 lb./inch	10 lb./inch	ASTM D903
Puncture resistance	40 lb _f		ASTM E154
Water vapor permeance	<0.08 perms	<0.05 perms	ASTM E96
Water resistance	>200 hours		ASTM D779

*FortiFlash is tested in accordance with ASTM International procedures. The values shown are typical values obtained in these tests.

Product characteristics

Composition	Asphalt adhesive that is laminated to polyolefin film reinforcement with a silicized paper release sheet.	
Roll size	4", 6", 9", 12", 18" or 36" x 75'	
	25 MIL	40 MIL
Weight (lbs. per roll)	3.8 (4")	5.7 (4")
	5.7 (6")	8.6 (6")
	8.5 (9")	13 (9")
	11.4 (12")	17 (12")
	15 (18")	26 (18")
	30 (36")	52 (36")

Product approvals, certifications and specifications

Complies with the International Code Council Evaluation Services Acceptance Criteria for Flashing Materials (AC 148)
Complies as flexible flashing specified in Chapter 14 of the International Building Code and Chapter 7 of the International Residential Code
ASTM D412 - Standard Test Methods for Vulcanized Rubber and Thermoplastic Rubbers and Thermoplastic Elastomers-Tension
ASTM D779 - Standard Test Method for Water Resistance of Paper, Paperboard and Other Sheet Materials by the Dry Indicator Method
ASTM D903 - Peel or Stripping Strength of Adhesive Bonds
ASTM E96 - Water Vapor Transmission of Materials
ASTM E154 - Standard Test Methods for Water Vapor Retarders Used in Contact with Earth Under Concrete Slabs, on Walls, or as Ground Cover
AAMA 711 - Voluntary specification for self-adhering flashing



Featuring a range of compatible weather barriers, flashings and sealants, the Henry® 1-2-3 Moisture Control System™ makes it easier than ever to build with confidence.

Henry, Building Envelope Systems, and FortiFlash are registered trademarks of the Henry Company

Limitations: For optimum adhesion, FortiFlash should be applied at temperatures between 40 °F (4.4 °C) and 120 °F (48.9 °C). Be cautious about using FortiFlash where it can be exposed to temperatures above its Service Temperature such as hot climates or behind fiber cement and metal sidings that absorb a significant amount of heat. Product should be covered as soon as possible (exposure not to exceed 60 days). Inspect product to ensure it is free of any damage which may compromise its moisture-resistive properties. FortiFlash is not compatible with EPDM or flexible (plasticized) Polyvinyl Chloride (PVC) based membranes. Where installed horizontally or with a slope of less than 60° do not use fasteners. FortiFlash also is not compatible with some sealants. Consult with sealant manufacturer for compatibility information. Direct exposure of sealant to the adhesive side of FortiFlash can be detrimental if the amount of sealant exceeds what is specified in Henry's installation guide. Please follow installation guide recommendations regarding location and amount of sealant to be used. Henry strongly recommends using Moistop® Sealant for any installation where sealant may come in contact with the FortiFlash adhesive.

Installation: Prior to installation, surfaces should be dry and cleaned free of any dirt or other substances that may interfere with adhesion, as well as any sharp protrusions. Surfaces shall have no voids, damaged, or unsupported areas. Repair surfaces before installing membrane. Primer must be used over some substrates including gypsum board (including Dens-Glass Gold), concrete and masonry. For all other substrates field test a small sample of FortiFlash prior to application. If adhesion is inadequate, apply Aquatac™ Primer or 3M Super 77® Spray Adhesive according to the manufacturer's application instructions. Areas not covered with membrane the same day must be re-primed.

To apply FortiFlash, peel away the release paper and press membrane firmly over substrate, applying sufficient pressure with a metal or wood roller along the entire membrane to ensure a continuous seal.

Availability: Henry products are distributed nationwide. For product information and pricing, please call a Henry distributor near you. If you need assistance locating a participating distributor, please call our Customer Service Department at 1-800-773-4777.

Henry Product Warranty Information: This product may be eligible for the 15-year Henry 1-2-3 Moisture Control System Warranty when used in conjunction with other products. See <https://us.henry.com/warranty> for details.

We, the manufacturer, warrant only that this product is free of defects, since many factors which affect the results obtained from this product – such as weather, workmanship, equipment utilized, and prior condition of the substrate – are all beyond our control. We will replace at no charge any product proved to have a material defect within 12-months of purchase, provided it has been applied in accordance with our written directions for uses we recommend as suitable for this product. Proof of purchase must be provided.

DISCLAIMER OF WARRANTIES AND LIMITATION OF LIABILITY: THIS LIMITED WARRANTY IS IN LIEU OF ANY OTHER WARRANTIES, EXPRESS OR IMPLIED, INCLUDING BUT NOT LIMITED TO ANY IMPLIED WARRANTY OF MERCHANTABILITY OR FITNESS FOR A PARTICULAR PURPOSE. NO ONE, INCLUDING THE MANUFACTURER, SHALL HAVE ANY LIABILITY OF ANY KIND BEYOND PRODUCT REPLACEMENT, INCLUDING FOR NEGLIGENCE OR FOR DIRECT, CONSEQUENTIAL, EXEMPLARY OR INCIDENTAL DAMAGES, RESULTING FROM ANY MISUSE, DEFECTS OR DELAYS CAUSED BY REPLACEMENT OR OTHERWISE. IF PURCHASER DOES NOT ACCEPT THESE TERMS, PURCHASER MAY RETURN WITHIN 30-DAYS OF PURCHASE ALL UNOPENED CONTAINERS OR PACKAGES OF PRODUCT PURCHASED FOR A FULL REFUND. RETENTION OF PRODUCT BEYOND 30-DAYS, OR USE OF PRODUCT SHALL CONSTITUTE ACCEPTANCE OF THESE TERMS, CONDITIONS, AND DISCLAIMERS. THIS LIMITED WARRANTY AND LIABILITY DISCLAIMER PROVIDES THE PURCHASER'S EXCLUSIVE REMEDY FOR ANYTHING RELATING TO THE PRODUCT.

To the extent that any part of this LIMITED PRODUCT WARRANTY AND LIABILITY DISCLAIMER is determined unenforceable under the law of the place of purchase of the product, that part is severed and the remainder of these terms remain in full force and effect. To the extent permitted by law, the duration of any implied warranties is limited to the duration of Henry's express warranty.

This warranty language supersedes any language found elsewhere, including product labels, sell sheets and/or technical documents.

Henry®

Building Envelope Systems®
Wall & Window | Roof | Foundation

Ask us today about other Henry® solutions that help manage the flow of water, air, vapor and energy.



A step 2 component of the Henry® 1-2-3 Moisture Control System™



Henry® Moistop PF® Flashing



Industry-leading moisture protection

Specifically engineered to exceed building requirements for mechanically attached flashing materials, **Henry® Moistop PF®** is a multi-layer composite featuring heavy-duty polypropylene to protect against water intrusion in windows, doors and other vertical through-wall penetrations.

The unique construction of **Moistop PF** makes it ideal for installation over OSB or plywood, making it easy to integrate with any weather resistive barrier. Designed to resist heavy wind and rain, it effectively contains costs while protecting structures.

Moistop PF is designed to withstand the rigors of the job site and the elements and is backed by an industry-leading 15-year warranty that covers defective product and provides materials PLUS labor for warranted repairs when used as part of the Henry® 1-2-3 Moisture Control System™.

Features and benefits



Multi-layer, heavy-duty polypropylene woven fabric resists cracking and curling – before and after installation



Superior water protection helps eliminate water intrusion that can lead to structural failures, mold and mildew



Extraordinary durability and tear resistance allow it to withstand extreme jobsite abuse

Performance standards you can trust

Moistop PF Flashing is tested in accordance with ASTM International procedures. It is a durable flashing membrane designed to prevent incidental moisture intrusion around windows and doors.

Physical/performance property	Typical value	Test method
Water vapor permeance	0.02 perms	ASTM E96 (A)
Water resistance	>130 hours	ASTM D779
Tensile strength	MD - 107 lb./inch CD - 76 lb./inch	ASTM D882
Trapezoidal Tear	MD - 51 lb./inch CD - 41 lb./inch	ASTM D4533
Mold growth	0 Fungal Growth	ASTM G21
Application temperature	40 °F to 120 °F (4.4 °C to 48.9 °C)	

**Moistop PF is tested in accordance with ASTM International procedures. The values shown are typical values obtained in these tests.*

Product characteristics

Composition	Strong 6 mil multilayer composite of heavy-duty woven polypropylene fabric, coated on both sides with ultraviolet-resistant polypropylene.
Roll size	6", 9", 12" and 18" x 300'
Weight (lbs. per roll)	3.75 (6") 5.6 (9") 7.5 (12") 11.25 (18")

Product approvals, certifications and specifications

ASTM D779 - Standard Test Method for Water Resistance of Paper, Paperboard, and Other Sheet Materials by the Dry Indicator Method
ASTM D882 - Standard Test Method for Tensile Properties of Thin Plastic Sheeting
ASTM D4533 - Standard Test Method for Trapezoid Tearing Strength of Geotextiles
ASTM E96 - Water Vapor Transmission of Materials
ASTM G21 - Standard Practice for Determining Resistance of Synthetic Polymeric Materials to Fungi
AAMA 712 - Voluntary Specification for Mechanically Attached Flexible Flashing



Featuring a range of compatible weather barriers, flashings and sealants, the Henry® 1-2-3 Moisture Control System™ makes it easier than ever to build with confidence.

Henry, Building Envelope Systems, Moistop and Moistop PF are registered trademarks of the Henry Company

Limitations: Moistop PF should not be installed horizontally or at a slope of less than 60°. The product should be covered as soon as possible. Inspect product to insure it is free of any protrusions or damage which may compromise its moisture-resistive properties.

Installation: For optimum performance, Moistop PF should be installed in conjunction with Moistop® Sealant. In a typical window installation, Moistop PF is first applied at the sill and jambs of the window openings using exterior grade fasteners. Moistop Sealant is applied to window flanges and windows are installed. Sealant is then applied continuously along the face of window head mounting flange, and Moistop PF is embedded in the sealant along the head of the window.

Availability: Henry products are distributed nationwide. For product information and pricing, please call a Henry distributor near you. If you need assistance locating a participating distributor, please call our Customer Service Department at 1-800-773-4777.

Henry Product Warranty Information: This product may be eligible for the 15-year Henry 1-2-3 Moisture Control System Warranty when used in conjunction with other products. See <https://us.henry.com/warranty> for details.

We, the manufacturer, warrant only that this product is free of defects, since many factors which affect the results obtained from this product – such as weather, workmanship, equipment utilized, and prior condition of the substrate – are all beyond our control. We will replace at no charge any product proved to have a material defect within 12-months of purchase, provided it has been applied in accordance with our written directions for uses we recommend as suitable for this product. Proof of purchase must be provided.

DISCLAIMER OF WARRANTIES AND LIMITATION OF LIABILITY: THIS LIMITED WARRANTY IS IN LIEU OF ANY OTHER WARRANTIES, EXPRESS OR IMPLIED, INCLUDING BUT NOT LIMITED TO ANY IMPLIED WARRANTY OF MERCHANTABILITY OR FITNESS FOR A PARTICULAR PURPOSE. NO ONE, INCLUDING THE MANUFACTURER, SHALL HAVE ANY LIABILITY OF ANY KIND BEYOND PRODUCT REPLACEMENT, INCLUDING FOR NEGLIGENCE OR FOR DIRECT, CONSEQUENTIAL, EXEMPLARY OR INCIDENTAL DAMAGES, RESULTING FROM ANY MISUSE, DEFECTS OR DELAYS CAUSED BY REPLACEMENT OR OTHERWISE. IF PURCHASER DOES NOT ACCEPT THESE TERMS, PURCHASER MAY RETURN WITHIN 30-DAYS OF PURCHASE ALL UNOPENED CONTAINERS OR PACKAGES OF PRODUCT PURCHASED FOR A FULL REFUND. RETENTION OF PRODUCT BEYOND 30-DAYS, OR USE OF PRODUCT SHALL CONSTITUTE ACCEPTANCE OF THESE TERMS, CONDITIONS, AND DISCLAIMERS. THIS LIMITED WARRANTY AND LIABILITY DISCLAIMER PROVIDES THE PURCHASER'S EXCLUSIVE REMEDY FOR ANYTHING RELATING TO THE PRODUCT.

To the extent that any part of this LIMITED PRODUCT WARRANTY AND LIABILITY DISCLAIMER is determined unenforceable under the law of the place of purchase of the product, that part is severed and the remainder of these terms remain in full force and effect. To the extent permitted by law, the duration of any implied warranties is limited to the duration of Henry's express warranty.

This warranty language supersedes any language found elsewhere, including product labels, sell sheets and/or technical documents.

Henry®

Building Envelope Systems®
Wall & Window | Roof | Foundation

Ask us today about other Henry® solutions that help manage the flow of water, air, vapor and energy.



TECHNICAL DATA SHEET
Blueskin® Butyl Flash
Self-Adhered Flashing

Physical Property	Typical Value	Test Method
Color	White	-
Thickness, nominal	19 mils (0.48 mm)	-
Application Temperature, min	+25° F (-4° C)	-
Service Temperature	-40° F to +180° F (-40° C to +82° C)	-
Elongation, min	825%	ASTM D882
Tensile Strength, min	2500 psi (17237 kPa)	ASTM D882
Low Temperature Flexibility @ -7° C (20° F)	Pass	ASTM D1970
Nail Sealability	Pass	ASTM D1970

Description

Blueskin® Butyl Flash is a self-adhered flashing consisting of a synthetic butyl compound which is integrally laminated to a white engineered polypropylene film surface. It is specifically designed to be self-adhered to a prepared substrate.

Features

- Impermeable to air, moisture vapor and water
- Easy self-adhered application
- Self-sealing when punctured
- Excellent cold weather adhesion
- Highly flexible making installation easy

Usage

Blueskin® Butyl Flash is designed for use as a concealed self-adhered flashing against water, air and moisture infiltration. **Blueskin® Butyl Flash** is commonly used to provide a weather tight seal around fenestrations, joints in sheathing, and as a general flashing in residential and commercial construction.

Application

Surface Prep: Substrates should be dry and clean of oil, dust, excess mortar and sharp protrusions. Concrete surfaces must be cured a minimum of 14 days. Acceptable substrates are precast concrete, cast-in-place concrete, concrete block, primed steel, aluminum mill finish, anodized aluminum, galvanized metal, gypsum board and wood. For best adhesion onto Oriented Strand Board (OSB), install the panel with the smooth side out. Strike masonry joints flush. Concrete surfaces must be smooth and without large voids, spalled areas or sharp protrusions. Where curing compounds are used, they must be clear resin-based without oil, wax or pigments.

For best possible adhesion results or when applying to concrete or masonry, apply **Blueskin® Spray Prep** or **Aquatac™** primer and allow to thoroughly dry before **Blueskin® Butyl Flash** is applied. Coated surfaces not covered by flashing during the working day must be recoated.

Apply: Position **Blueskin® Butyl Flash** for alignment with release paper in place; roll back, peel away release paper and press firmly over substrate. Apply pressure along entire surface once in place to ensure a strong bond. The best method to ensure full contact is to roll entire surface with a countertop roller. Orient laps in shingle fashion to shed water with a minimum of 50 mm (2") on both side and end laps. When using membrane with brick ties, position flashing, press in place and cut for ties or projections.

Limitations: **Blueskin® Butyl Flash** is designed for exposure of up to 150 days, but is not designed for permanent exposure to ultra-violet light and should be covered as soon as practical after application. It is compatible with rigid PVC/vinyl membranes as well as many sealants. For best results, use **Henry® 925 BES Sealant** for general use or **Henry® 212 Crystal Clear Sealant** as a termination sealant. Solvent based sealants should never be covered until fully cured.

Blueskin® Butyl Flash is not compatible with EPDM, flexible PVC, or similarly plasticized vinyl membranes.

Blueskin® Butyl Flash Self-Adhered Flashing

Packaging

4" x 75' (10 cm x 23 m)
6" x 75' (15.2 cm x 23 m)
9" x 75' (22.8 cm x 23 m)
12" x 75' (30.5 cm x 23 m)

Storage

Store rolls on end, in original packaging. Protect from weather or store in an enclosed area not subject to heat over 120° F (49° C).

For more information, visit www.henry.com or for technical assistance call us at 800-486-1278. For more information on Henry's® product warranty and liability disclaimer please visit www.henry.com/warranty. Refer to the Safety Data Sheet prior to using this product. The Safety Data Sheet is available at www.henry.com or by emailing Henry® Product Support at productsupport@henry.com or by calling 800-486-1278.

Henry and Blueskin are registered trademarks of Henry Company

The technical and application information herein is based on the present state of our best scientific and practical knowledge. As the information herein is of a general nature, no assumption can be made as to a product's suitability for a particular use or application and no warranty as to its accuracy, reliability or completeness either expressed or implied is given other than those required by law. The user is responsible for checking the suitability of products for their intended use. Henry® Company data sheets are updated on a regular basis; it is the user's responsibility to obtain and to confirm the most recent version. Information contained in this data sheet may change without notice.

Henry® Company, 999 N. Pacific Coast Hwy., Ste. 800 El Segundo, CA 90245
Tel: 800-486-1278 **Email:** techservices@henry.com
www.henry.com

Revision Date: 10/31/2018



A step 2 component of the Henry® 1-2-3 Moisture Control System™



Henry® FortiFlex® Butyl Waterproof Flashing Membrane



Flashing that's ahead of the curve

Windows and doors are often the most vulnerable spots for moisture penetration, and arched designs present additional challenges. **FortiFlex® Butyl Flexible Flashing Membrane** can handle them. Designed to provide highly-conformable protection against moisture intrusion in curved openings, sill pans and more, **FortiFlex Butyl** features an advanced hybrid butyl compound for high tack even in low temperatures. Its high-performance, lightweight creped film delivers exceptional stretch and durability, plus minimal bunching at tight corners.

As part of the Henry® 1-2-3 moisture control system™, **FortiFlex Butyl** is backed by an industry-leading 15-year material PLUS labor warranty.

Features and benefits



Self-seals around nails and fasteners for lasting watertightness



Can be installed at temperatures as low as 10 °F (-12 °C), keeping projects on schedule even during winter months



Split-back release for easier handling of wide sizes



Advanced adhesive allows flashing to remain in place without mechanical fasteners



Resists UV exposure for up to one year



AAMA 711 compliant

Performance standards you can trust

FortiFlex Butyl Flexible Flashing Membrane is tested in accordance with ASTM International procedures. It is a flexible, conformable, self-adhesive flexible flashing designed to prevent incidental moisture intrusion around windows and doors.

Physical/performance property	Typical value	Test method
Tensile strength	MD - 225psi CD - 330psi	AAMA 711 Sec 5.1
Nail sealability	Pass	AAMA 711
Service temperature	-40 °F to 200 °F	AAMA 711 (Modified)
Application temperature	10 °F to 150 °F	-
Water vapor permeance	<0.1 perms	ASTM E96 (A)
Low temperature flexibility	Pass	ASTM D1970
Water resistance	>24 hours	ASTM D779

*FortiFlex Butyl is tested in accordance with ASTM International procedures. The values shown are typical values obtained in these tests.

Product characteristics

Composition	A hybrid butyl adhesive laminated to high-performance creped film.
Roll size	6" x 50' 9" x 50'
Weight (lbs. per roll)	6 (6") 9 (9")
Thickness	54 mil

Product approvals, certifications and specifications

ASTM D779 - Standard Test Method for Water Resistance of Paper, Paperboard and Other Sheet Materials by the Dry Indicator Method
ASTM D1970 - Standard Specification for Self-Adhering Polymer Modified Bituminous Sheet Materials Used as Steep Roofing Underlayment for Ice Dam Protection: Low Temperature Flexibility
ASTM E2112 - Standard Practice for Installation of Exterior Windows, Doors and Skylights
AAMA 711 - Voluntary Specification for Self Adhering Flashing Used for Installation of Exterior Wall Fenestration Products
Complies as flexible flashing specified in Chapter 14 of the International Building Code and Chapter 7 of the International Residential Code



Featuring a range of compatible weather barriers, flashings and sealants, the Henry® 1-2-3 Moisture Control System™ makes it easier than ever to build with confidence.

Henry, Building Envelope Systems, and FortiFlex are registered trademarks of the Henry Company

Limitations: For optimum performance, FortiFlash Butyl should be applied at temperatures between 10 °F (-12 °C) and 150 °F (66 °C). Maximum service temperature is 200 °F (93 °C). Product should be covered as soon as practical; maximum exposure 12 months. FortiFlex Butyl may not be compatible with some sealants. Test for compatibility before using any sealants. Performance is guaranteed with Moistop® Sealant and Liquid Flashing, which adheres to, and is compatible with FortiFlex Butyl when installed per Henry instructions. FortiFlex Butyl is not compatible with EPDM or flexible (plasticized) Polyvinyl Chloride (PVC) based membranes.

Installation: Position FortiFlex Butyl for alignment with release film in place. Roll back, peel away release film and press membrane firmly over substrate. When membrane is entirely in place, apply pressure along entire membrane to ensure a strong bond. The best method to ensure full contact is to roll entire surface with a J Roller. Orient laps in shingle fashion to shed water with a minimum of 2 in. (50 mm) on both side and end laps. (When using membrane with brick ties, position membrane, press in place and cut for ties or projections.) FortiFlex Butyl can be used without primer on dry and clean substrates when the temperature is above 10 °F (-12 °C). For best possible adhesion results or when applying to concrete or masonry, prime substrate with Aquatac primer.

Availability: Henry products are distributed nationwide. For product information and pricing, please call a Henry distributor near you. If you need assistance locating a participating distributor, please contact our Customer Service Department at 1-800-773-4777.

Henry Product Warranty Information: This product may be eligible for the 15 year Henry 1-2-3 Moisture Control System Warranty when used in conjunction with other products. See <https://us.henry.com/warranty> for details.

We, the manufacturer, warrant only that this product is free of defects, since many factors which affect the results obtained from this product – such as weather, workmanship, equipment utilized, and prior condition of the substrate – are all beyond our control. We will replace at no charge any product proved to have a material defect within 12-months of purchase, provided it has been applied in accordance with our written directions for uses we recommend as suitable for this product. Proof of purchase must be provided.

DISCLAIMER OF WARRANTIES AND LIMITATION OF LIABILITY: THIS LIMITED WARRANTY IS IN LIEU OF ANY OTHER WARRANTIES, EXPRESS OR IMPLIED, INCLUDING BUT NOT LIMITED TO ANY IMPLIED WARRANTY OF MERCHANTABILITY OR FITNESS FOR A PARTICULAR PURPOSE. NO ONE, INCLUDING THE MANUFACTURER, SHALL HAVE ANY LIABILITY OF ANY KIND BEYOND PRODUCT REPLACEMENT, INCLUDING FOR NEGLIGENCE OR FOR DIRECT, CONSEQUENTIAL, EXEMPLARY OR INCIDENTAL DAMAGES, RESULTING FROM ANY MISUSE, DEFECTS OR DELAYS CAUSED BY REPLACEMENT OR OTHERWISE. IF PURCHASER DOES NOT ACCEPT THESE TERMS, PURCHASER MAY RETURN WITHIN 30-DAYS OF PURCHASE ALL UNOPENED CONTAINERS OR PACKAGES OF PRODUCT PURCHASED FOR A FULL REFUND. RETENTION OF PRODUCT BEYOND 30-DAYS, OR USE OF PRODUCT SHALL CONSTITUTE ACCEPTANCE OF THESE TERMS, CONDITIONS, AND DISCLAIMERS. THIS LIMITED WARRANTY AND LIABILITY DISCLAIMER PROVIDES THE PURCHASER'S EXCLUSIVE REMEDY FOR ANYTHING RELATING TO THE PRODUCT.

To the extent that any part of this LIMITED PRODUCT WARRANTY AND LIABILITY DISCLAIMER is determined unenforceable under the law of the place of purchase of the product, that part is severed and the remainder of these terms remain in full force and effect. To the extent permitted by law, the duration of any implied warranties is limited to the duration of Henry's express warranty.

This warranty language supersedes any language found elsewhere, including product labels, sell sheets and/or technical documents.

Henry®

Building Envelope Systems®
Wall & Window | Roof | Foundation

Ask us today about other Henry® solutions that help manage the flow of water, air, vapor and energy.



A step 2 component of the Henry® 1-2-3 Moisture Control System™



Henry® FortiFlash® Butyl Flashing Membrane

Maximum protection against water intrusion

Henry® FortiFlash® Butyl Waterproof Flashing Membrane delivers exceptional protection against water intrusion in even the most demanding environments. Advanced butyl adhesive provides a tight bond and can withstand extreme temperatures (250 °F).

Wider sizes feature a split-back release liner for easy installation, **FortiFlash Butyl Waterproof Flashing Membrane** provides a strong, self-sealing barrier that protects windows, doors and through-wall penetrations, as well as non-roofing horizontal applications such as pot shelves, parapets, sill pans and recessed windows.

FortiFlash Butyl Waterproof Flashing Membrane is designed to withstand the rigors of the jobsite and the elements. When used as part of the Henry® 1-2-3 Moisture Control System™ it is backed by an industry-leading 15-year material PLUS labor warranty for product defects.

Features and benefits



Self-seals around nails and fasteners for lasting watertightness



Can be installed at temperatures as low as 25 °F (-4 °C), keeping projects on schedule even during winter months



Split-back release for easier handling of wide sizes



Compatible with Moistop® Sealant



Advanced adhesive allows flashing to remain in place without mechanical fasteners



AAMA 711 compliant

Performance standards you can trust

Henry FortiFlash Butyl Waterproof Flashing Membrane is tested in accordance with ASTM procedures. It is a high-performing self-adhesive waterproof membrane, designed for use as a concealed flashing in frame construction where a waterproof membrane is required.

Physical/performance property	Typical value		Test method
	20 MIL	30 MIL	
Tensile strength	MD - 70 lb./in CD - 70 lb./in	MD - 92 lb./in CD - 85 lb./in	AAMA 711 Sec 5.1
Nail sealability	Pass		AAMA 711 Sec 5.2
90° Peel adhesion			
Plywood	5.9 lb./in		AAMA 711 Sec 5.3
OSB	2.0 lb./in		
Facer	6.0 lb./in		
Service temperature	-40 °F to 250 °F		-
Application temperature	25 °F to 125 °F		-
Water resistance	>200 hours		ASTM D779

*FortiFlash Butyl is tested in accordance with ASTM procedures. The values shown are typical values obtained in these tests.

Product characteristics

Composition	Polypropylene facer film, all-butyl adhesive (contains no asphalt) and a paper release liner. The 9" and 12" sizes have a split release feature providing the capability to remove each portion of the release sheet separately.	
	20 MIL	30 MIL
Roll size	4" x 75' 6" x 75' 9" x 75' 12" x 75' 18" x 75'	9" x 75' 12" x 75' 18" x 75'
Weight (lbs. per roll)	3.75 (4") 5.6 (6") 8.5 (9") 11.5 (12")	12.75 (9") 17.25 (12") 25 (18")

Product approvals, certifications and specifications

ASTM D779 - Standard Test Method for Water Resistance of Paper, Paperboard and Other Sheet Materials by the Dry Indicator Method
ASTM D1970 - Standard Specification for Self-Adhering Polymer Modified Bituminous Sheet Materials Used as Steep Roofing Underlayment for Ice Dam Protection
ASTM E2112 - Standard Practice for Installation of Exterior Windows, Doors and Skylights
AAMA 711 - Voluntary Specification for Self Adhering Flashing Used for Installation of Exterior Wall Fenestration Products
Complies as flexible flashing specified in Chapter 14 of the International Building Code and Chapter 7 of the International Residential Code



Featuring a range of compatible weather barriers, flashings and sealants, the Henry® 1-2-3 Moisture Control System makes it easier than ever to build with confidence.

Henry, and FortiFlash are registered trademarks of the Henry Company

Limitations: For optimum performance, FortiFlash Butyl should be applied at temperatures between 25 °F and 125 °F. Product should be covered within 90 days of application. Inspect the product to ensure it is free of any damage that may compromise its moisture-resistive properties. Where installed horizontally or with a slope of less than 60° do not use fasteners.

Installation: Prior to installation, surfaces should be dry and cleaned free of any dirt or other substances that may interfere with adhesion, as well as any sharp protrusions. Surfaces shall have no voids, damaged, or unsupported areas. Repair surfaces before installing the membrane. Primer must be used over some substrates including gypsum board (including Dens-Glass Gold), concrete and masonry. For all other substrates field test a small sample of FortiFlash Butyl prior to application. If adhesion is inadequate, apply Aquatac™ Primer according to the manufacturer's application instructions. Areas not covered with membrane the same day must be re-primed.

Availability: Henry products are distributed nationwide. For product information and pricing, please call a Henry distributor near you. If you need assistance locating a participating distributor, please contact our Customer Service Department at 1-800-773-4777.

Henry Product Warranty Information: This product may be eligible for the 15 year Henry 1-2-3 Moisture Control System Warranty when used in conjunction with other products. See <https://us.henry.com/warranty> for details.

We, the manufacturer, warrant only that this product is free of defects, since many factors which affect the results obtained from this product – such as weather, workmanship, equipment utilized, and prior condition of the substrate – are all beyond our control. We will replace at no charge any product proved to have a material defect within 12-months of purchase, provided it has been applied in accordance with our written directions for uses we recommend as suitable for this product. Proof of purchase must be provided.

DISCLAIMER OF WARRANTIES AND LIMITATION OF LIABILITY: THIS LIMITED WARRANTY IS IN LIEU OF ANY OTHER WARRANTIES, EXPRESS OR IMPLIED, INCLUDING BUT NOT LIMITED TO ANY IMPLIED WARRANTY OF MERCHANTABILITY OR FITNESS FOR A PARTICULAR PURPOSE. NO ONE, INCLUDING THE MANUFACTURER, SHALL HAVE ANY LIABILITY OF ANY KIND BEYOND PRODUCT REPLACEMENT, INCLUDING FOR NEGLIGENCE OR FOR DIRECT, CONSEQUENTIAL, EXEMPLARY OR INCIDENTAL DAMAGES, RESULTING FROM ANY MISUSE, DEFECTS OR DELAYS CAUSED BY REPLACEMENT OR OTHERWISE. IF PURCHASER DOES NOT ACCEPT THESE TERMS, PURCHASER MAY RETURN WITHIN 30-DAYS OF PURCHASE ALL UNOPENED CONTAINERS OR PACKAGES OF PRODUCT PURCHASED FOR A FULL REFUND. RETENTION OF PRODUCT BEYOND 30-DAYS, OR USE OF PRODUCT SHALL CONSTITUTE ACCEPTANCE OF THESE TERMS, CONDITIONS, AND DISCLAIMERS. THIS LIMITED WARRANTY AND LIABILITY DISCLAIMER PROVIDES THE PURCHASER'S EXCLUSIVE REMEDY FOR ANYTHING RELATING TO THE PRODUCT.

To the extent that any part of this LIMITED PRODUCT WARRANTY AND LIABILITY DISCLAIMER is determined unenforceable under the law of the place of purchase of the product, that part is severed and the remainder of these terms remain in full force and effect. To the extent permitted by law, the duration of any implied warranties is limited to the duration of Henry's express warranty.

This warranty language supersedes any language found elsewhere, including product labels, sell sheets and/or technical documents.

Henry®

Building Envelope Systems®
Wall & Window | Roof | Foundation

Ask us today about other Henry® solutions that help manage the flow of water, air, vapor and energy.

Physical Property	Typical Value	Test Method
Color	Blue	-
Application Temperature	20°F to +110°F (-7°C to +43°C)	-
Service Temperature	-40°F to +200°F (-40°C to +93°C)	-
Drying Time @ 50% R.H. 68°F (20°C)	Skin Time @ 25 mils (0.6 mm): 1-2 hours Cure Time @ 25 mils(0.6 mm): 24 hours	-
Elongation, min	264%	ASTM D412, modified
Tensile Strength, min	132 psi (910 kPa)	ASTM D412, modified
Crack Bridging	Pass	ASTM C1305
VOC Content, max	<25 g/L	-
Hardness, Shore A	30-35	ASTM C661
Corrosive Properties	Non-corrosive	-
Nail Sealability	Pass	AAMA 711
Asphalt Compatibility	Pass	AAMA 713
Low Temperature Flexibility @ -22°F (-30°C)	Pass	CGSB 37-GP-56M, ASTM D552
Water Vapor Permeance	12 mils: 22.9 perms 25 mils: 21.8 perms 40 mils: 10.6 perms	ASTM E96, Method B
Moisture Absorption	0.1%	ASTM D570-81
Water Resistance	Pass	AC212, ASTM D2247
Air Leakage @75 Pa	≤ 0.004 CFM/ft ² (≤ 0.02 L/[sm ²])	ASTM E2178
Adhesion	Peel after UV: >5 lbs/in (875 N/m) Peel after High Temp : >5 lbs/in (875 N/m) Peel after Water Immersion: >5 lbs/in (875 N/m) Peel after Thermal Cycling: >5 lbs/in (875 N/m)	AAMA 711
Flame Spread	20, Class A	ASTM E84
Smoke Developed	5, Class A	ASTM E84
Solids by Volume	95%	-

Description

Air-Bloc® LF is a moisture cure single-component elastomeric liquid-applied flashing using a highly advanced Silyl-Terminated Polyether (STPE) polymer. It is designed to cure through reaction with airborne moisture to provide a heavy-duty seamless rubber-like impervious membrane with excellent weathering and water resistance.

Features

- Fast curing, high solids and single component
- Low VOC, low odor
- Excellent compatibility with all Henry® air barriers and components, including rubberized asphalt
- Easy to install, no special equipment required

Usage

Air-Bloc® LF is designed for use as a concealed air barrier flashing to protect against air, water and moisture penetration around windows and doors for commercial and residential construction.

Application

Surface Prep: Substrates should be dry and clean of oil, dust, excess mortar and sharp protrusions, standing water and frost. Concrete surfaces must be cured a minimum of 14 days. Damp concrete is acceptable but must not be wet. Acceptable substrates are precast concrete, cast-in-place concrete, concrete block, primed steel, aluminum mill finish, anodized aluminum, galvanized metal, exterior-grade gypsum board, OSB and plywood. Strike masonry joints flush. Concrete surfaces must be smooth and without large voids, spalled areas or sharp protrusions. Where curing compounds are used, they must be clear resin based, without oil, wax

Air-Bloc® LF Liquid-Applied Flashing

or pigments.

Fill open joints, seams and cracks wider than 1/8" (3 mm) up to 1/2" (13 mm) with **925 BES Sealant** or **Air-Bloc® LF** prior to final application of **Air-Bloc® LF**.

Apply: Apply **Air-Bloc® LF** to substrate in a serpentine fashion using appropriate caulking gun and then spread using a trowel, joint knife or roller to achieve a monolithic membrane over the rough opening surfaces. Regularly monitor wet mil thickness during application to assure adequate coverage. **Air-Bloc® LF** can be applied in a single coat.

Spread uncured **Air-Bloc® LF** to cover the inside of the rough opening and extend a minimum of 4" (100 mm) over the surface of the exterior wall. If a continuous air barrier such as **Air-Bloc®** or **Blueskin®** air barriers are used over the exterior wall, overlap **Air-Bloc® LF** a minimum of 2" (50 mm) over adjacent membranes.

Coverage Rates: Apply per published architectural specifications. Typical application rates include:

- **Smooth Surfaces** such as exterior gypsum sheathing or formed concrete: 10 ft² (0.9 m²) per 20 oz (0.6 L) sausage to give a wet film thickness of 25 mils (0.6 mm)
- **Rough Surfaces** such as CMU: 6 ft² (0.6 m²) per 20 oz (0.6 L) sausage to give a wet film thickness of 40 mils (1 mm)

		Coverage (Linear Feet)					
		Wet Film Thickness (mils)					
		15	20	25	30	35	40
Width (inches)	1	201	150	120	100	86	75
	2	100	75	60	50	43	38
	3	67	50	40	33	29	25
	4	50	38	30	25	21	19
	5	40	30	24	20	17	15
	6	33	25	20	17	14	13
	12	17	13	10	8	7	6

Per 20 oz. (0.6L) sausages

		Coverage (Linear Meters)					
		Wet Film Thickness (mils)					
		15	20	25	30	35	40
Width (cm)	2.5	61.1	45.8	36.7	30.6	26.2	22.9
	5	30.6	22.9	18.3	15.3	13.1	11.5
	7.5	20.4	15.3	12.2	10.2	8.7	7.6
	10	15.3	11.5	9.2	7.6	6.5	5.7
	12.7	12.2	9.2	7.3	6.1	5.2	4.6
	15	10.2	7.6	6.1	5.1	4.4	3.8
	100	1.6	1.2	0.9	0.8	0.7	0.6

Per 20 oz. (0.6L) sausages

The above reference chart is based on theoretical coverage calculations for a smooth surface. Rough surfaces can reduce coverage rates significantly depending on texture and porosity of surface.

Limitations: **Air-Bloc® LF** can be exposed for up to 6 months but is not designed for permanent exposure to ultra-violet light and should be covered as soon as practical after application. Application at temperatures below 40°F (4°C) will slow curing. In low humidity conditions, curing may be aided by lightly misting **Air-Bloc® LF** with water.

Many silicone sealants show excellent adhesion to **Air-Bloc® LF**. Contact the sealant manufacturer for more information.

Packaging

20 oz (0.6 L) sausages

Storage

Shelf life of **Air-Bloc® LF** is 12 months in unopened containers when stored in dry conditions. Protect from weather or store in an enclosed area not subject to heat over 80°F (27°C). Packaging should always be kept sealed when not in use.

For more information, visit www.henry.com or for technical assistance call us at 800-486-1278. For more information on Henry's® product warranty and liability disclaimer please visit www.henry.com/warranty. Refer to the Safety Data Sheet prior to using this product. The Safety Data Sheet is available at www.henry.com or by emailing Henry® Product Support at productsupport@henry.com or by calling 800-486-1278.

® Henry and Air-Bloc are registered trademarks of Henry Company

The technical and application information herein is based on the present state of our best scientific and practical knowledge. As the information herein is of a general nature, no assumption can be made as to a product's suitability for a particular use or application and no warranty as to its accuracy, reliability or completeness either expressed or implied is given other than those required by law. The user is responsible for checking the suitability of products for their intended use. Henry® Company data sheets are updated on a regular basis; it is the user's responsibility to obtain and to confirm the most recent version. Information contained in this data sheet may change without notice.



An accessory component of the Henry® 1-2-3 Moisture Control System™

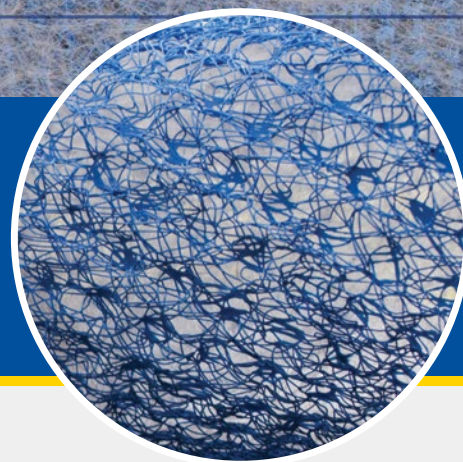
SUPER Jumbo
Weather-Resistive

ASTM E2556 Type II
Conforms to Federal
UU-B-790a Type 1



WeatherSmart
Rainscreen
www.henry.com

Henry® WeatherSmart® Rainscreen



Durable drainage and ventilation







Moisture will eventually find its way into any wall assembly, but **Henry® WeatherSmart® Rainscreen** gets moisture out of the wall system to prevent mold and rot.

Compatible with all standard cladding types, **WeatherSmart Rainscreen** provides a 6mm gap between cladding and weather-resistive barrier, creating space for ventilation. The 3D matrix polypropylene strands channel water down and out of the wall assembly and the built-in fabric protects the gap from debris. The result is faster drying wall assemblies and reduced risk of unhealthy mold, rot and mildew.

WeatherSmart Rainscreen is an accessory to the Henry® 1-2-3 Moisture Control System™ of flashings, weather-resistive barriers and sealants. All system components can be used together with confidence.

WeatherSmart Rainscreen may carry a 15-year warranty.

Features and benefits

-  Creates gap between weather-resistive barrier and cladding that enhances ventilation and improves drying
-  Serves as a protective layer between stucco and weather-resistive barrier
-  Compression-resistant polypropylene strands channel water down and out of wall system
-  Reduces risk of mold and mildew for better building health
-  Meets code requirements (6mm)
-  Compatible with all standard cladding types

Performance standards you can trust

WeatherSmart Rainscreen is an advanced rainscreen system featuring a 3D matrix of heavy polypropylene strands with a fabric backing that provides a fast-drying gap for reliable drainage and ventilation.

Physical/performance property	Typical value	Test method
Flamespread	Class A	ASTM E84
Drainage efficiency	>94%	ASTM 2925
Air ventilation	1.27 L/s @ 10 Pa	ASTM D2950

*WeatherSmart Rainscreen is tested in accordance with ASTM International procedures. The values shown are typical values obtained in these tests.

Product characteristics

Gap height (core thickness)	6mm (.24 inches)
Total thickness	7.1mm
Mat (core) composition	Polypropylene
Fabric composition	Nylon and Polyester
Roll size	39" x 61.6 lineal ft.
Roll weight	13.6 lbs.

Product approvals, certifications and specifications

ASTM E84 - Standard Test Method for Surface Burning Characteristics of Building Materials
ASTM 2925 - Standard Specification for Manufactured Polymeric Drainage and Ventilation Materials Used to Provide a Rainscreen Function
ASTM D2950 - Standard Test Method for Density of Bituminous Concrete in Place by Nuclear Methods



Featuring a range of compatible weather barriers, flashings and sealants, the Henry® 1-2-3 Moisture Control System™ makes it easier than ever to build with confidence.

Henry, Building Envelope Systems, and WeatherSmart are registered trademarks of the Henry Company

Limitations: Consult local building codes and regulations prior to installation. For use on vertical, above grade walls only. Not for roofs or below grade installations. Cover rainscreen as soon as possible, exposure not to exceed 30 days. Exterior finish materials should be installed according to manufacturer's installation guidelines. Butt edges together to maintain a flat surface; do not overlap 3D matrix.

Installation: Install over weather-resistive barrier (WRB) with fabric side facing out after windows and doors have been installed and flashed. Begin at the bottom of the wall with fabric flap facing down and fasten to sheathing or studs using non-corrosive nails or staples. Avoid fastening through flashing or weep screeds and do not over-fasten. Butt edges together to maintain a flat surface; do not overlap 3D matrix.

To prevent insects from getting inside the air gap at the base of the wall, fold the filter fabric flap around the bottom of the rainscreen and tuck between the entangled filaments and the WRB. Place the second course of rainscreen with the fabric flap at the bottom. Butt top edge of bottom course matrix to the bottom edge of the matrix on the new course, maintaining a flat surface. The fabric edge of the new course should overlap the 3D matrix of the prior course in shingle fashion. Use this method for remaining courses. For the last course, rainscreen can be applied so the fabric edge is at the top. The fabric can be tucked behind the 3D matrix in front of the WRB to screen out insects. If installing with stucco or masonry, install rainscreen over weather-resistive barrier with fabric side facing out to prevent stucco from blocking drainage. Use tape to secure any seams that are not lapped with the fabric flap to prevent stucco from getting behind rainscreen. Lath can be installed directly on top of rainscreen.

Availability: Henry products are distributed nationwide. For product information and pricing, please call a Henry distributor near you. If you need assistance locating a participating distributor, please call our Customer Service Department at 1-800-773-4777.

Henry Product Warranty Information: This product may be eligible for the 15-year Henry 1-2-3 Moisture Control System Warranty when used in conjunction with other products. See <https://us.henry.com/warranty> for details.

We, the manufacturer, warrant only that this product is free of defects, since many factors which affect the results obtained from this product – such as weather, workmanship, equipment utilized, and prior condition of the substrate – are all beyond our control. We will replace at no charge any product proved to have a material defect within 12-months of purchase, provided it has been applied in accordance with our written directions for uses we recommend as suitable for this product. Proof of purchase must be provided.

DISCLAIMER OF WARRANTIES AND LIMITATION OF LIABILITY: THIS LIMITED WARRANTY IS IN LIEU OF ANY OTHER WARRANTIES, EXPRESS OR IMPLIED, INCLUDING BUT NOT LIMITED TO ANY IMPLIED WARRANTY OF MERCHANTABILITY OR FITNESS FOR A PARTICULAR PURPOSE. NO ONE, INCLUDING THE MANUFACTURER, SHALL HAVE ANY LIABILITY OF ANY KIND BEYOND PRODUCT REPLACEMENT, INCLUDING FOR NEGLIGENCE OR FOR DIRECT, CONSEQUENTIAL, EXEMPLARY OR INCIDENTAL DAMAGES, RESULTING FROM ANY MISUSE, DEFECTS OR DELAYS CAUSED BY REPLACEMENT OR OTHERWISE. IF PURCHASER DOES NOT ACCEPT THESE TERMS, PURCHASER MAY RETURN WITHIN 30-DAYS OF PURCHASE ALL UNOPENED CONTAINERS OR PACKAGES OF PRODUCT PURCHASED FOR A FULL REFUND. RETENTION OF PRODUCT BEYOND 30-DAYS, OR USE OF PRODUCT SHALL CONSTITUTE ACCEPTANCE OF THESE TERMS, CONDITIONS, AND DISCLAIMERS. THIS LIMITED WARRANTY AND LIABILITY DISCLAIMER PROVIDES THE PURCHASER'S EXCLUSIVE REMEDY FOR ANYTHING RELATING TO THE PRODUCT.

To the extent that any part of this LIMITED PRODUCT WARRANTY AND LIABILITY DISCLAIMER is determined unenforceable under the law of the place of purchase of the product, that part is severed and the remainder of these terms remain in full force and effect. To the extent permitted by law, the duration of any implied warranties is limited to the duration of Henry's express warranty.

This warranty language supersedes any language found elsewhere, including product labels, sell sheets and/or technical documents.

Henry®

Building Envelope Systems®
Wall & Window | Roof | Foundation

Ask us today about other Henry® solutions that help manage the flow of water, air, vapor and energy.



A step 3 component of the Henry® 1-2-3 Moisture Control System



Henry® Moistop® Sealant



Completely compatible moisture resistance

Designed to make weatherization easier and save time on the jobsite, **Henry® Moistop® Sealant** is both a moisture-resistant sealant and a flashing. Fully compatible with all Henry products, **Moistop Sealant** delivers excellent adhesion and moisture resistance on a wide range of building materials, surfaces and structures. It also provides flexible, gap-free flashing even around curved intrusions and can fill construction joints up to ½ inch thick.

Part of the Henry® 1-2-3 moisture control system, **Moistop Sealant** is designed to withstand the rigors of the jobsite and the elements, and is backed by an industry-leading 15-year material PLUS labor warranty.

Features and Benefits



Exceeds AAMA 808.3 and ASTM C920 standards



Optimal adhesion on most surfaces



Conforms to any shape and fills joints up to ½" wide



Paintable and durable



Excellent balance between water resistance and permeability

Performance standards you can trust

Moistop Sealant is continually tested in accordance with AAMA and ASTM procedures. It provides an exterior perimeter sealing compound for windows and doors that is compatible with most commonly used building materials.

Physical/performance property	Typical value	Test method
Peel adhesion:	20 lb/in Pass	ASTM C794 AAMA 799
Tensile maximum:	200 psi (1.38 N/mm ²)	ASTM D412
Elongation:	450%	ASTM D412
Max VOC:	9 g/l (.075 lbs/gal)	ASTM D3960
Hardness:	30 ±5	ASTM C661
Service temperature:	-40 °F to 180 °F (-40 °C to 82.2 °C)	-
Application temperature:	40 °F to 110 °F (4.4 °C to 43.3 °C)	-
Tack time:	<1 hour	1/4" (6.34 mm) diam. bead @ 77 °F (25 °C) 50% R.H.
Cure time:	24 hours	1/4" (6.34 mm) diam. bead @ 77 °F (25 °C) 50% R.H.
Movement capability	±25%	ASTM C719
Liquid applied flashing:	Pass	AAMA 714-15

*Moistop is continually tested in accordance with ASTM procedures. The values shown are typical values obtained in these tests.

Product characteristics

Composition	One component, moisture curing, non-sag, gun-grade elastomeric polymer for use as a sealant or liquid applied flashing.
--------------------	---

Approximate coverage (Ln. Ft. per 10 oz.)

	Sealant	Liquid applied flashing	
		25 mil	40 mil
3/8" Bead	30'	-	-
4" width	-	15'	10'
6" width	-	10'	6'

Product approvals and certifications

ASTM C920 Type S, Grade NS, Class 25, Use-NT, Use-A, Use-M, Use-G, Use-O
AAMA 808.3-92 (Exterior Perimeter Sealing Compound)
AAMA 714-15



Featuring a range of compatible weather barriers, flashings and sealants, the Henry® 1-2-3 Moisture Control System makes it easier than ever to build with confidence.

Henry and Moistop are registered trademarks of the Henry Company

Limitations: Not recommended for unprimed masonry joints that will be subjected to continuous water immersion; joints that are contaminated with grease, wax, corrosion or cement laitance; horizontal joints in floor or decks where physical abuse is encountered; special architectural finishes without proper testing. Not compatible with solvent-based paints.

Installation: Moistop Sealant should be applied when temperatures are between 40 °F and 112 °F. Do not apply to frost-bearing surfaces or when temperatures have been below freezing for more than 24 hours immediately prior to installation. Tooling techniques using solvents or soapy solutions are not recommended; sealant cannot be cleaned/tooled uncured with solvents (isopropyl alcohol is recommended). All surfaces must be evaluated for adhesion prior to product acceptance.

Compatibility and Adhesion: It is expected that Moistop Sealant will adhere and perform in uncontaminated joints with most common construction substrates. Substrates include but are not limited to concrete, exterior gypsum, stucco, EIFS, aluminum, galvanized surfaces, glass, wood and polyvinyl chloride (PVC). Due to the vast numbers and types of surface coatings and treatments available, Henry recommends pretesting Moistop Sealant on the surface in question. Sealant compatibility testing is not required for Henry's full line of flashing products and weather-resistive barriers. All surfaces should be clean and clear of any surface contamination. In the case of some exotic coatings, priming or other surface treatment may be necessary.

Shelf Life: Moistop Sealant will exhibit a ten (10) month shelf life when stored at temperatures not exceeding 75 °F. "Use by" date is printed on each tube.

Availability: Henry products are distributed nationwide. For product information and pricing, please call a Henry distributor near you. If you need assistance locating a participating distributor, please call our Customer Service Department at 1-800-773-4777.

Precautions: IF THIS PRODUCT IS USED IN DIRECT CONTACT WITH ANY OTHER SEALANT OR ELASTOMER, A COMPATIBILITY TEST MUST BE CONDUCTED BY PURCHASER OR USER, PRIOR TO ACCEPTANCE. MOISTOP SEALANT AND LIQUID FLASHING IS NOT COMPATIBLE WITH OXIME CONTAINING SILICONE SEALANTS. The suitability of this product, for each intended use, must be determined by the purchaser prior to acceptance. Avoid skin contact. On contact, uncured sealant could cause irritation to the skin and eyes. In the case of eye contact, flush immediately with warm water for at least 15 minutes and call a physician. For skin contact, remove with a towel and wash the affected area with a citrus-based hand cleaner. If swallowed, do not induce vomiting; call a physician. This product is manufactured for industrial use only. Refer to Safety Data Sheet (SDS) on the company's website at www.henry.com for further information. For medical emergency call Henry Technical Support at 800-773-4777.

Henry Product Warranty Information: This product may be eligible for the 15-year Henry 1-2-3 Moisture Control System Warranty when used in conjunction with other products. See <https://us.henry.com/warranty> for details.

We, the manufacturer, warrant only that this product is free of defects, since many factors which affect the results obtained from this product – such as weather, workmanship, equipment utilized, and prior condition of the substrate – are all beyond our control. We will replace at no charge any product proved to have a material defect within 12-months of purchase, provided it has been applied in accordance with our written directions for uses we recommend as suitable for this product. Proof of purchase must be provided.

DISCLAIMER OF WARRANTIES AND LIMITATION OF LIABILITY: THIS LIMITED WARRANTY IS IN LIEU OF ANY OTHER WARRANTIES, EXPRESS OR IMPLIED, INCLUDING BUT NOT LIMITED TO ANY IMPLIED WARRANTY OF MERCHANTABILITY OR FITNESS FOR A PARTICULAR PURPOSE. NO ONE, INCLUDING THE MANUFACTURER, SHALL HAVE ANY LIABILITY OF ANY KIND BEYOND PRODUCT REPLACEMENT, INCLUDING FOR NEGLIGENCE OR FOR DIRECT, CONSEQUENTIAL, EXEMPLARY OR INCIDENTAL DAMAGES, RESULTING FROM ANY MISUSE, DEFECTS OR DELAYS CAUSED BY REPLACEMENT OR OTHERWISE. IF PURCHASER DOES NOT ACCEPT THESE TERMS, PURCHASER MAY RETURN WITHIN 30-DAYS OF PURCHASE ALL UNOPENED CONTAINERS OR PACKAGES OF PRODUCT PURCHASED FOR A FULL REFUND. RETENTION OF PRODUCT BEYOND 30-DAYS, OR USE OF PRODUCT SHALL CONSTITUTE ACCEPTANCE OF THESE TERMS, CONDITIONS, AND DISCLAIMERS. THIS LIMITED WARRANTY AND LIABILITY DISCLAIMER PROVIDES THE PURCHASER'S EXCLUSIVE REMEDY FOR ANYTHING RELATING TO THE PRODUCT. To the extent that any part of this LIMITED PRODUCT WARRANTY AND LIABILITY DISCLAIMER is determined unenforceable under the law of the place of purchase of the product, that part is severed and the remainder of these terms remain in full force and effect. To the extent permitted by law, the duration of any implied warranties is limited to the duration of Henry's express warranty.

This warranty language supersedes any language found elsewhere, including product labels, sell sheets and/or technical documents.

Henry®

Building Envelope Systems®
Wall & Window | Roof | Foundation

Ask us today about other Henry® solutions that help manage the flow of water, air, vapor and energy.

Two-Ply Hydro Tex™

Protecting Your World from the Elements®

1. Product And Company Identification	
<p>Supplier Fortifiber Building Systems Group 300 Industrial Drive Fernley, NV 89408</p> <p>Company Contact: Technical Services Telephone Number: (800) 773-4777 Web Site: www.fortifiber.com</p>	<p>Product(s): Two- Ply Hydro Tex™</p>
<p>Issue Date: 08/23/2018 Supersedes: 10/13/2015</p> <p>Product Description Two-Ply weather-resistive barrier consisting of one layer of asphalt saturated kraft paper and one layer of polymeric housewrap.</p>	

2. Hazards Identification
<p>In the solid state the material is not considered a hazardous material as defined by 21 CFR 1910.1200 (b) (6) (v). This product meets the definition of an "Article" and is not subject to the regulations of the Hazardous Products Act.</p> <p>Eye Hazards N/A.</p> <p>Skin Hazards N/A.</p> <p>Ingestion Hazards Non-Toxic</p> <p>Inhalation Hazards N/A.</p> <p>Signs and Symptoms of Exposure None.</p> <p>Medical Conditions Generally Aggravated by Exposure None known.</p>

3. Composition/Information On Ingredients			
	Ingredient Name	CAS Number	Percent Of Total Weight
	Asphalt	8052-42-4	10-20
	Polypropylene	9003-07-0	<50

4. First Aid Measures

Eye

N/A.

Skin

N/A.

Ingestion

N/A.

Inhalation

N/A.

5. Fire Fighting Measures

Flash Point: >450°F

Auto Ignition Temperature: >450°F

Special Fire Fighting Instructions: The asphalt saturated paper requires that this product be treated as a fuel oil fire.

Method Used: Cleveland Cup.

Flammability Limits: LEL- Not Applicable.

Unusual Fire And Explosion: Hazards None. UEL – Not Applicable.

Extinguishing Media: Carbon Dioxide, Foam, Water, or Dry Chemical.

6. Accidental Release Measures

Not applicable for product in purchased form.

7. Handling And Storage

Safe Handling

Normal application will not expose the user of these articles to hazardous substance levels.

Safe Storage

Do not store near an open flame.

8. Exposure Controls/Personal Protection

Skin Protection

N/A.

Eye/Face Protection

N/A.

Ventilation

N/A.

Respiration Protection

N/A.

9. Physical And Chemical Properties

Appearance: Two-ply product consisting of a black asphalt saturated kraft layer and a yellow polymeric layer.
Boiling Point: N/A.
Melting Point: N/A.
Specific Gravity: >1.
Vapor Pressure: N/A.
Vapor Density: N/A.
Solubility: Negligible.
Odor: Asphalt odor.

10. Stability And Reactivity

Stability: Stable
Conditions to Avoid: Fire.
Materials to Avoid: None known.
Hazardous Polymerization: Not anticipated under normal use.
Hazardous Decomposition: Not anticipated under normal use.
Thermal Decomposition (Combustion): May produce carbon monoxide, carbon dioxide and hydrogen sulfide fumes.

11. Toxicological Information

Chronic/Carcinogenicity
None of the ingredients present in this product, at concentrations equal to or greater than 0.1%, have been determined to be carcinogenic by IARC, NTP or OSHA.

12. Ecological Information

There is no data on the ecotoxicity of this product. This product should not pose an ecological risk.

13. Disposal Considerations

Dispose in accordance with applicable federal, state and local government regulations.

14. Transport Information

Hazardous Material Proper Shipping Name: Not regulated by DOT.
Special Handling or Shipping Precautions: None required.
Hazard Class: Non-hazardous.
UN Identification Number: None.

15. Regulatory Information

SARA 313 Regulated Chemicals: This material does not contain any chemical components with known CAS numbers that exceed the threshold (De Minimis) reporting levels established by SARA Title III, Section 313.
Proposition 65: None of this products components are required to be labeled under California Proposition 65.

U.S. State Right-to-Know Regulations

Chemical Name	New Jersey	Massachusetts	Pennsylvania
Asphalt 8052-42-4	X	X	X

16. Other Information

This SDS Supersedes A Previous Form Dated: 10/13/2015.

Disclaimer

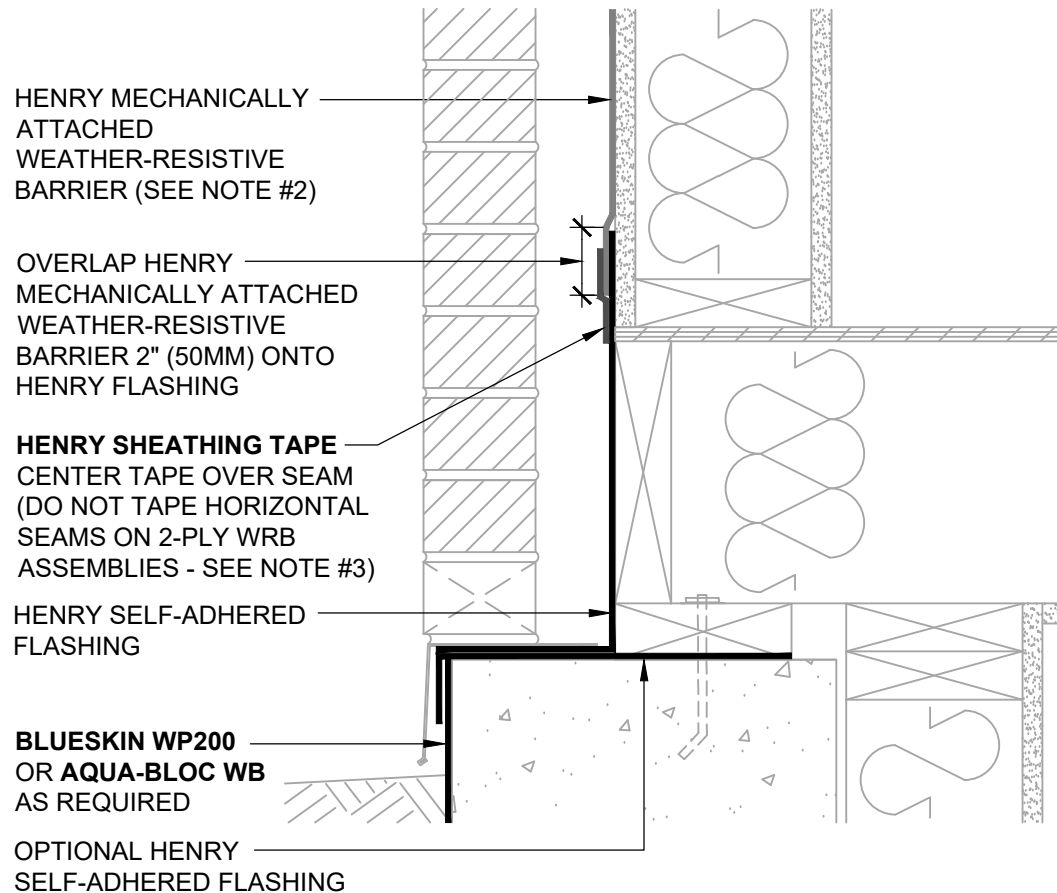
Although reasonable care has been taken in the preparation of this document, Fortifiber extends no warranties and make no representations as to the accuracy or completeness of the information contained therein, and assume no responsibility regarding the suitability of this information for the user's intended purposes or for the consequences of its use. Each individual should make a determination as to the suitability of the information for their particular purposes(s).



**HENRY 1-2-3 MOISTURE CONTROL SYSTEM
WEATHER-RESISTIVE BARRIER (WRB)
INSTALLATION GUIDELINES**

NOTES

1. VISIT WWW.HENRY.COM/WARRANTY FOR ELIGIBILITY REQUIREMENTS OF THE 15-YEAR RESIDENTIAL AND LIGHT COMMERCIAL HENRY 1-2-3 MOISTURE CONTROL SYSTEM WARRANTY.
2. THIS DETAIL IS SUITABLE FOR **WEATHERSMART, WEATHERSMART COMMERCIAL, WEATHERSMART DRAINABLE, WEATHERSMART D, HYDRO TEX, JUMBO TEX, SUPER JUMBO TEX 60 MIN, TWO-PLY JUMBO TEX, TWO-PLY SUPER JUMBO TEX 60 MIN, AND PLYDRY.**
3. INSTALL SHEATHING TAPE AT SEAMS TO CREATE AN AIR BARRIER ASSEMBLY AS REQUIRED. DO NOT TAPE HORIZONTAL SEAMS ON 2-PLY WRB ASSEMBLIES.
4. SEE PRODUCT SPECIFIC TECHNICAL DATA SHEET FOR ROLL SIZES, MAXIMUM UV EXPOSURE, COMPATIBILITY CONCERNS, APPLICATION TEMPERATURES AND SERVICE TEMPERATURE LIMITATIONS.
5. REFER TO THE PRODUCT SPECIFIC GUIDE SPECIFICATION FOR RECOMMENDED FLASHINGS.
6. OPTIONAL INTERIOR VAPOR BARRIER NOT SHOWN FOR CLARITY. REFER TO LOCAL CODE ORDINANCES FOR INSULATION AND VAPOR BARRIER REQUIREMENTS.
7. SELF-ADHERED MEMBRANES MAY REQUIRE A PRIMER FOR OPTIMAL ADHESION TO SOME SURFACES AND/OR SUBSTRATE TEMPERATURES. REFER TO PRODUCT SPECIFIC TECHNICAL DATA SHEET FOR PRIMER REQUIREMENTS.
8. ROLL SELF-ADHERED MEMBRANES TO OBTAIN CONTINUOUS ADHESION.
9. VERIFY WEATHER-RESISTIVE BARRIER IS FREE FROM PROTRUSIONS OR DAMAGE PRIOR TO CLADDING INSTALLATION.
10. CONTACT HENRY AT 800-773-4777 FOR TECHNICAL ASSISTANCE.



A CARLISLE COMPANY

999 N. Pacific Coast Highway, Suite 800
El Segundo, CA 90245
800-486-1278 • www.henry.com

**MECHANICALLY ATTACHED WEATHER-RESISTIVE BARRIER
WALL FOUNDATION**

**EXTERIOR WALL AND FOUNDATION TRANSITION
SLAB BELOW GRADE WITH MASONRY LEDGE**

MANUFACTURER INSTALLATION GUIDELINES ARE FOR REFERENCE ONLY. HENRY DOES NOT ASSUME RESPONSIBILITY FOR ERRORS OR DEVIATIONS IN DESIGN OR ENGINEERING. PROJECT SPECIFIC VERIFICATION IS RECOMMENDED PRIOR TO INSTALLATION. DETAILS ARE NOT TO SCALE. REFER TO PRODUCT SPECIFIC TECHNICAL DATA SHEET FOR PRODUCT INFORMATION, RECOMMENDED AUXILIARY COMPONENTS AND INSTALLATION INSTRUCTIONS.

05-31-2022

PAGE 1 OF 1

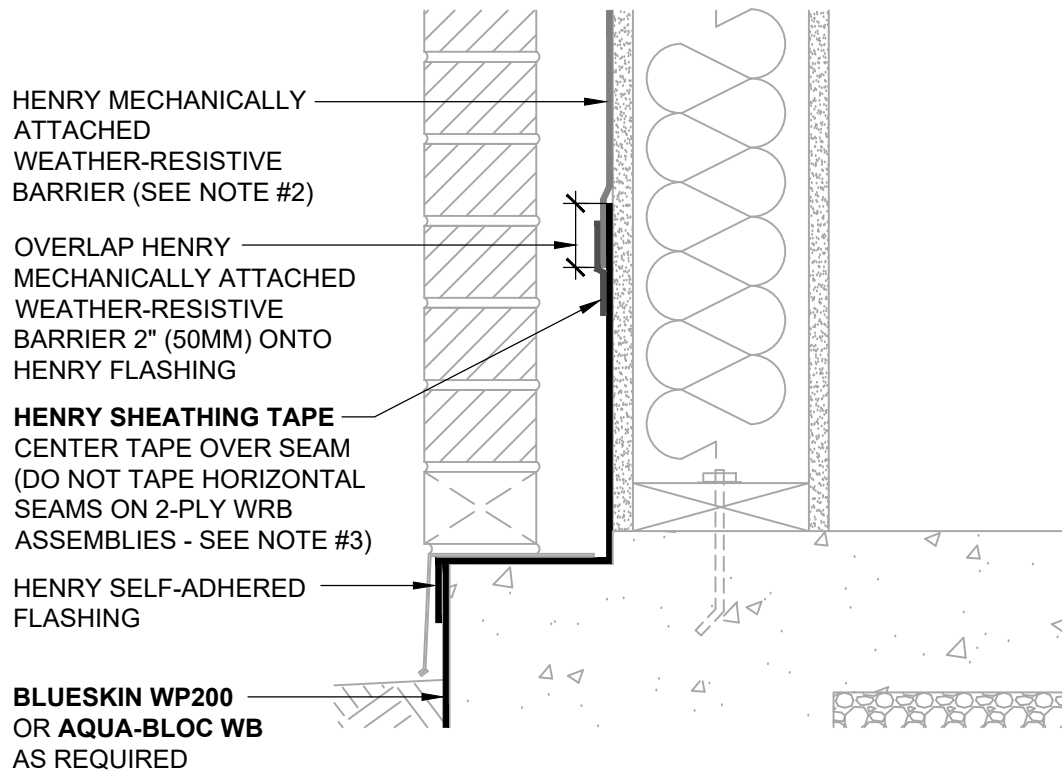
MAWRB-1A



**HENRY 1-2-3 MOISTURE CONTROL SYSTEM
WEATHER-RESISTIVE BARRIER (WRB)
INSTALLATION GUIDELINES**

NOTES

1. VISIT WWW.HENRY.COM/WARRANTY FOR ELIGIBILITY REQUIREMENTS OF THE 15-YEAR RESIDENTIAL AND LIGHT COMMERCIAL HENRY 1-2-3 MOISTURE CONTROL SYSTEM WARRANTY.
2. THIS DETAIL IS SUITABLE FOR **WEATHERSMART, WEATHERSMART COMMERCIAL, WEATHERSMART DRAINABLE, WEATHERSMART D, HYDRO TEX, JUMBO TEX, SUPER JUMBO TEX 60 MIN, TWO-PLY JUMBO TEX, TWO-PLY SUPER JUMBO TEX 60 MIN, AND PLYDRY.**
3. INSTALL SHEATHING TAPE AT SEAMS TO CREATE AN AIR BARRIER ASSEMBLY AS REQUIRED. DO NOT TAPE HORIZONTAL SEAMS ON 2-PLY WRB ASSEMBLIES.
4. SEE PRODUCT SPECIFIC TECHNICAL DATA SHEET FOR ROLL SIZES, MAXIMUM UV EXPOSURE, COMPATIBILITY CONCERNS, APPLICATION TEMPERATURES AND SERVICE TEMPERATURE LIMITATIONS.
5. REFER TO THE PRODUCT SPECIFIC GUIDE SPECIFICATION FOR RECOMMENDED FLASHINGS.
6. OPTIONAL INTERIOR VAPOR BARRIER NOT SHOWN FOR CLARITY. REFER TO LOCAL CODE ORDINANCES FOR INSULATION AND VAPOR BARRIER REQUIREMENTS.
7. SELF-ADHERED MEMBRANES MAY REQUIRE A PRIMER FOR OPTIMAL ADHESION TO SOME SURFACES AND/OR SUBSTRATE TEMPERATURES. REFER TO PRODUCT SPECIFIC TECHNICAL DATA SHEET FOR PRIMER REQUIREMENTS.
8. ROLL SELF-ADHERED MEMBRANES TO OBTAIN CONTINUOUS ADHESION.
9. VERIFY WEATHER-RESISTIVE BARRIER IS FREE FROM PROTRUSIONS OR DAMAGE PRIOR TO CLADDING INSTALLATION.
10. CONTACT HENRY AT 800-773-4777 FOR TECHNICAL ASSISTANCE.



A CARLISLE COMPANY

999 N. Pacific Coast Highway, Suite 800
El Segundo, CA 90245
800-486-1278 • www.henry.com

**MECHANICALLY ATTACHED WEATHER-RESISTIVE BARRIER
WALL FOUNDATION**

**EXTERIOR WALL AND FOUNDATION TRANSITION
SLAB ON GRADE WITH MASONRY LEDGE**

MANUFACTURER INSTALLATION GUIDELINES ARE FOR REFERENCE ONLY. HENRY DOES NOT ASSUME RESPONSIBILITY FOR ERRORS OR DEVIATIONS IN DESIGN OR ENGINEERING. PROJECT SPECIFIC VERIFICATION IS RECOMMENDED PRIOR TO INSTALLATION. DETAILS ARE NOT TO SCALE. REFER TO PRODUCT SPECIFIC TECHNICAL DATA SHEET FOR PRODUCT INFORMATION, RECOMMENDED AUXILIARY COMPONENTS AND INSTALLATION INSTRUCTIONS.

05-31-2022

PAGE 1 OF 1

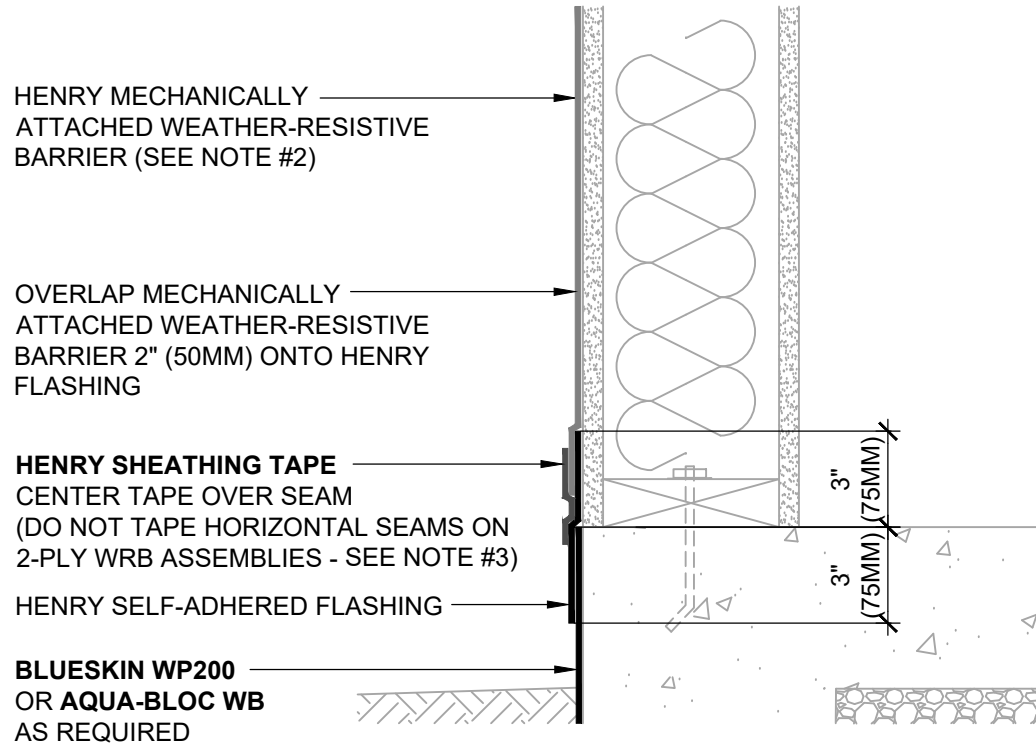
MAWRB-1B



**HENRY 1-2-3 MOISTURE CONTROL SYSTEM
WEATHER-RESISTIVE BARRIER (WRB)
INSTALLATION GUIDELINES**

NOTES

1. VISIT WWW.HENRY.COM/WARRANTY FOR ELIGIBILITY REQUIREMENTS OF THE 15-YEAR RESIDENTIAL AND LIGHT COMMERCIAL HENRY 1-2-3 MOISTURE CONTROL SYSTEM WARRANTY.
2. THIS DETAIL IS SUITABLE FOR **WEATHERSMART, WEATHERSMART COMMERCIAL, WEATHERSMART DRAINABLE, WEATHERSMART D, HYDRO TEX, JUMBO TEX, SUPER JUMBO TEX 60 MIN, TWO-PLY JUMBO TEX, TWO-PLY SUPER JUMBO TEX 60 MIN, AND PLYDRY.**
3. INSTALL SHEATHING TAPE AT SEAMS TO CREATE AN AIR BARRIER ASSEMBLY AS REQUIRED. DO NOT TAPE HORIZONTAL SEAMS ON 2-PLY WRB ASSEMBLIES.
4. SEE PRODUCT SPECIFIC TECHNICAL DATA SHEET FOR ROLL SIZES, MAXIMUM UV EXPOSURE, COMPATIBILITY CONCERNS, APPLICATION TEMPERATURES AND SERVICE TEMPERATURE LIMITATIONS.
5. REFER TO THE PRODUCT SPECIFIC GUIDE SPECIFICATION FOR RECOMMENDED FLASHINGS.
6. CLADDING AND OPTIONAL INTERIOR VAPOR BARRIER NOT SHOWN FOR CLARITY. REFER TO LOCAL CODE ORDINANCES FOR INSULATION AND VAPOR BARRIER REQUIREMENTS.
7. SELF-ADHERED MEMBRANES MAY REQUIRE A PRIMER FOR OPTIMAL ADHESION TO SOME SURFACES AND/OR SUBSTRATE TEMPERATURES. REFER TO PRODUCT SPECIFIC TECHNICAL DATA SHEET FOR PRIMER REQUIREMENTS.
8. ROLL SELF-ADHERED MEMBRANES TO OBTAIN CONTINUOUS ADHESION.
9. VERIFY WEATHER-RESISTIVE BARRIER IS FREE FROM PROTRUSIONS OR DAMAGE PRIOR TO CLADDING INSTALLATION.
10. CONTACT HENRY AT 800-773-4777 FOR TECHNICAL ASSISTANCE.



A CARLISLE COMPANY

999 N. Pacific Coast Highway, Suite 800
El Segundo, CA 90245
800-486-1278 • www.henry.com

**MECHANICALLY ATTACHED WEATHER-RESISTIVE BARRIER
WALL FOUNDATION**

**EXTERIOR WALL AND FOUNDATION TRANSITION
SLAB ON GRADE - NO MASONRY LEDGE**

MANUFACTURER INSTALLATION GUIDELINES ARE FOR REFERENCE ONLY. HENRY DOES NOT ASSUME RESPONSIBILITY FOR ERRORS OR DEVIATIONS IN DESIGN OR ENGINEERING. PROJECT SPECIFIC VERIFICATION IS RECOMMENDED PRIOR TO INSTALLATION. DETAILS ARE NOT TO SCALE. REFER TO PRODUCT SPECIFIC TECHNICAL DATA SHEET FOR PRODUCT INFORMATION, RECOMMENDED AUXILIARY COMPONENTS AND INSTALLATION INSTRUCTIONS.

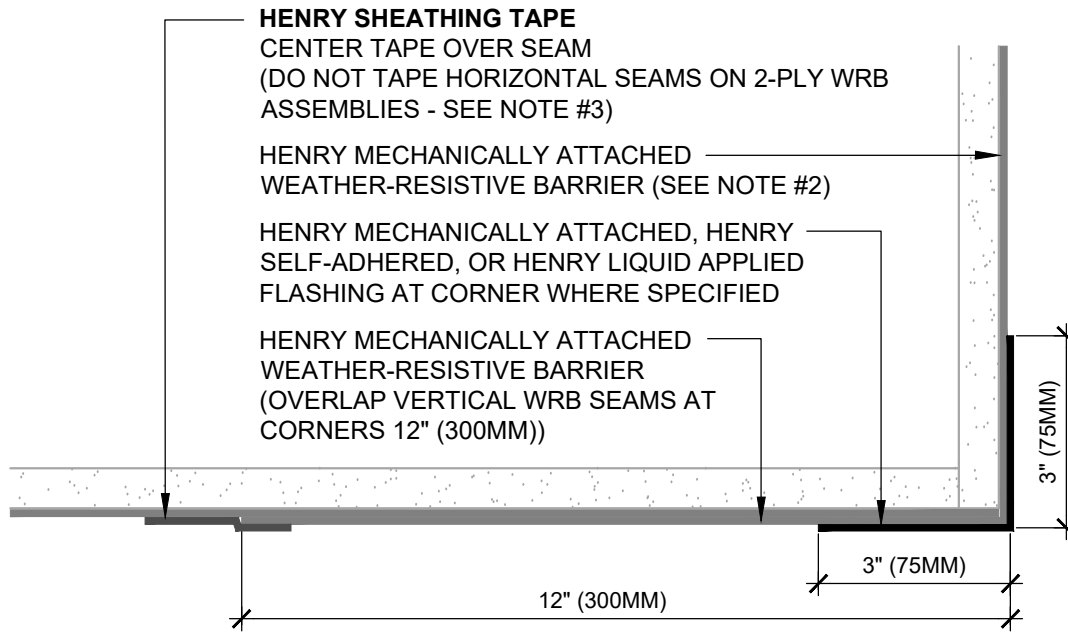
05-31-2022

PAGE 1 OF 1

MAWRB-1C

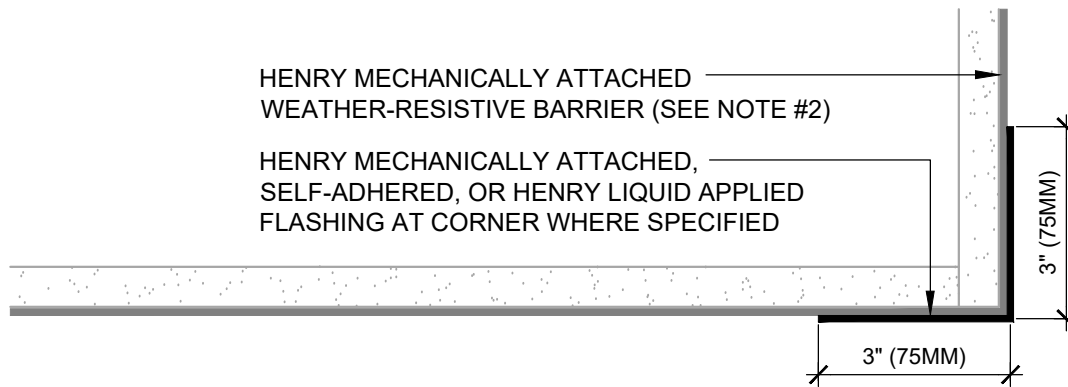


**HENRY 1-2-3 MOISTURE CONTROL SYSTEM
WEATHER-RESISTIVE BARRIER (WRB)
INSTALLATION GUIDELINES**



OUTSIDE CORNER (PLAN VIEW)

WRB SEAM AT CORNER



OUTSIDE CORNER (PLAN VIEW)

WRB WRAPPED AROUND CORNER

HENRY SHEATHING TAPE
CENTER TAPE OVER SEAM
(DO NOT TAPE HORIZONTAL SEAMS ON 2-PLY WRB
ASSEMBLIES - SEE NOTE #3)

HENRY MECHANICALLY ATTACHED
WEATHER-RESISTIVE BARRIER (SEE NOTE #2)

HENRY MECHANICALLY ATTACHED, HENRY
SELF-ADHERED, OR HENRY LIQUID APPLIED
FLASHING AT CORNER WHERE SPECIFIED

HENRY MECHANICALLY ATTACHED
WEATHER-RESISTIVE BARRIER
(OVERLAP VERTICAL WRB SEAMS AT
CORNERS 12" (300MM))

HENRY MECHANICALLY ATTACHED
WEATHER-RESISTIVE BARRIER (SEE NOTE #2)

HENRY MECHANICALLY ATTACHED,
SELF-ADHERED, OR HENRY LIQUID APPLIED
FLASHING AT CORNER WHERE SPECIFIED

NOTES

1. VISIT WWW.HENRY.COM/WARRANTY FOR ELIGIBILITY REQUIREMENTS OF THE 15-YEAR RESIDENTIAL AND LIGHT COMMERCIAL HENRY 1-2-3 MOISTURE CONTROL SYSTEM WARRANTY.
2. THIS DETAIL IS SUITABLE FOR **WEATHERSMART, WEATHERSMART COMMERCIAL, WEATHERSMART DRAINABLE, WEATHERSMART D, HYDRO TEX, JUMBO TEX, SUPER JUMBO TEX 60 MIN, TWO-PLY JUMBO TEX, TWO-PLY SUPER JUMBO TEX 60 MIN, AND PLYDRY.**
3. INSTALL SHEATHING TAPE AT SEAMS TO CREATE AN AIR BARRIER ASSEMBLY AS REQUIRED. DO NOT TAPE HORIZONTAL SEAMS ON 2-PLY WRB ASSEMBLIES.
4. SEE PRODUCT SPECIFIC TECHNICAL DATA SHEET FOR ROLL SIZES, MAXIMUM UV EXPOSURE, COMPATIBILITY CONCERNS, APPLICATION TEMPERATURES AND SERVICE TEMPERATURE LIMITATIONS.
5. REFER TO THE PRODUCT SPECIFIC GUIDE SPECIFICATION FOR RECOMMENDED FLASHINGS.
6. CLADDING, INSULATION, AND OPTIONAL INTERIOR VAPOR BARRIER NOT SHOWN FOR CLARITY. REFER TO LOCAL CODE ORDINANCES FOR INSULATION AND VAPOR BARRIER REQUIREMENTS.
7. SELF-ADHERED MEMBRANES MAY REQUIRE A PRIMER FOR OPTIMAL ADHESION TO SOME SURFACES AND/OR SUBSTRATE TEMPERATURES. REFER TO PRODUCT SPECIFIC TECHNICAL DATA SHEET FOR PRIMER REQUIREMENTS.
8. ROLL SELF-ADHERED MEMBRANES TO OBTAIN CONTINUOUS ADHESION.
9. VERIFY WEATHER-RESISTIVE BARRIER IS FREE FROM PROTRUSIONS OR DAMAGE PRIOR TO CLADDING INSTALLATION.
10. CONTACT HENRY AT 800-773-4777 FOR TECHNICAL ASSISTANCE.



A CARLISLE COMPANY

999 N. Pacific Coast Highway, Suite 800
El Segundo, CA 90245
800-486-1278 • www.henry.com

**MECHANICALLY ATTACHED WEATHER-RESISTIVE BARRIER
OUTSIDE CORNERS**

**TYPICAL CORNER DETAILS - PLAN VIEW
SHEATHING JOINTS**

MANUFACTURER INSTALLATION GUIDELINES ARE FOR REFERENCE ONLY. HENRY DOES NOT ASSUME RESPONSIBILITY FOR ERRORS OR DEVIATIONS IN DESIGN OR ENGINEERING. PROJECT SPECIFIC VERIFICATION IS RECOMMENDED PRIOR TO INSTALLATION. DETAILS ARE NOT TO SCALE. REFER TO PRODUCT SPECIFIC TECHNICAL DATA SHEET FOR PRODUCT INFORMATION, RECOMMENDED AUXILIARY COMPONENTS AND INSTALLATION INSTRUCTIONS.

05-31-2022

PAGE 1 OF 1

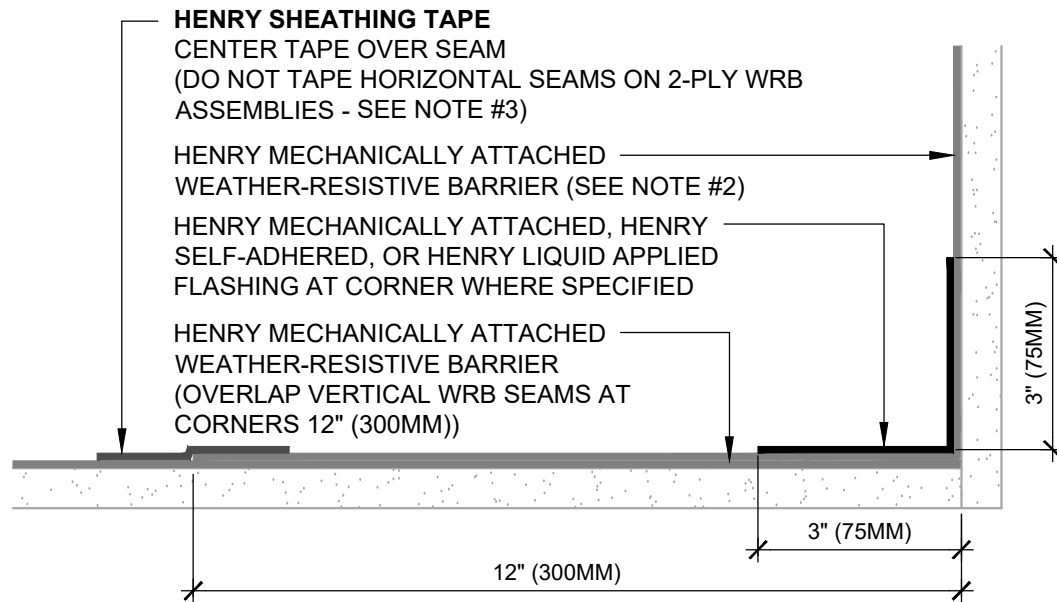
MAWRB-3A1



**HENRY 1-2-3 MOISTURE CONTROL SYSTEM
WEATHER-RESISTIVE BARRIER (WRB)
INSTALLATION GUIDELINES**

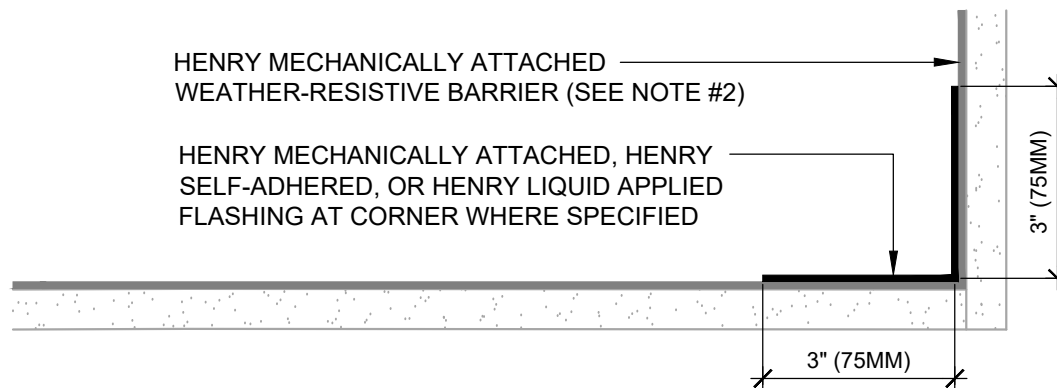
NOTES

1. VISIT WWW.HENRY.COM/WARRANTY FOR ELIGIBILITY REQUIREMENTS OF THE 15-YEAR RESIDENTIAL AND LIGHT COMMERCIAL HENRY 1-2-3 MOISTURE CONTROL SYSTEM WARRANTY.
2. THIS DETAIL IS SUITABLE FOR **WEATHERSMART, WEATHERSMART COMMERCIAL, WEATHERSMART DRAINABLE, WEATHERSMART D, HYDRO TEX, JUMBO TEX, SUPER JUMBO TEX 60 MIN, TWO-PLY JUMBO TEX, TWO-PLY SUPER JUMBO TEX 60 MIN, AND PLYDRY.**
3. INSTALL SHEATHING TAPE AT SEAMS TO CREATE AN AIR BARRIER ASSEMBLY AS REQUIRED. DO NOT TAPE HORIZONTAL SEAMS ON 2-PLY WRB ASSEMBLIES.
4. SEE PRODUCT SPECIFIC TECHNICAL DATA SHEET FOR ROLL SIZES, MAXIMUM UV EXPOSURE, COMPATIBILITY CONCERNS, APPLICATION TEMPERATURES AND SERVICE TEMPERATURE LIMITATIONS.
5. REFER TO THE PRODUCT SPECIFIC GUIDE SPECIFICATION FOR RECOMMENDED FLASHINGS.
6. CLADDING, INSULATION, AND OPTIONAL INTERIOR VAPOR BARRIER NOT SHOWN FOR CLARITY. REFER TO LOCAL CODE ORDINANCES FOR INSULATION AND VAPOR BARRIER REQUIREMENTS.
7. SELF-ADHERED MEMBRANES MAY REQUIRE A PRIMER FOR OPTIMAL ADHESION TO SOME SURFACES AND/OR SUBSTRATE TEMPERATURES. REFER TO PRODUCT SPECIFIC TECHNICAL DATA SHEET FOR PRIMER REQUIREMENTS.
8. ROLL SELF-ADHERED MEMBRANES TO OBTAIN CONTINUOUS ADHESION.
9. VERIFY WEATHER-RESISTIVE BARRIER IS FREE FROM PROTRUSIONS OR DAMAGE PRIOR TO CLADDING INSTALLATION.
10. CONTACT HENRY AT 800-773-4777 FOR TECHNICAL ASSISTANCE.



INSIDE CORNER (PLAN VIEW)

WRB SEAM AT CORNER



INSIDE CORNER (PLAN VIEW)

WRB WRAPPED AROUND CORNER



A CARLISLE COMPANY

999 N. Pacific Coast Highway, Suite 800
El Segundo, CA 90245
800-486-1278 • www.henry.com

**MECHANICALLY ATTACHED WEATHER-RESISTIVE BARRIER
INSIDE CORNERS**

**TYPICAL CORNER DETAILS - PLAN VIEW
SHEATHING JOINTS**

MANUFACTURER INSTALLATION GUIDELINES ARE FOR REFERENCE ONLY. HENRY DOES NOT ASSUME RESPONSIBILITY FOR ERRORS OR DEVIATIONS IN DESIGN OR ENGINEERING. PROJECT SPECIFIC VERIFICATION IS RECOMMENDED PRIOR TO INSTALLATION. DETAILS ARE NOT TO SCALE. REFER TO PRODUCT SPECIFIC TECHNICAL DATA SHEET FOR PRODUCT INFORMATION, RECOMMENDED AUXILIARY COMPONENTS AND INSTALLATION INSTRUCTIONS.

05-31-2022

PAGE 1 OF 1

MAWRB-3A2

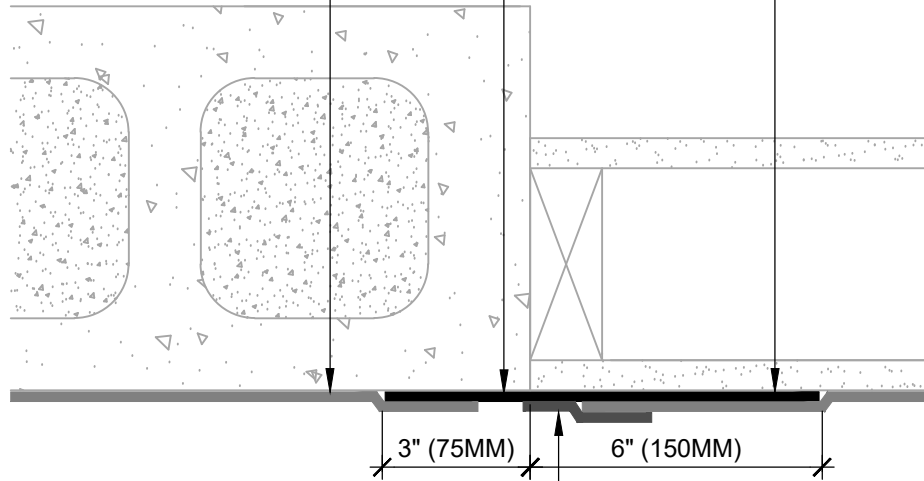


**HENRY 1-2-3 MOISTURE CONTROL SYSTEM
WEATHER-RESISTIVE BARRIER (WRB)
INSTALLATION GUIDELINES**

HENRY MECHANICALLY ATTACHED
WEATHER-RESISTIVE BARRIER (SEE NOTE #2)

HENRY SELF-ADHERED FLASHING

BLUESKIN VP100
LAP WRB 2" (50MM) ONTO FLASHING



HENRY SHEATHING TAPE
CENTER TAPE OVER SEAM

NON-MOVING JOINT (PLAN VIEW)
CONTROL JOINT/SUBSTRATE TRANSITION

NOTES

1. VISIT WWW.HENRY.COM/WARRANTY FOR ELIGIBILITY REQUIREMENTS OF THE 15-YEAR RESIDENTIAL AND LIGHT COMMERCIAL HENRY 1-2-3 MOISTURE CONTROL SYSTEM WARRANTY.
2. THIS DETAIL IS SUITABLE FOR **WEATHERSMART, WEATHERSMART COMMERCIAL, WEATHERSMART DRAINABLE, WEATHERSMART D, HYDRO TEX, JUMBO TEX, SUPER JUMBO TEX 60 MIN, TWO-PLY JUMBO TEX, TWO-PLY SUPER JUMBO TEX 60 MIN, AND PLYDRY.**
3. INSTALL SHEATHING TAPE AT SEAMS TO CREATE AN AIR BARRIER ASSEMBLY AS REQUIRED. DO NOT TAPE HORIZONTAL SEAMS ON 2-PLY WRB ASSEMBLIES.
4. SEE PRODUCT SPECIFIC TECHNICAL DATA SHEET FOR ROLL SIZES, MAXIMUM UV EXPOSURE, COMPATIBILITY CONCERNS, APPLICATION TEMPERATURES AND SERVICE TEMPERATURE LIMITATIONS.
5. REFER TO THE PRODUCT SPECIFIC GUIDE SPECIFICATION FOR RECOMMENDED FLASHINGS.
6. CLADDING, INSULATION, AND OPTIONAL INTERIOR VAPOR BARRIER NOT SHOWN FOR CLARITY. REFER TO LOCAL CODE ORDINANCES FOR INSULATION AND VAPOR BARRIER REQUIREMENTS.
7. SELF-ADHERED MEMBRANES MAY REQUIRE A PRIMER FOR OPTIMAL ADHESION TO SOME SURFACES AND/OR SUBSTRATE TEMPERATURES. REFER TO PRODUCT SPECIFIC TECHNICAL DATA SHEET FOR PRIMER REQUIREMENTS.
8. ROLL SELF-ADHERED MEMBRANES TO OBTAIN CONTINUOUS ADHESION.
9. VERIFY WEATHER-RESISTIVE BARRIER IS FREE FROM PROTRUSIONS OR DAMAGE PRIOR TO CLADDING INSTALLATION.
10. CONTACT HENRY AT 800-773-4777 FOR TECHNICAL ASSISTANCE.



A CARLISLE COMPANY

999 N. Pacific Coast Highway, Suite 800
El Segundo, CA 90245
800-486-1278 • www.henry.com

**MECHANICALLY ATTACHED WEATHER-RESISTIVE BARRIER
SUBSTRATE TRANSITION**

**DISSIMILAR SUBSTRATE TRANSITIONS
SUBSTRATE GAPS UP TO 1/2" (10MM) MAXIMUM**

MANUFACTURER INSTALLATION GUIDELINES ARE FOR REFERENCE ONLY. HENRY DOES NOT ASSUME RESPONSIBILITY FOR ERRORS OR DEVIATIONS IN DESIGN OR ENGINEERING. PROJECT SPECIFIC VERIFICATION IS RECOMMENDED PRIOR TO INSTALLATION. DETAILS ARE NOT TO SCALE. REFER TO PRODUCT SPECIFIC TECHNICAL DATA SHEET FOR PRODUCT INFORMATION, RECOMMENDED AUXILIARY COMPONENTS AND INSTALLATION INSTRUCTIONS.

05-31-2022

PAGE 1 OF 1

MAWRB-4A

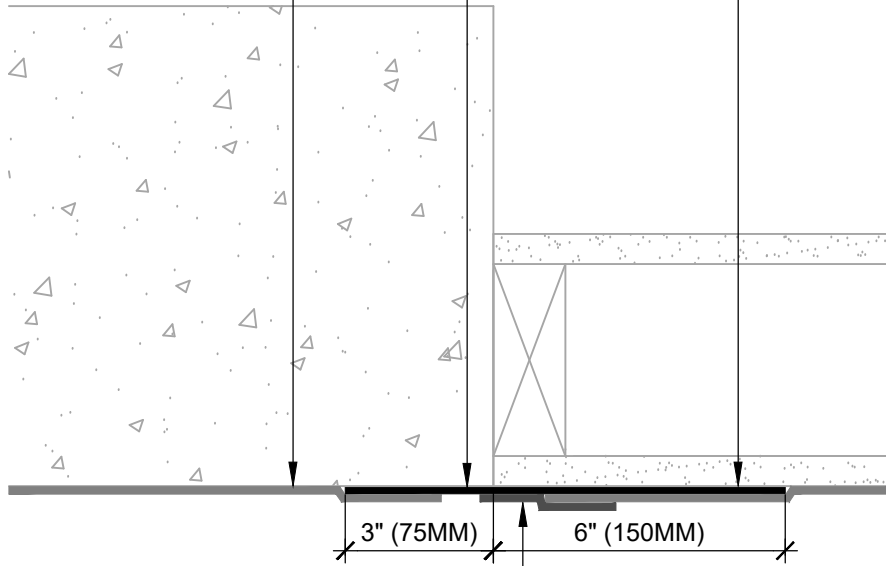


**HENRY 1-2-3 MOISTURE CONTROL SYSTEM
WEATHER-RESISTIVE BARRIER (WRB)
INSTALLATION GUIDELINES**

HENRY MECHANICALLY ATTACHED
WEATHER-RESISTIVE BARRIER (SEE NOTE #2)

HENRY SELF-ADHERED FLASHING

BLUESKIN VP100
LAP WRB 2" (50MM) ONTO FLASHING



HENRY SHEATHING TAPE
CENTER TAPE OVER SEAM

NON-MOVING JOINT (PLAN VIEW)
CONTROL JOINT/SUBSTRATE TRANSITION

NOTES

1. VISIT WWW.HENRY.COM/WARRANTY FOR ELIGIBILITY REQUIREMENTS OF THE 15-YEAR RESIDENTIAL AND LIGHT COMMERCIAL HENRY 1-2-3 MOISTURE CONTROL SYSTEM WARRANTY.
2. THIS DETAIL IS SUITABLE FOR **WEATHERSMART, WEATHERSMART COMMERCIAL, WEATHERSMART DRAINABLE, WEATHERSMART D, HYDRO TEX, JUMBO TEX, SUPER JUMBO TEX 60 MIN, TWO-PLY JUMBO TEX, TWO-PLY SUPER JUMBO TEX 60 MIN, AND PLYDRY.**
3. INSTALL SHEATHING TAPE AT SEAMS TO CREATE AN AIR BARRIER ASSEMBLY AS REQUIRED. DO NOT TAPE HORIZONTAL SEAMS ON 2-PLY WRB ASSEMBLIES.
4. SEE PRODUCT SPECIFIC TECHNICAL DATA SHEET FOR ROLL SIZES, MAXIMUM UV EXPOSURE, COMPATIBILITY CONCERNS, APPLICATION TEMPERATURES AND SERVICE TEMPERATURE LIMITATIONS.
5. REFER TO THE PRODUCT SPECIFIC GUIDE SPECIFICATION FOR RECOMMENDED FLASHINGS.
6. CLADDING, INSULATION, AND OPTIONAL INTERIOR VAPOR BARRIER NOT SHOWN FOR CLARITY. REFER TO LOCAL CODE ORDINANCES FOR INSULATION AND VAPOR BARRIER REQUIREMENTS.
7. SELF-ADHERED MEMBRANES MAY REQUIRE A PRIMER FOR OPTIMAL ADHESION TO SOME SURFACES AND/OR SUBSTRATE TEMPERATURES. REFER TO PRODUCT SPECIFIC TECHNICAL DATA SHEET FOR PRIMER REQUIREMENTS.
8. ROLL SELF-ADHERED MEMBRANES TO OBTAIN CONTINUOUS ADHESION.
9. VERIFY WEATHER-RESISTIVE BARRIER IS FREE FROM PROTRUSIONS OR DAMAGE PRIOR TO CLADDING INSTALLATION.
10. CONTACT HENRY AT 800-773-4777 FOR TECHNICAL ASSISTANCE.



A CARLISLE COMPANY

999 N. Pacific Coast Highway, Suite 800
El Segundo, CA 90245
800-486-1278 • www.henry.com

**MECHANICALLY ATTACHED WEATHER-RESISTIVE BARRIER
SUBSTRATE TRANSITION**

**DISSIMILAR SUBSTRATE TRANSITIONS
SUBSTRATE GAPS UP TO 1/2" (10MM) MAXIMUM**

MANUFACTURER INSTALLATION GUIDELINES ARE FOR REFERENCE ONLY. HENRY DOES NOT ASSUME RESPONSIBILITY FOR ERRORS OR DEVIATIONS IN DESIGN OR ENGINEERING. PROJECT SPECIFIC VERIFICATION IS RECOMMENDED PRIOR TO INSTALLATION. DETAILS ARE NOT TO SCALE. REFER TO PRODUCT SPECIFIC TECHNICAL DATA SHEET FOR PRODUCT INFORMATION, RECOMMENDED AUXILIARY COMPONENTS AND INSTALLATION INSTRUCTIONS.

05-31-2022

PAGE 1 OF 1

MAWRB-4B



**HENRY 1-2-3 MOISTURE CONTROL SYSTEM
WEATHER-RESISTIVE BARRIER (WRB)
INSTALLATION GUIDELINES**

HENRY MECHANICALLY ATTACHED
WEATHER-RESISTIVE BARRIER
(SEE NOTE #2)

OVERLAP MECHANICALLY
ATTACHED WEATHER-RESISTIVE
BARRIER 2" (50MM) ONTO HENRY
FLASHING

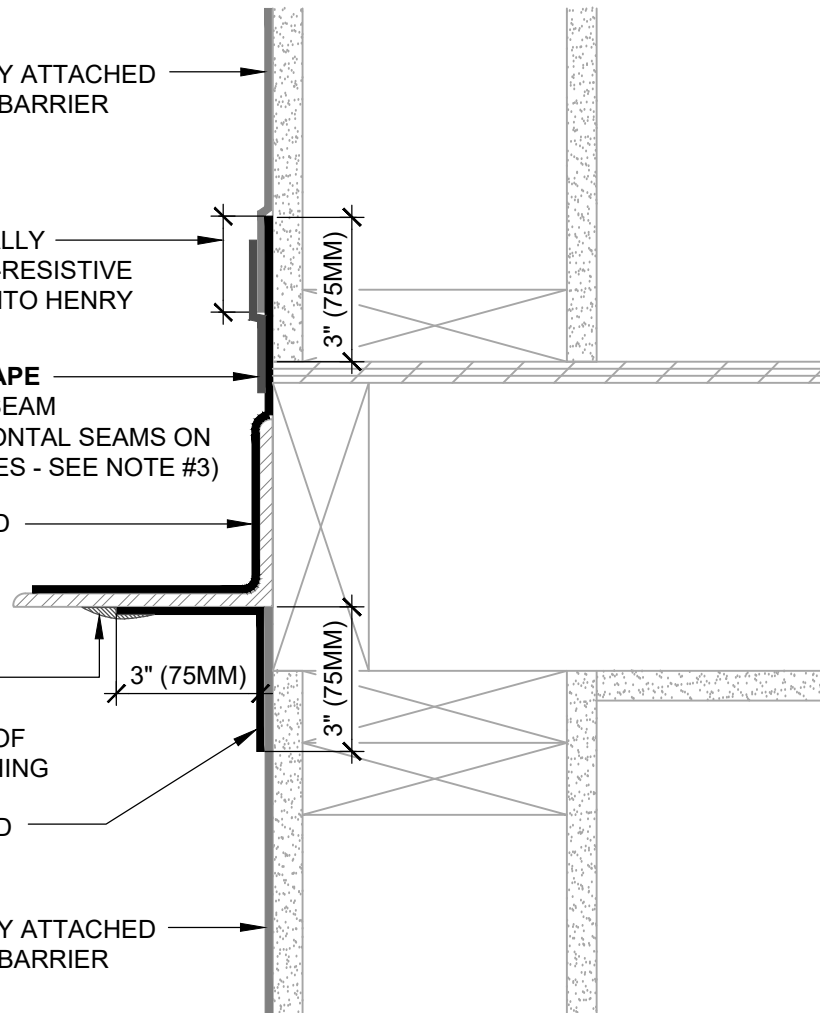
HENRY SHEATHING TAPE
CENTER TAPE OVER SEAM
(DO NOT TAPE HORIZONTAL SEAMS ON
2-PLY WRB ASSEMBLIES - SEE NOTE #3)

HENRY SELF-ADHERED
FLASHING

MOISTOP SEALANT
OR **AIR-BLOC LF**
ENCAPSULATE EDGE OF
SELF-ADHERED FLASHING

HENRY SELF-ADHERED
FLASHING

HENRY MECHANICALLY ATTACHED
WEATHER-RESISTIVE BARRIER
(SEE NOTE #2)



NOTES

1. VISIT WWW.HENRY.COM/WARRANTY FOR ELIGIBILITY REQUIREMENTS OF THE 15-YEAR RESIDENTIAL AND LIGHT COMMERCIAL HENRY 1-2-3 MOISTURE CONTROL SYSTEM WARRANTY.
2. THIS DETAIL IS SUITABLE FOR **WEATHERSMART, WEATHERSMART COMMERCIAL, WEATHERSMART DRAINABLE, WEATHERSMART D, HYDRO TEX, JUMBO TEX, SUPER JUMBO TEX 60 MIN, TWO-PLY JUMBO TEX, TWO-PLY SUPER JUMBO TEX 60 MIN, AND PLYDRY.**
3. INSTALL SHEATHING TAPE AT SEAMS TO CREATE AN AIR BARRIER ASSEMBLY AS REQUIRED. DO NOT TAPE HORIZONTAL SEAMS ON 2-PLY WRB ASSEMBLIES.
4. SEE PRODUCT SPECIFIC TECHNICAL DATA SHEET FOR ROLL SIZES, MAXIMUM UV EXPOSURE, COMPATIBILITY CONCERNS, APPLICATION TEMPERATURES AND SERVICE TEMPERATURE LIMITATIONS.
5. REFER TO THE PRODUCT SPECIFIC GUIDE SPECIFICATION FOR RECOMMENDED FLASHINGS.
6. CLADDING, INSULATION, AND OPTIONAL INTERIOR VAPOR BARRIER NOT SHOWN FOR CLARITY. REFER TO LOCAL CODE ORDINANCES FOR INSULATION AND VAPOR BARRIER REQUIREMENTS.
7. SELF-ADHERED MEMBRANES MAY REQUIRE A PRIMER FOR OPTIMAL ADHESION TO SOME SURFACES AND/OR SUBSTRATE TEMPERATURES. REFER TO PRODUCT SPECIFIC TECHNICAL DATA SHEET FOR PRIMER REQUIREMENTS.
8. ROLL SELF-ADHERED MEMBRANES TO OBTAIN CONTINUOUS ADHESION.
9. VERIFY WEATHER-RESISTIVE BARRIER IS FREE FROM PROTRUSIONS OR DAMAGE PRIOR TO CLADDING INSTALLATION.
10. CONTACT HENRY AT 800-773-4777 FOR TECHNICAL ASSISTANCE.

Henry[®]

A CARLISLE COMPANY

999 N. Pacific Coast Highway, Suite 800
El Segundo, CA 90245
800-486-1278 • www.henry.com

**MECHANICALLY ATTACHED WEATHER-RESISTIVE BARRIER
SUBSTRATE TRANSITION**

**DISSIMILAR SUBSTRATE TRANSITIONS
CONTINUOUS LINTEL/STEEL ANGLE**

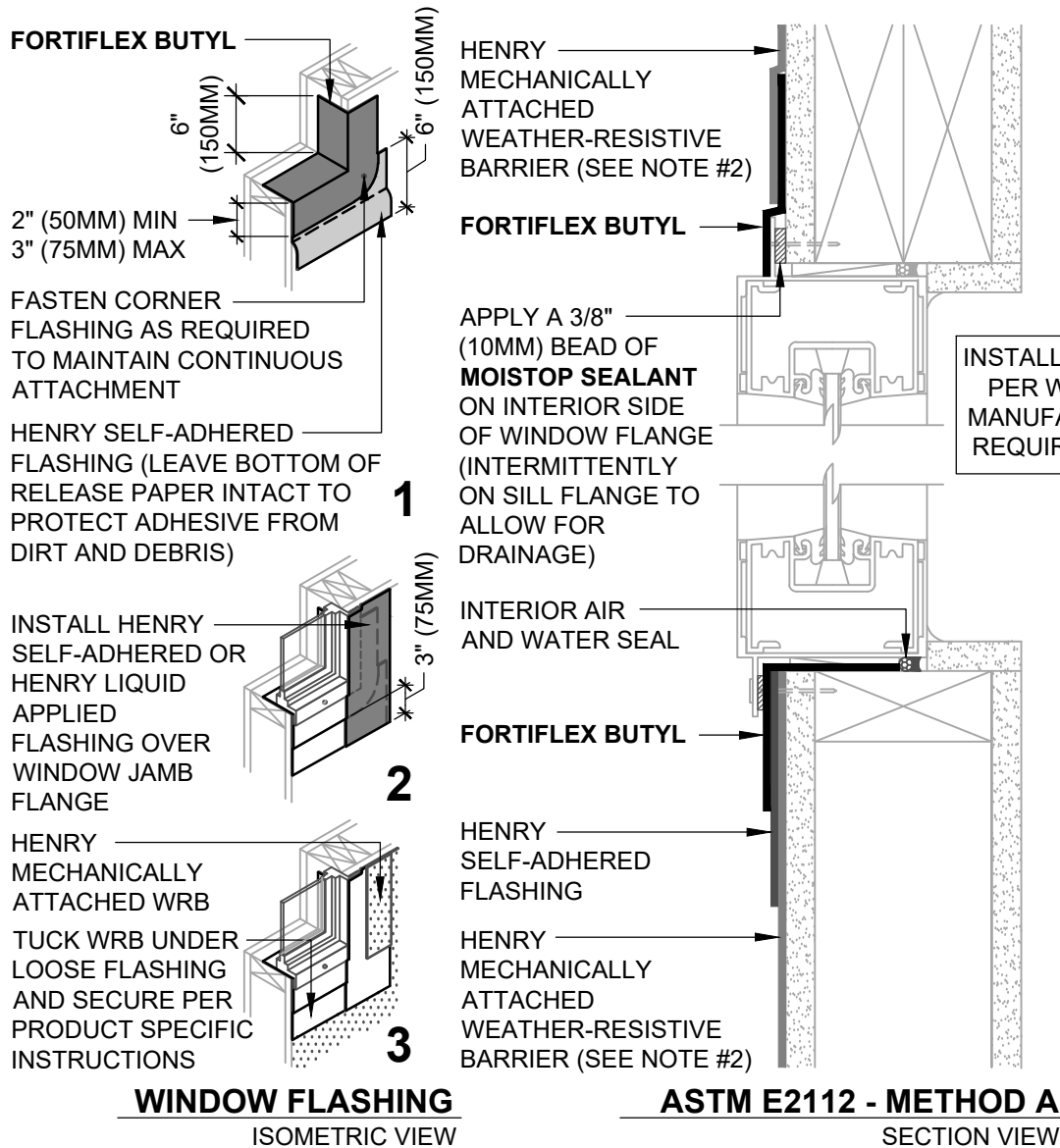
MANUFACTURER INSTALLATION GUIDELINES ARE FOR REFERENCE ONLY. HENRY DOES NOT ASSUME RESPONSIBILITY FOR ERRORS OR DEVIATIONS IN DESIGN OR ENGINEERING. PROJECT SPECIFIC VERIFICATION IS RECOMMENDED PRIOR TO INSTALLATION. DETAILS ARE NOT TO SCALE. REFER TO PRODUCT SPECIFIC TECHNICAL DATA SHEET FOR PRODUCT INFORMATION, RECOMMENDED AUXILIARY COMPONENTS AND INSTALLATION INSTRUCTIONS.

05-31-2022

PAGE 1 OF 1

MAWRB-5A

THE DEPICTED DETAIL SHOWS ONE OF THE SEVERAL COMMONLY ACCEPTED METHODS OF WINDOW INSTALLATION.



HENRY 1-2-3 MOISTURE CONTROL SYSTEM WEATHER-RESISTIVE BARRIER (WRB) INSTALLATION GUIDELINES

NOTES

1. VISIT WWW.HENRY.COM/WARRANTY FOR ELIGIBILITY REQUIREMENTS OF THE 15-YEAR RESIDENTIAL AND LIGHT COMMERCIAL HENRY 1-2-3 MOISTURE CONTROL SYSTEM WARRANTY.
2. THIS DETAIL IS SUITABLE FOR **WEATHERSMART, WEATHERSMART COMMERCIAL, WEATHERSMART DRAINABLE, WEATHERSMART D, HYDRO TEX, JUMBO TEX, SUPER JUMBO TEX 60 MIN, TWO-PLY JUMBO TEX, TWO-PLY SUPER JUMBO TEX 60 MIN, AND PLYDRY.**
3. INSTALL SHEATHING TAPE AT SEAMS TO CREATE AN AIR BARRIER ASSEMBLY AS REQUIRED. DO NOT TAPE HORIZONTAL SEAMS ON 2-PLY WRB ASSEMBLIES.
4. INSTALLATION "METHOD A" REFERS TO COMMON WINDOWS (SURFACE MOUNTED). INSTALL WINDOW PER WINDOW MANUFACTURER REQUIREMENTS.
5. PROVIDE INTERIOR AIR AND WATER SEAL AT WINDOW PERIMETER PER WINDOW MANUFACTURER RECOMMENDATIONS.
6. SEE PRODUCT SPECIFIC TECHNICAL DATA SHEET FOR ROLL SIZES, MAXIMUM UV EXPOSURE, COMPATIBILITY CONCERNS, APPLICATION TEMPERATURES AND SERVICE TEMPERATURE LIMITATIONS.
7. REFER TO THE PRODUCT SPECIFIC GUIDE SPECIFICATION FOR RECOMMENDED FLASHINGS.
8. SELF-ADHERED MEMBRANES MAY REQUIRE A PRIMER FOR OPTIMAL ADHESION TO SOME SURFACES AND/OR SUBSTRATE TEMPERATURES. REFER TO PRODUCT SPECIFIC TECHNICAL DATA SHEET FOR PRIMER REQUIREMENTS.
9. VERIFY WRB IS FREE FROM PROTRUSIONS OR DAMAGE PRIOR TO CLADDING INSTALLATION.
10. CONTACT HENRY AT 800-773-4777 FOR TECHNICAL ASSISTANCE.



999 N. Pacific Coast Highway, Suite 800
El Segundo, CA 90245
800-486-1278 • www.henry.com

MECHANICALLY ATTACHED WEATHER-RESISTIVE BARRIER FLANGED WINDOW - METHOD A

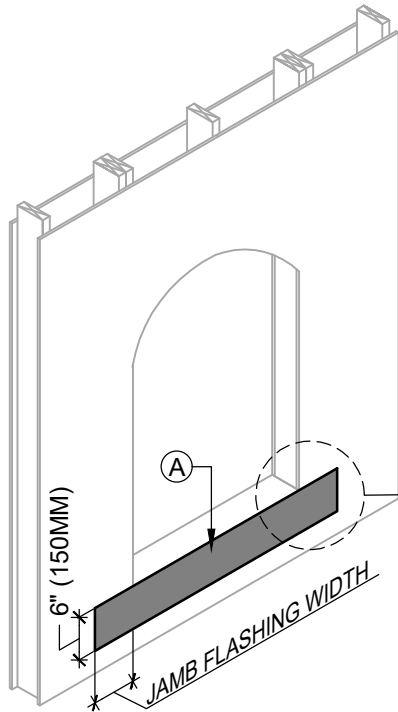
FORTIFLEX BUTYL FLASHING INSTALLED BEFORE WEATHER RESISTIVE BARRIER (WRB)

MANUFACTURER INSTALLATION GUIDELINES ARE FOR REFERENCE ONLY. HENRY DOES NOT ASSUME RESPONSIBILITY FOR ERRORS OR DEVIATIONS IN DESIGN OR ENGINEERING. PROJECT SPECIFIC VERIFICATION IS RECOMMENDED PRIOR TO INSTALLATION. DETAILS ARE NOT TO SCALE. REFER TO PRODUCT SPECIFIC TECHNICAL DATA SHEET FOR PRODUCT INFORMATION, RECOMMENDED AUXILIARY COMPONENTS AND INSTALLATION INSTRUCTIONS.

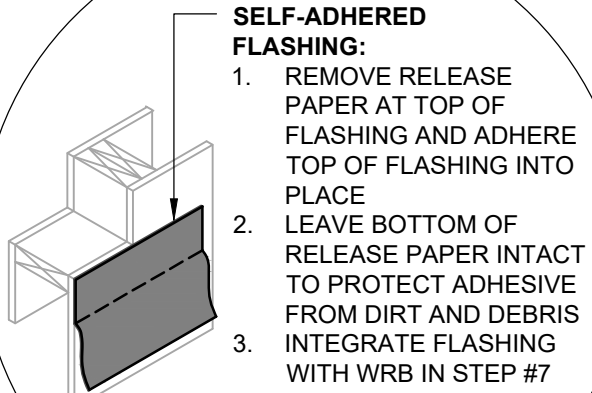
05-31-2022

PAGE 1 OF 1

MAWRB-6A-F1



1 SILL FLASHING PREPARATION



2 SILL FLASHING INSTALLATION

SELF-ADHERED FLASHING:

1. REMOVE RELEASE PAPER AT TOP OF FLASHING AND ADHERE TOP OF FLASHING INTO PLACE
2. LEAVE BOTTOM OF RELEASE PAPER INTACT TO PROTECT ADHESIVE FROM DIRT AND DEBRIS
3. INTEGRATE FLASHING WITH WRB IN STEP #7

FIRMLY ROLL FLASHING ONTO SURFACE

6" (150MM) MIN
2" (50MM) MIN, 3" (75MM) MAX

FASTEN CORNER FLASHING AS NEEDED

Henry RESIDENTIAL AND LIGHT COMMERCIAL WEATHER-RESISTIVE BARRIER ASSEMBLY



HENRY 1-2-3 MOISTURE CONTROL SYSTEM WEATHER-RESISTIVE BARRIER (WRB) INSTALLATION GUIDELINES

WEATHER-RESISTIVE BARRIER (WRB) COMPONENTS	
(A)	HENRY SELF-ADHERED FLASHING
(B)	FORTIFLEX BUTYL
(C)	HENRY MOISTOP SEALANT
(D)	HENRY SELF-ADHERED OR HENRY LIQUID APPLIED FLASHING
(E)	HENRY MECHANICALLY ATTACHED WEATHER-RESISTIVE BARRIER

NOTES

1. THE DEPICTED DETAIL SHOWS ONE OF THE SEVERAL COMMONLY ACCEPTED METHODS OF WINDOW INSTALLATION.
2. VISIT WWW.HENRY.COM/WARRANTY FOR ELIGIBILITY REQUIREMENTS OF THE 15-YEAR RESIDENTIAL AND LIGHT COMMERCIAL HENRY 1-2-3 MOISTURE CONTROL SYSTEM WARRANTY.
3. THIS DETAIL IS SUITABLE FOR **WEATHERSMART, WEATHERSMART COMMERCIAL, WEATHERSMART DRAINABLE, WEATHERSMART D, HYDRO TEX, JUMBO TEX, SUPER JUMBO TEX 60 MIN, TWO-PLY JUMBO TEX, TWO-PLY SUPER JUMBO TEX 60 MIN, AND PLYDRY.**



999 N. Pacific Coast Highway, Suite 800
El Segundo, CA 90245
800-486-1278 • www.henry.com

MECHANICALLY ATTACHED WEATHER-RESISTIVE BARRIER FLANGED WINDOW - METHOD A

FORTIFLEX BUTYL FLASHING INSTALLED BEFORE WRB - SEQUENCE INSTALLATION

MANUFACTURER INSTALLATION GUIDELINES ARE FOR REFERENCE ONLY. HENRY DOES NOT ASSUME RESPONSIBILITY FOR ERRORS OR DEVIATIONS IN DESIGN OR ENGINEERING. PROJECT SPECIFIC VERIFICATION IS RECOMMENDED PRIOR TO INSTALLATION. DETAILS ARE NOT TO SCALE. REFER TO PRODUCT SPECIFIC TECHNICAL DATA SHEET FOR PRODUCT INFORMATION, RECOMMENDED AUXILIARY COMPONENTS AND INSTALLATION INSTRUCTIONS.

05-31-2022

PAGE 1 OF 2

MAWRB-6A-F2

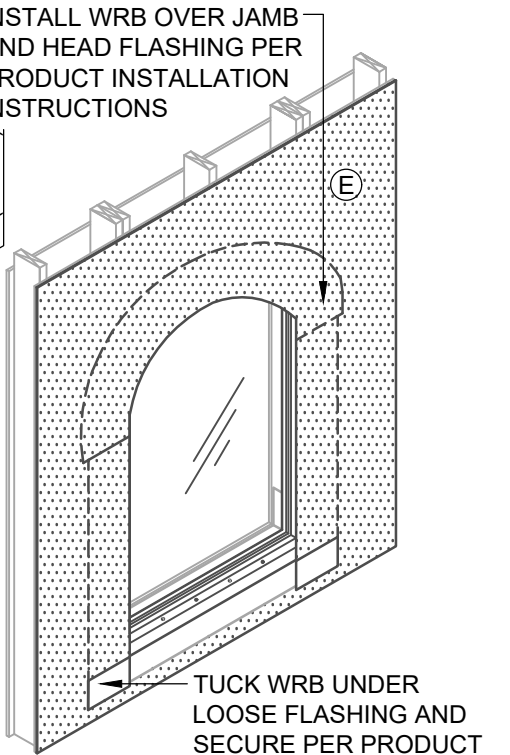
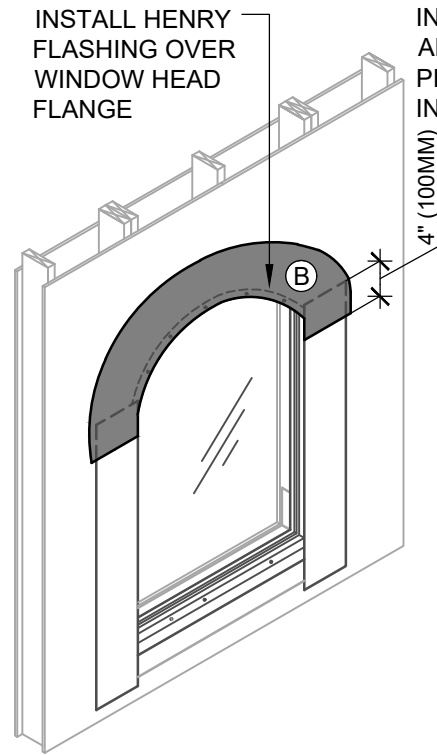
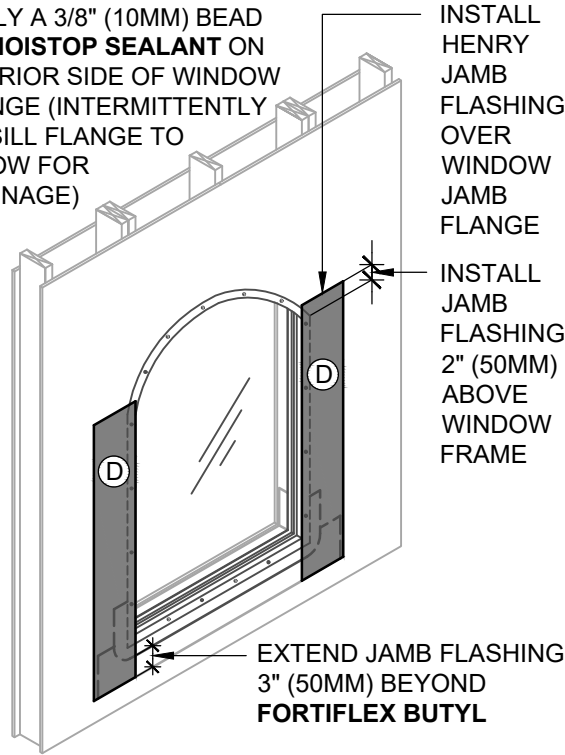
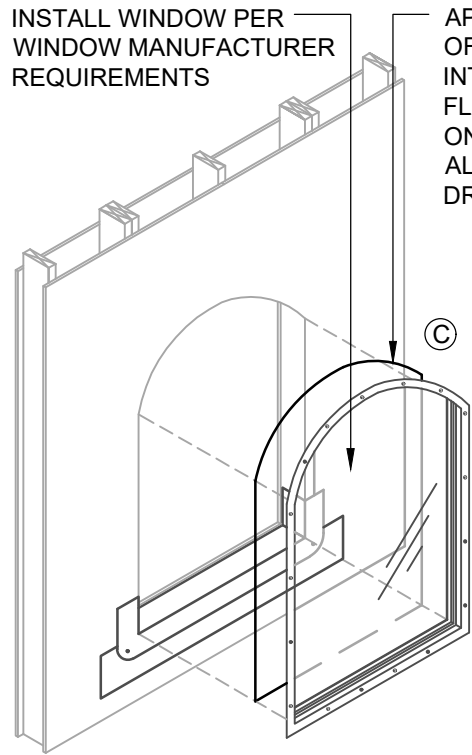
INSTALL WINDOW PER WINDOW MANUFACTURER REQUIREMENTS

APPLY A 3/8" (10MM) BEAD OF **MOISTOP SEALANT** ON INTERIOR SIDE OF WINDOW FLANGE (INTERMITTENTLY ON SILL FLANGE TO ALLOW FOR DRAINAGE)

INSTALL HENRY JAMB FLASHING OVER WINDOW JAMB FLANGE

INSTALL HENRY FLASHING OVER WINDOW HEAD FLANGE

INSTALL WRB OVER JAMB AND HEAD FLASHING PER PRODUCT INSTALLATION INSTRUCTIONS



4 WINDOW INSTALLATION

5 JAMB FLASHING INSTALLATION

6 HEADER FLASHING INSTALLATION

7 WEATHER-RESISTIVE BARRIER (WRB)

INSTALLATION GUIDELINES AND LIMITATIONS

1. INSTALLATION "METHOD A" REFERS TO COMMON WINDOWS (SURFACE MOUNTED). INSTALL WINDOW PER WINDOW MANUFACTURER REQUIREMENTS.
2. AS A BEST PRACTICE, SLOPE SILL PRIOR TO FLASHING INSTALLATION TO PROMOTE POSITIVE DRAINAGE. USE BACKDAM IN LIEU OF SHIM AS REQUIRED.
3. SEE PRODUCT SPECIFIC TECHNICAL DATA SHEET FOR ROLL SIZES, MAXIMUM UV EXPOSURE, COMPATIBILITY CONCERNS, APPLICATION TEMPERATURES AND SERVICE TEMPERATURE LIMITATIONS.
4. REFER TO THE PRODUCT SPECIFIC GUIDE SPECIFICATION FOR RECOMMENDED FLASHINGS.
5. FLASHINGS MAY NOT BE COMPATIBLE WITH ALL SEALANTS. USE SEALANTS AS INDICATED OR VERIFY COMPATIBILITY AS DIRECTED IN AAMA 713.
6. PROVIDE INTERIOR AIR AND WATER SEAL AT WINDOW PERIMETER PER WINDOW MANUFACTURER RECOMMENDATIONS.
7. SELF-ADHERED MEMBRANES MAY REQUIRE A PRIMER FOR OPTIMAL ADHESION TO SOME SURFACES AND/OR SUBSTRATE TEMPERATURES.
8. ROLL SELF-ADHERED MEMBRANES TO OBTAIN CONTINUOUS ADHESION.
9. VERIFY WEATHER-RESISTIVE BARRIER IS FREE FROM PROTRUSIONS OR DAMAGE PRIOR TO CLADDING INSTALLATION.
10. CONTACT HENRY AT 800-773-4777 FOR TECHNICAL ASSISTANCE.

Henry
A CARLISLE COMPANY

999 N. Pacific Coast Highway, Suite 800
El Segundo, CA 90245
800-486-1278 • www.henry.com

MECHANICALLY ATTACHED WEATHER-RESISTIVE BARRIER FLANGED WINDOW - METHOD A

**FORTIFLEX BUTYL
FLASHING INSTALLED BEFORE WRB - SEQUENCE INSTALLATION**

MANUFACTURER INSTALLATION GUIDELINES ARE FOR REFERENCE ONLY. HENRY DOES NOT ASSUME RESPONSIBILITY FOR ERRORS OR DEVIATIONS IN DESIGN OR ENGINEERING. PROJECT SPECIFIC VERIFICATION IS RECOMMENDED PRIOR TO INSTALLATION. DETAILS ARE NOT TO SCALE. REFER TO PRODUCT SPECIFIC TECHNICAL DATA SHEET FOR PRODUCT INFORMATION, RECOMMENDED AUXILIARY COMPONENTS AND INSTALLATION INSTRUCTIONS.

05-31-2022

PAGE 2 OF 2

MAWRB-6A-F2

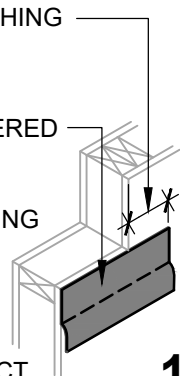
THE DEPICTED DETAIL SHOWS ONE OF THE SEVERAL COMMONLY ACCEPTED METHODS OF WINDOW INSTALLATION.



**HENRY 1-2-3 MOISTURE CONTROL SYSTEM
WEATHER-RESISTIVE BARRIER (WRB)
INSTALLATION GUIDELINES**

EXTEND SILL FLASHING TO MATCH JAMB FLASHING WIDTH

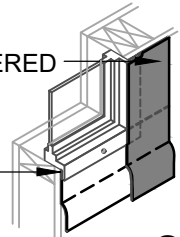
HENRY SELF-ADHERED OR HENRY MECHANICALLY ATTACHED FLASHING (SELF-ADHERED FLASHING: LEAVE BOTTOM OF RELEASE PAPER INTACT TO PROTECT ADHESIVE FROM DIRT AND DEBRIS)



1

HENRY SELF-ADHERED FLASHING

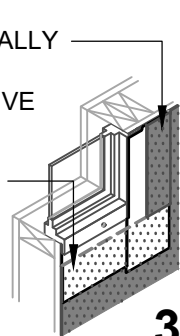
SET WINDOW FLANGE INTO A BED OF **MOISTOP SEALANT**



2

HENRY MECHANICALLY ATTACHED WEATHER-RESISTIVE BARRIER

TUCK WRB UNDER LOOSE FLASHING AND SECURE PER PRODUCT SPECIFIC INSTRUCTIONS



3

WINDOW FLASHING
ISOMETRIC VIEW

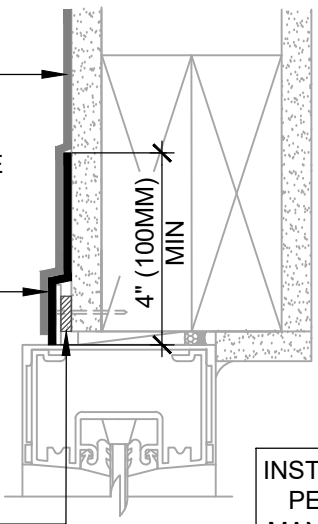
HENRY MECHANICALLY ATTACHED WEATHER-RESISTIVE BARRIER (SEE NOTE #2)

HENRY SELF-ADHERED OR HENRY LIQUID APPLIED FLASHING

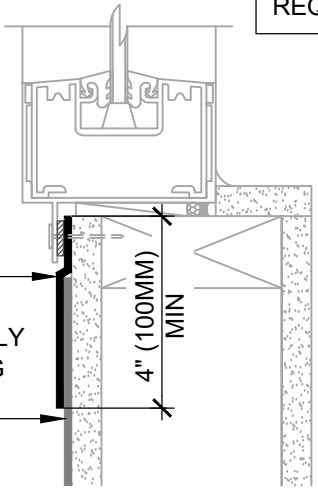
APPLY A CONTINUOUS 3/8" (10MM) BEAD OF **MOISTOP SEALANT** ON INTERIOR SIDE OF WINDOW FLANGE

HENRY SELF-ADHERED OR HENRY MECHANICALLY ATTACHED FLASHING

HENRY MECHANICALLY ATTACHED WEATHER-RESISTIVE BARRIER (SEE NOTE #2)



INSTALL WINDOW PER WINDOW MANUFACTURER REQUIREMENTS



ASTM E2112 - METHOD A
SECTION VIEW

NOTES

- VISIT WWW.HENRY.COM/WARRANTY FOR ELIGIBILITY REQUIREMENTS OF THE 15-YEAR RESIDENTIAL AND LIGHT COMMERCIAL HENRY 1-2-3 MOISTURE CONTROL SYSTEM WARRANTY.
- THIS DETAIL IS SUITABLE FOR **WEATHERSMART, WEATHERSMART COMMERCIAL, WEATHERSMART DRAINABLE, WEATHERSMART D, HYDRO TEX, JUMBO TEX, SUPER JUMBO TEX 60 MIN, TWO-PLY JUMBO TEX, TWO-PLY SUPER JUMBO TEX 60 MIN, AND PLYDRY.**
- INSTALL SHEATHING TAPE AT SEAMS TO CREATE AN AIR BARRIER ASSEMBLY AS REQUIRED. DO NOT TAPE HORIZONTAL SEAMS ON 2-PLY WRB ASSEMBLIES.
- INSTALLATION "METHOD A" REFERS TO COMMON WINDOWS (SURFACE MOUNTED). INSTALL WINDOW PER WINDOW MANUFACTURER REQUIREMENTS.
- INSTALLATIONS WITHOUT A DRAINAGE SILL PAN ARE LIMITED TO LOW WIND AND WATER EXPOSURE CONDITIONS.
- SEE PRODUCT SPECIFIC TECHNICAL DATA SHEET FOR ROLL SIZES, MAXIMUM UV EXPOSURE, COMPATIBILITY CONCERNS, APPLICATION TEMPERATURES AND SERVICE TEMPERATURE LIMITATIONS.
- REFER TO THE PRODUCT SPECIFIC GUIDE SPECIFICATION FOR RECOMMENDED FLASHINGS.
- SELF-ADHERED MEMBRANES MAY REQUIRE A PRIMER FOR OPTIMAL ADHESION TO SOME SURFACES AND/OR SUBSTRATE TEMPERATURES. REFER TO PRODUCT SPECIFIC TECHNICAL DATA SHEET FOR PRIMER REQUIREMENTS.
- VERIFY WEATHER-RESISTIVE BARRIER IS FREE FROM PROTRUSIONS OR DAMAGE PRIOR TO CLADDING INSTALLATION.
- CONTACT HENRY AT 800-773-4777 FOR TECHNICAL ASSISTANCE.



999 N. Pacific Coast Highway, Suite 800
El Segundo, CA 90245
800-486-1278 • www.henry.com

**MECHANICALLY ATTACHED WEATHER-RESISTIVE BARRIER
FLANGED WINDOW - METHOD A**

**WINDOW INSTALLATION FOR LOW WIND AND WATER EXPOSURE
FLASHING INSTALLED BEFORE WRB**

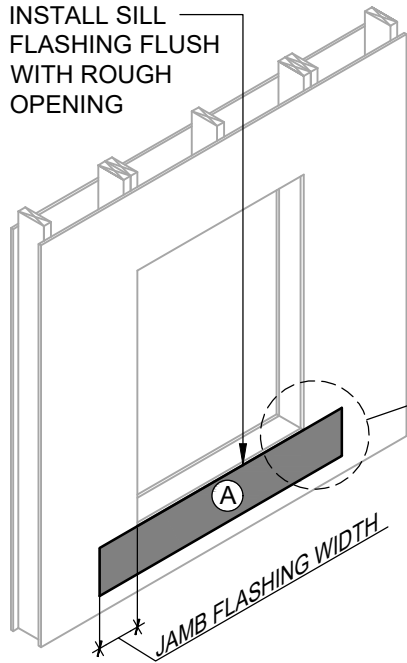
MANUFACTURER INSTALLATION GUIDELINES ARE FOR REFERENCE ONLY. HENRY DOES NOT ASSUME RESPONSIBILITY FOR ERRORS OR DEVIATIONS IN DESIGN OR ENGINEERING. PROJECT SPECIFIC VERIFICATION IS RECOMMENDED PRIOR TO INSTALLATION. DETAILS ARE NOT TO SCALE. REFER TO PRODUCT SPECIFIC TECHNICAL DATA SHEET FOR PRODUCT INFORMATION, RECOMMENDED AUXILIARY COMPONENTS AND INSTALLATION INSTRUCTIONS.

05-31-2022

PAGE 1 OF 1

MAWRB-6A-L1

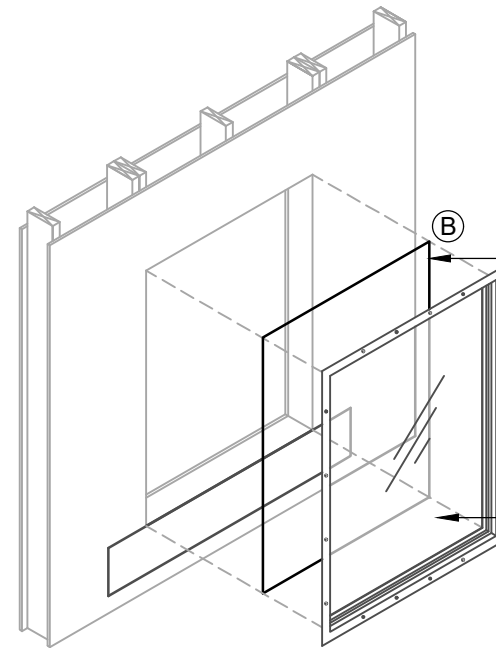
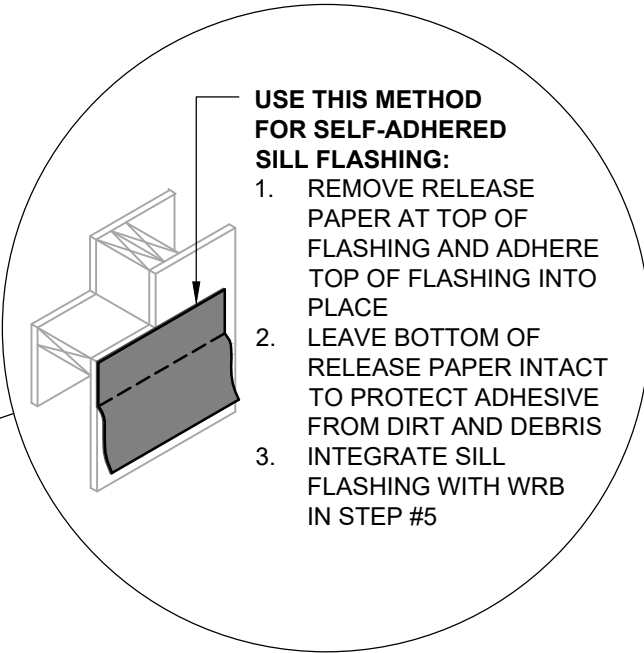
INSTALL SILL FLASHING FLUSH WITH ROUGH OPENING



1 SILL FLASHING INSTALLATION

USE THIS METHOD FOR SELF-ADHERED SILL FLASHING:

1. REMOVE RELEASE PAPER AT TOP OF FLASHING AND ADHERE TOP OF FLASHING INTO PLACE
2. LEAVE BOTTOM OF RELEASE PAPER INTACT TO PROTECT ADHESIVE FROM DIRT AND DEBRIS
3. INTEGRATE SILL FLASHING WITH WRB IN STEP #5



APPLY A CONTINUOUS 3/8" (10MM) BEAD OF **MOISTOP SEALANT** ON INTERIOR SIDE OF WINDOW FLANGE

INSTALL WINDOW PER WINDOW MANUFACTURER REQUIREMENTS

2 WINDOW INSTALLATION

Henry RESIDENTIAL AND LIGHT COMMERCIAL WEATHER-RESISTIVE BARRIER ASSEMBLY

WEATHER-RESISTIVE BARRIER (WRB) COMPONENTS

- (A) HENRY SELF-ADHERED OR MECHANICALLY ATTACHED FLASHING
- (B) HENRY MOISTOP SEALANT
- (C) HENRY SELF-ADHERED OR HENRY LIQUID APPLIED FLASHING
- (D) HENRY MECHANICALLY ATTACHED WEATHER-RESISTIVE BARRIER



HENRY 1-2-3 MOISTURE CONTROL SYSTEM WEATHER-RESISTIVE BARRIER (WRB) INSTALLATION GUIDELINES

NOTES

1. THE DEPICTED DETAIL SHOWS ONE OF THE SEVERAL COMMONLY ACCEPTED METHODS OF WINDOW INSTALLATION.
2. VISIT WWW.HENRY.COM/WARRANTY FOR ELIGIBILITY REQUIREMENTS OF THE 15-YEAR RESIDENTIAL AND LIGHT COMMERCIAL HENRY 1-2-3 MOISTURE CONTROL SYSTEM WARRANTY.
3. THIS DETAIL IS SUITABLE FOR **WEATHERSMART, WEATHERSMART COMMERCIAL, WEATHERSMART DRAINABLE, WEATHERSMART D, HYDRO TEX, JUMBO TEX, SUPER JUMBO TEX 60 MIN, TWO-PLY JUMBO TEX, TWO-PLY SUPER JUMBO TEX 60 MIN, AND PLYDRY.**



999 N. Pacific Coast Highway, Suite 800
El Segundo, CA 90245
800-486-1278 • www.henry.com

MECHANICALLY ATTACHED WEATHER-RESISTIVE BARRIER FLANGED WINDOW - METHOD A

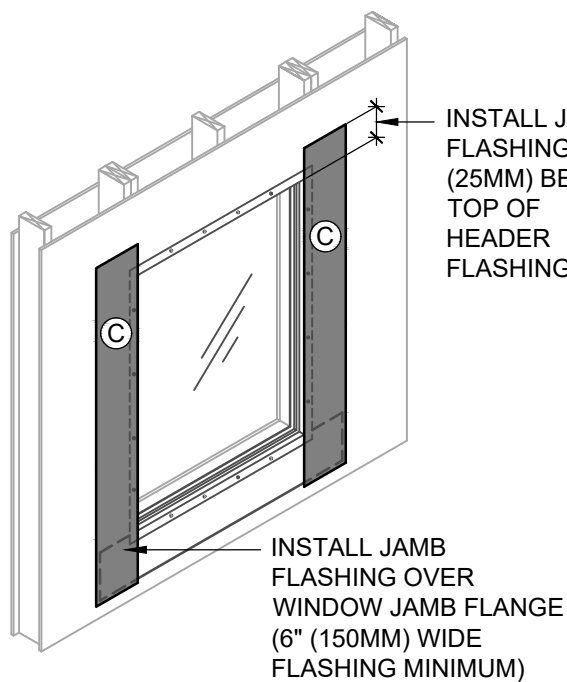
WINDOW INSTALLATION FOR LOW WIND AND WATER EXPOSURE FLASHING INSTALLED BEFORE WRB - INSTALLATION SEQUENCE

MANUFACTURER INSTALLATION GUIDELINES ARE FOR REFERENCE ONLY. HENRY DOES NOT ASSUME RESPONSIBILITY FOR ERRORS OR DEVIATIONS IN DESIGN OR ENGINEERING. PROJECT SPECIFIC VERIFICATION IS RECOMMENDED PRIOR TO INSTALLATION. DETAILS ARE NOT TO SCALE. REFER TO PRODUCT SPECIFIC TECHNICAL DATA SHEET FOR PRODUCT INFORMATION, RECOMMENDED AUXILIARY COMPONENTS AND INSTALLATION INSTRUCTIONS.

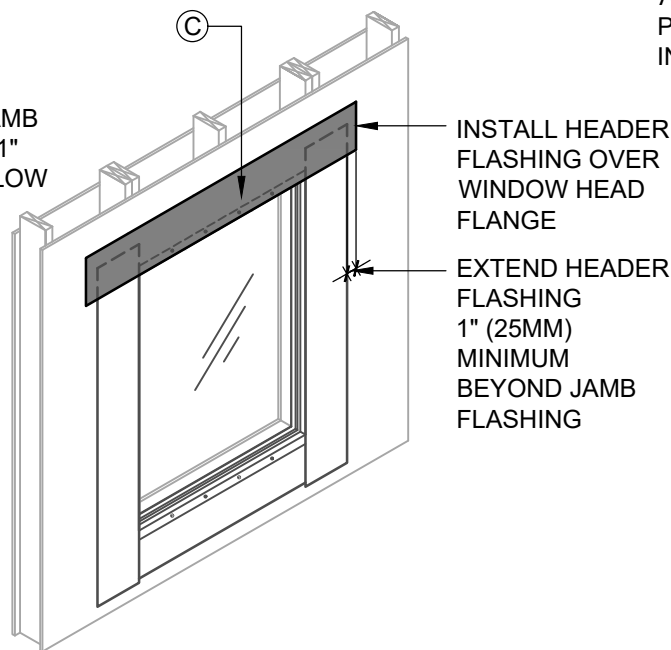
05-31-2022

PAGE 1 OF 2

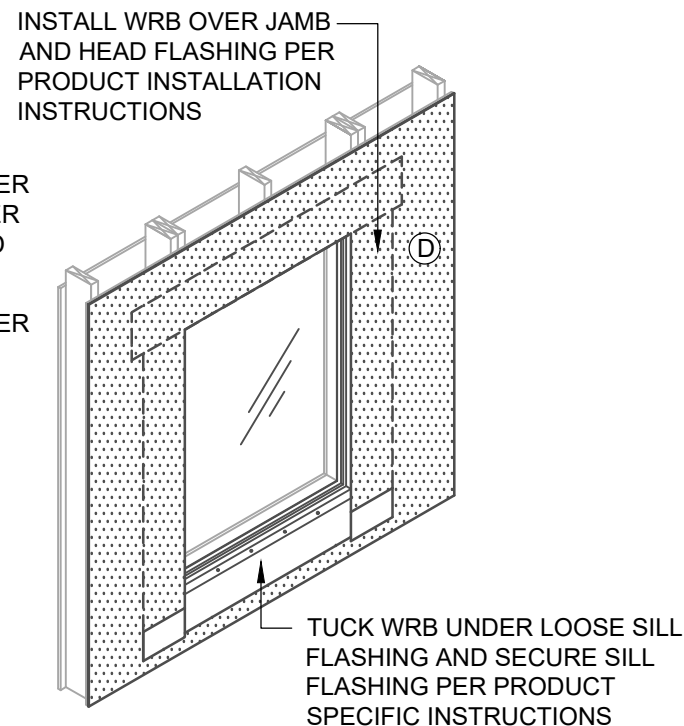
MAWRB-6A-L2



3 JAMB FLASHING INSTALLATION



4 HEADER FLASHING INSTALLATION



5 WEATHER-RESISTIVE BARRIER (WRB)

INSTALLATION GUIDELINES AND LIMITATIONS

1. INSTALLATION "METHOD A" REFERS TO COMMON WINDOWS (SURFACE MOUNTED). INSTALL WINDOW PER WINDOW MANUFACTURER REQUIREMENTS.
2. SEE PRODUCT SPECIFIC TECHNICAL DATA SHEET FOR ROLL SIZES, MAXIMUM UV EXPOSURE, COMPATIBILITY CONCERNS, APPLICATION TEMPERATURES AND SERVICE TEMPERATURE LIMITATIONS.
3. REFER TO THE HENRY PRODUCT SPECIFIC WRB GUIDE SPECIFICATION FOR RECOMMENDED FLASHINGS.
4. FLASHINGS MAY NOT BE COMPATIBLE WITH ALL SEALANTS. USE SEALANT AS INDICATED OR VERIFY COMPATIBILITY AS DIRECTED IN AAMA 713.
5. INSTALLATIONS WITHOUT A DRAINAGE SILL PAN ARE LIMITED TO LOW WIND AND WATER EXPOSURE CONDITIONS.
6. SELF-ADHERED MEMBRANES MAY REQUIRE A PRIMER FOR OPTIMAL ADHESION TO SOME SURFACES AND/OR SUBSTRATE TEMPERATURES.
7. ROLL SELF-ADHERED MEMBRANES TO OBTAIN CONTINUOUS ADHESION.
8. VERIFY WEATHER-RESISTIVE BARRIER IS FREE FROM PROTRUSIONS OR DAMAGE PRIOR TO CLADDING INSTALLATION.
9. CONTACT HENRY AT 800-773-4777 FOR TECHNICAL ASSISTANCE.



A CARLISLE COMPANY

999 N. Pacific Coast Highway, Suite 800
El Segundo, CA 90245
800-486-1278 • www.henry.com

**MECHANICALLY ATTACHED WEATHER-RESISTIVE BARRIER
FLANGED WINDOW - METHOD A**

**WINDOW INSTALLATION FOR LOW WIND AND WATER EXPOSURE
FLASHING INSTALLED BEFORE WRB - INSTALLATION SEQUENCE**

MANUFACTURER INSTALLATION GUIDELINES ARE FOR REFERENCE ONLY. HENRY DOES NOT ASSUME RESPONSIBILITY FOR ERRORS OR DEVIATIONS IN DESIGN OR ENGINEERING. PROJECT SPECIFIC VERIFICATION IS RECOMMENDED PRIOR TO INSTALLATION. DETAILS ARE NOT TO SCALE. REFER TO PRODUCT SPECIFIC TECHNICAL DATA SHEET FOR PRODUCT INFORMATION, RECOMMENDED AUXILIARY COMPONENTS AND INSTALLATION INSTRUCTIONS.

05-31-2022

PAGE 2 OF 2

MAWRB-6A-L2

THE DEPICTED DETAIL SHOWS ONE OF THE SEVERAL COMMONLY ACCEPTED METHODS OF WINDOW INSTALLATION.



**HENRY 1-2-3 MOISTURE CONTROL SYSTEM
WEATHER-RESISTIVE BARRIER (WRB)
INSTALLATION GUIDELINES**

EXTEND SILL FLASHING TO MATCH JAMB FLASHING WIDTH

HENRY SELF-ADHERED OR HENRY MECHANICALLY ATTACHED FLASHING (SELF-ADHERED FLASHING: LEAVE BOTTOM OF RELEASE PAPER INTACT TO PROTECT ADHESIVE FROM DIRT AND DEBRIS)

HENRY SELF-ADHERED OR HENRY MECHANICALLY ATTACHED FLASHING

SET WINDOW FLANGE INTO A BED OF **MOISTOP SEALANT**

HENRY MECHANICALLY ATTACHED WEATHER-RESISTIVE BARRIER

TUCK WRB UNDER LOOSE FLASHING AND SECURE PER PRODUCT SPECIFIC INSTRUCTIONS

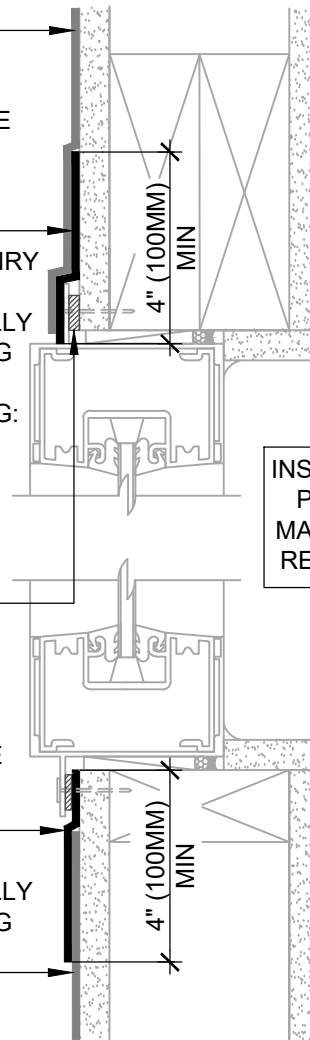
HENRY MECHANICALLY ATTACHED WEATHER-RESISTIVE BARRIER (SEE NOTE #2)

HENRY SELF-ADHERED, HENRY LIQUID APPLIED, OR HENRY MECHANICALLY ATTACHED FLASHING (MECHANICALLY ATTACHED FLASHING: EMBED FLASHING WITH 3/8" BEAD OF SEALANT ON MOUNTING FLANGE)

APPLY A CONTINUOUS 3/8" (10MM) BEAD OF **MOISTOP SEALANT** ON INTERIOR SIDE OF WINDOW FLANGE

HENRY SELF-ADHERED OR HENRY MECHANICALLY ATTACHED FLASHING

HENRY MECHANICALLY ATTACHED WEATHER-RESISTIVE BARRIER (SEE NOTE #2)



INSTALL WINDOW PER WINDOW MANUFACTURER REQUIREMENTS

NOTES

1. VISIT WWW.HENRY.COM/WARRANTY FOR ELIGIBILITY REQUIREMENTS OF THE 15-YEAR RESIDENTIAL AND LIGHT COMMERCIAL HENRY 1-2-3 MOISTURE CONTROL SYSTEM WARRANTY.
2. THIS DETAIL IS SUITABLE FOR **WEATHERSMART, WEATHERSMART COMMERCIAL, WEATHERSMART DRAINABLE, WEATHERSMART D, HYDRO TEX, JUMBO TEX, SUPER JUMBO TEX 60 MIN, TWO-PLY JUMBO TEX, TWO-PLY SUPER JUMBO TEX 60 MIN, AND PLYDRY**. INSTALL SHEATHING TAPE AT SEAMS TO CREATE AN AIR BARRIER ASSEMBLY AS REQUIRED. DO NOT TAPE SEAMS ON 2-PLY WRB ASSEMBLIES.
3. INSTALLATION "METHOD B" REFERS TO COMMON WINDOWS (SURFACE MOUNTED). INSTALL WINDOW PER WINDOW MANUFACTURER REQUIREMENTS.
4. INSTALLATIONS WITHOUT A DRAINAGE SILL PAN ARE LIMITED TO LOW WIND AND WATER EXPOSURE CONDITIONS.
5. SEE PRODUCT SPECIFIC TECHNICAL DATA SHEET FOR ROLL SIZES, MAXIMUM UV EXPOSURE, COMPATIBILITY CONCERNS, APPLICATION TEMPERATURES AND SERVICE TEMPERATURE LIMITATIONS.
6. REFER TO THE PRODUCT SPECIFIC GUIDE SPECIFICATION FOR RECOMMENDED FLASHINGS.
7. SELF-ADHERED MEMBRANES MAY REQUIRE A PRIMER FOR OPTIMAL ADHESION TO SOME SURFACES AND/OR SUBSTRATE TEMPERATURES. REFER TO PRODUCT SPECIFIC TECHNICAL DATA SHEET FOR PRIMER REQUIREMENTS.
8. VERIFY WEATHER-RESISTIVE BARRIER IS FREE FROM PROTRUSIONS OR DAMAGE PRIOR TO CLADDING INSTALLATION.
9. CONTACT HENRY AT 800-773-4777 FOR TECHNICAL ASSISTANCE.

WINDOW FLASHING
ISOMETRIC VIEW

ASTM E2112 - METHOD B
SECTION VIEW



A CARLISLE COMPANY

999 N. Pacific Coast Highway, Suite 800
El Segundo, CA 90245
800-486-1278 • www.henry.com

**MECHANICALLY ATTACHED WEATHER-RESISTIVE BARRIER
FLANGED WINDOW - METHOD B**

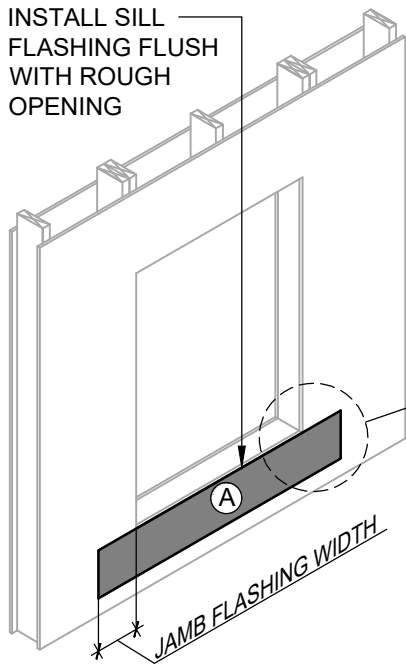
**WINDOW INSTALLATION FOR LOW WIND AND WATER EXPOSURE
FLASHING INSTALLED BEFORE WRB**

MANUFACTURER INSTALLATION GUIDELINES ARE FOR REFERENCE ONLY. HENRY DOES NOT ASSUME RESPONSIBILITY FOR ERRORS OR DEVIATIONS IN DESIGN OR ENGINEERING. PROJECT SPECIFIC VERIFICATION IS RECOMMENDED PRIOR TO INSTALLATION. DETAILS ARE NOT TO SCALE. REFER TO PRODUCT SPECIFIC TECHNICAL DATA SHEET FOR PRODUCT INFORMATION, RECOMMENDED AUXILIARY COMPONENTS AND INSTALLATION INSTRUCTIONS.

05-31-2022

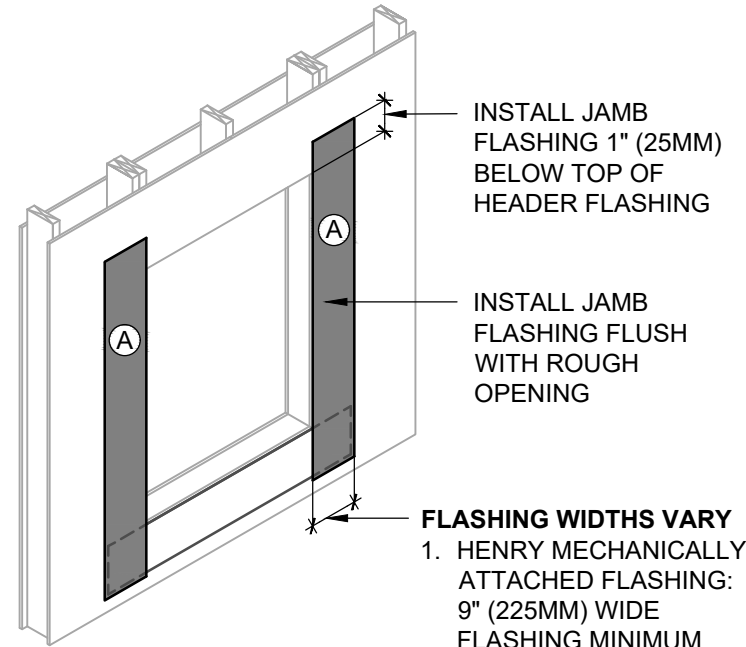
PAGE 1 OF 1

MAWRB-6B-L1



1 SILL FLASHING INSTALLATION

- USE THIS METHOD FOR SELF-ADHERED SILL FLASHING:**
1. REMOVE RELEASE PAPER AT TOP OF FLASHING AND ADHERE TOP OF FLASHING INTO PLACE
 2. LEAVE BOTTOM OF RELEASE PAPER INTACT TO PROTECT ADHESIVE FROM DIRT AND DEBRIS
 3. INTEGRATE SILL FLASHING WITH WRB IN STEP #5



2 JAMB FLASHING INSTALLATION

- FLASHING WIDTHS VARY**
1. HENRY MECHANICALLY ATTACHED FLASHING: 9" (225MM) WIDE FLASHING MINIMUM
 2. HENRY SELF-ADHERED OR HENRY LIQUID APPLIED FLASHING: 6" (150MM) WIDE FLASHING MINIMUM

Henry RESIDENTIAL AND LIGHT COMMERCIAL WEATHER-RESISTIVE BARRIER ASSEMBLY



HENRY 1-2-3 MOISTURE CONTROL SYSTEM WEATHER-RESISTIVE BARRIER (WRB) INSTALLATION GUIDELINES

WEATHER-RESISTIVE BARRIER (WRB) COMPONENTS

- (A) HENRY SELF-ADHERED OR MECHANICALLY ATTACHED FLASHING
- (B) HENRY SELF-ADHERED, HENRY LIQUID APPLIED, OR HENRY MECHANICALLY ATTACHED FLASHING
- (C) HENRY MOISTOP SEALANT
- (D) HENRY MECHANICALLY ATTACHED WEATHER-RESISTIVE BARRIER

NOTES

1. THE DEPICTED DETAIL SHOWS ONE OF THE SEVERAL COMMONLY ACCEPTED METHODS OF WINDOW INSTALLATION.
2. VISIT WWW.HENRY.COM/WARRANTY FOR ELIGIBILITY REQUIREMENTS OF THE 15-YEAR RESIDENTIAL AND LIGHT COMMERCIAL HENRY 1-2-3 MOISTURE CONTROL SYSTEM WARRANTY.
3. THIS DETAIL IS SUITABLE FOR **WEATHERSMART, WEATHERSMART COMMERCIAL, WEATHERSMART DRAINABLE, WEATHERSMART D, HYDRO TEX, JUMBO TEX, SUPER JUMBO TEX 60 MIN, TWO-PLY JUMBO TEX, TWO-PLY SUPER JUMBO TEX 60 MIN, AND PLYDRY.**

Henry
A CARLISLE COMPANY

999 N. Pacific Coast Highway, Suite 800
El Segundo, CA 90245
800-486-1278 • www.henry.com

MECHANICALLY ATTACHED WEATHER-RESISTIVE BARRIER FLANGED WINDOW - METHOD B

WINDOW INSTALLATION FOR LOW WIND AND WATER EXPOSURE FLASHING INSTALLED BEFORE WRB - INSTALLATION SEQUENCE

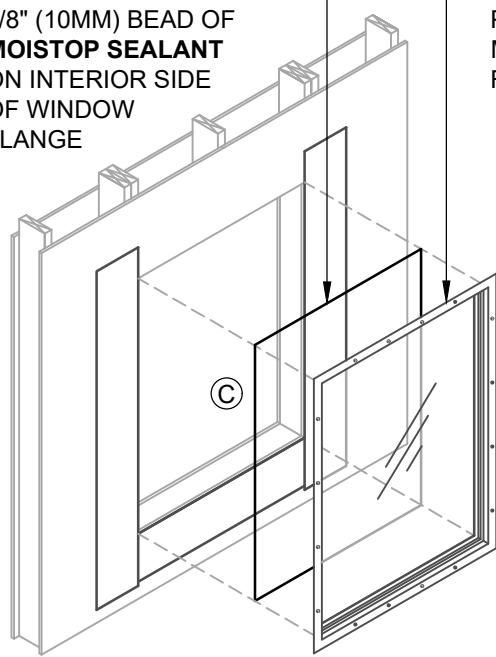
MANUFACTURER INSTALLATION GUIDELINES ARE FOR REFERENCE ONLY. HENRY DOES NOT ASSUME RESPONSIBILITY FOR ERRORS OR DEVIATIONS IN DESIGN OR ENGINEERING. PROJECT SPECIFIC VERIFICATION IS RECOMMENDED PRIOR TO INSTALLATION. DETAILS ARE NOT TO SCALE. REFER TO PRODUCT SPECIFIC TECHNICAL DATA SHEET FOR PRODUCT INFORMATION, RECOMMENDED AUXILIARY COMPONENTS AND INSTALLATION INSTRUCTIONS.

05-31-2022

PAGE 1 OF 2

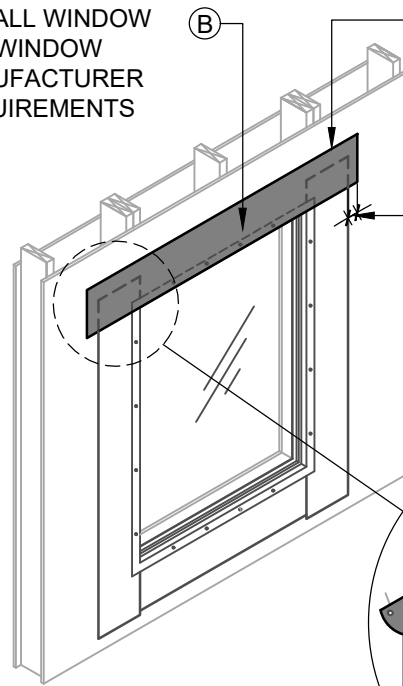
MAWRB-6B-L2

APPLY A CONTINUOUS 3/8" (10MM) BEAD OF **MOISTOP SEALANT** ON INTERIOR SIDE OF WINDOW FLANGE



3 WINDOW INSTALLATION

INSTALL WINDOW PER WINDOW MANUFACTURER REQUIREMENTS



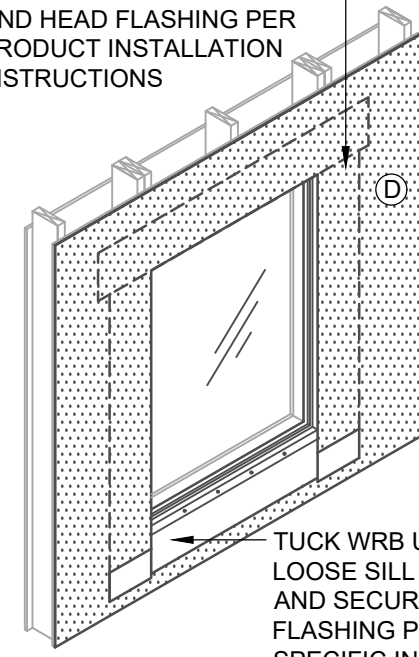
4 HEADER FLASHING INSTALLATION

INSTALL HEADER FLASHING OVER WINDOW HEAD FLANGE

EXTEND HEADER FLASHING 1" (25MM) MINIMUM BEYOND JAMB FLASHING

USE THIS METHOD FOR MECHANICALLY ATTACHED FLASHING: EMBED FLASHING WITH 3/8" BEAD OF SEALANT ON MOUNTING FLANGE

INSTALL WRB OVER JAMB AND HEAD FLASHING PER PRODUCT INSTALLATION INSTRUCTIONS



5 WEATHER-RESISTIVE BARRIER (WRB)

TUCK WRB UNDER LOOSE SILL FLASHING AND SECURE SILL FLASHING PER PRODUCT SPECIFIC INSTRUCTIONS

INSTALLATION GUIDELINES AND LIMITATIONS

1. INSTALLATION "METHOD B" REFERS TO COMMON WINDOWS (SURFACE MOUNTED). INSTALL WINDOW PER WINDOW MANUFACTURER REQUIREMENTS.
2. SEE PRODUCT SPECIFIC TECHNICAL DATA SHEET FOR ROLL SIZES, MAXIMUM UV EXPOSURE, COMPATIBILITY CONCERNS, APPLICATION TEMPERATURES AND SERVICE TEMPERATURE LIMITATIONS.
3. REFER TO THE HENRY PRODUCT SPECIFIC WRB GUIDE SPECIFICATION FOR RECOMMENDED FLASHINGS.
4. FLASHINGS MAY NOT BE COMPATIBLE WITH ALL SEALANTS. USE SEALANTS AS INDICATED OR VERIFY COMPATIBILITY AS DIRECTED IN AAMA 713.
5. INSTALLATIONS WITHOUT A DRAINAGE SILL PAN ARE LIMITED TO LOW WIND AND WATER EXPOSURE CONDITIONS.
6. SELF-ADHERED MEMBRANES MAY REQUIRE A PRIMER FOR OPTIMAL ADHESION TO SOME SURFACES AND/OR SUBSTRATE TEMPERATURES.
7. ROLL SELF-ADHERED MEMBRANES TO OBTAIN CONTINUOUS ADHESION.
8. VERIFY WEATHER-RESISTIVE BARRIER IS FREE FROM PROTRUSIONS OR DAMAGE PRIOR TO CLADDING INSTALLATION.
9. CONTACT HENRY AT 800-773-4777 FOR TECHNICAL ASSISTANCE.



A CARLISLE COMPANY

999 N. Pacific Coast Highway, Suite 800
El Segundo, CA 90245
800-486-1278 • www.henry.com

**MECHANICALLY ATTACHED WEATHER-RESISTIVE BARRIER
FLANGED WINDOW - METHOD B**

**WINDOW INSTALLATION FOR LOW WIND AND WATER EXPOSURE
FLASHING INSTALLED BEFORE WRB - INSTALLATION SEQUENCE**

MANUFACTURER INSTALLATION GUIDELINES ARE FOR REFERENCE ONLY. HENRY DOES NOT ASSUME RESPONSIBILITY FOR ERRORS OR DEVIATIONS IN DESIGN OR ENGINEERING. PROJECT SPECIFIC VERIFICATION IS RECOMMENDED PRIOR TO INSTALLATION. DETAILS ARE NOT TO SCALE. REFER TO PRODUCT SPECIFIC TECHNICAL DATA SHEET FOR PRODUCT INFORMATION, RECOMMENDED AUXILIARY COMPONENTS AND INSTALLATION INSTRUCTIONS.

05-31-2022

PAGE 2 OF 2

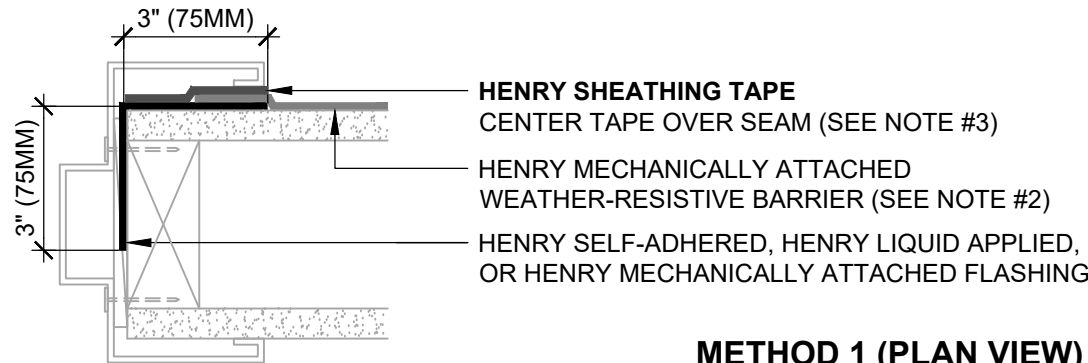
MAWRB-6B-L2



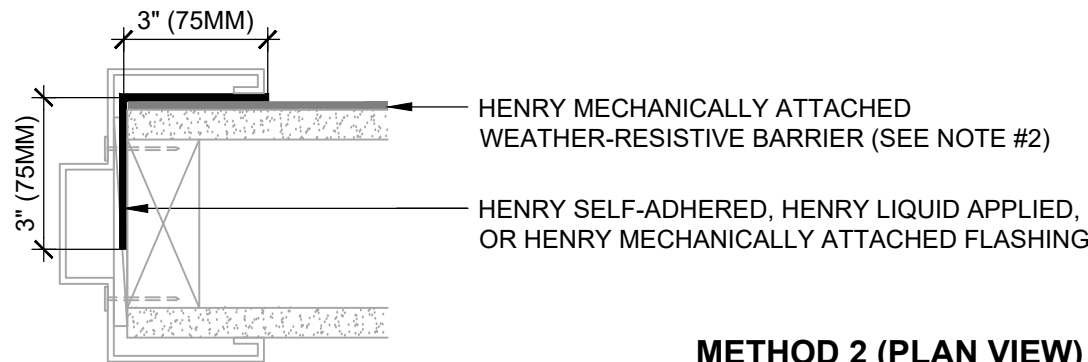
**HENRY 1-2-3 MOISTURE CONTROL SYSTEM
WEATHER-RESISTIVE BARRIER (WRB)
INSTALLATION GUIDELINES**

NOTES

1. VISIT WWW.HENRY.COM/WARRANTY FOR ELIGIBILITY REQUIREMENTS OF THE 15-YEAR RESIDENTIAL AND LIGHT COMMERCIAL HENRY 1-2-3 MOISTURE CONTROL SYSTEM WARRANTY.
2. THIS DETAIL IS SUITABLE FOR **WEATHERSMART, WEATHERSMART COMMERCIAL, WEATHERSMART DRAINABLE, WEATHERSMART D, HYDRO TEX, JUMBO TEX, SUPER JUMBO TEX 60 MIN, TWO-PLY JUMBO TEX, TWO-PLY SUPER JUMBO TEX 60 MIN, AND PLYDRY.**
3. INSTALL SHEATHING TAPE AT SEAMS TO CREATE AN AIR BARRIER ASSEMBLY AS REQUIRED. DO NOT TAPE HORIZONTAL SEAMS ON 2-PLY WRB ASSEMBLIES.
4. SEE PRODUCT SPECIFIC TECHNICAL DATA SHEET FOR ROLL SIZES, MAXIMUM UV EXPOSURE, COMPATIBILITY CONCERNS, APPLICATION TEMPERATURES AND SERVICE TEMPERATURE LIMITATIONS.
5. REFER TO THE PRODUCT SPECIFIC GUIDE SPECIFICATION FOR RECOMMENDED FLASHINGS.
6. CLADDING, INSULATION, AND OPTIONAL INTERIOR VAPOR BARRIER NOT SHOWN FOR CLARITY. REFER TO LOCAL CODE ORDINANCES FOR INSULATION AND VAPOR BARRIER REQUIREMENTS.
7. SELF-ADHERED MEMBRANES MAY REQUIRE A PRIMER FOR OPTIMAL ADHESION TO SOME SURFACES AND/OR SUBSTRATE TEMPERATURES. REFER TO PRODUCT SPECIFIC TECHNICAL DATA SHEET FOR PRIMER REQUIREMENTS.
8. ROLL SELF-ADHERED MEMBRANES TO OBTAIN CONTINUOUS ADHESION.
9. VERIFY WEATHER-RESISTIVE BARRIER IS FREE FROM PROTRUSIONS OR DAMAGE PRIOR TO CLADDING INSTALLATION.
10. CONTACT HENRY AT 800-773-4777 FOR TECHNICAL ASSISTANCE.



METHOD 1 (PLAN VIEW)
FLASHING INSTALLED BEFORE WRB



METHOD 2 (PLAN VIEW)
FLASHING INSTALLED AFTER WRB



A CARLISLE COMPANY

999 N. Pacific Coast Highway, Suite 800
El Segundo, CA 90245
800-486-1278 • www.henry.com

**MECHANICALLY ATTACHED WEATHER-RESISTIVE BARRIER
DOOR JAMB**

**TYPICAL JAMB FLASHING OPTIONS
HOLLOW METAL DOOR JAMB**

MANUFACTURER INSTALLATION GUIDELINES ARE FOR REFERENCE ONLY. HENRY DOES NOT ASSUME RESPONSIBILITY FOR ERRORS OR DEVIATIONS IN DESIGN OR ENGINEERING. PROJECT SPECIFIC VERIFICATION IS RECOMMENDED PRIOR TO INSTALLATION. DETAILS ARE NOT TO SCALE. REFER TO PRODUCT SPECIFIC TECHNICAL DATA SHEET FOR PRODUCT INFORMATION, RECOMMENDED AUXILIARY COMPONENTS AND INSTALLATION INSTRUCTIONS.

05-31-2022

PAGE 1 OF 1

MAWRB-6C

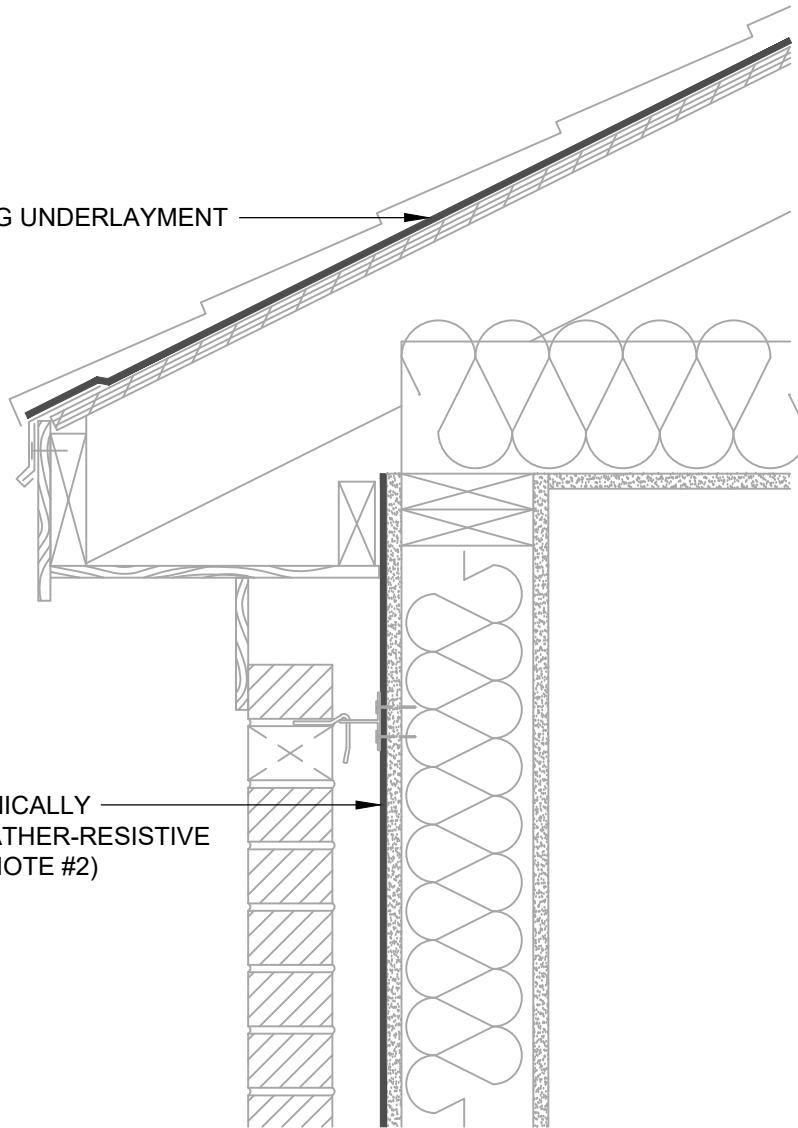


HENRY 1-2-3 MOISTURE CONTROL SYSTEM WEATHER-RESISTIVE BARRIER (WRB) INSTALLATION GUIDELINES

NOTES

1. VISIT WWW.HENRY.COM/WARRANTY FOR ELIGIBILITY REQUIREMENTS OF THE 15-YEAR RESIDENTIAL AND LIGHT COMMERCIAL HENRY 1-2-3 MOISTURE CONTROL SYSTEM WARRANTY.
2. THIS DETAIL IS SUITABLE FOR **WEATHERSMART, WEATHERSMART COMMERCIAL, WEATHERSMART DRAINABLE, WEATHERSMART D, HYDRO TEX, JUMBO TEX, SUPER JUMBO TEX 60 MIN, TWO-PLY JUMBO TEX, TWO-PLY SUPER JUMBO TEX 60 MIN, AND PLYDRY.**
3. INSTALL SHEATHING TAPE AT SEAMS TO CREATE AN AIR BARRIER ASSEMBLY AS REQUIRED. DO NOT TAPE HORIZONTAL SEAMS ON 2-PLY WRB ASSEMBLIES.
4. SEE PRODUCT SPECIFIC TECHNICAL DATA SHEET FOR ROLL SIZES, MAXIMUM UV EXPOSURE, COMPATIBILITY CONCERNS, APPLICATION TEMPERATURES AND SERVICE TEMPERATURE LIMITATIONS.
5. REFER TO THE PRODUCT SPECIFIC GUIDE SPECIFICATION FOR RECOMMENDED FLASHINGS.
6. OPTIONAL INTERIOR VAPOR BARRIER NOT SHOWN FOR CLARITY. REFER TO LOCAL CODE ORDINANCES FOR INSULATION AND VAPOR BARRIER REQUIREMENTS.
7. SELF-ADHERED MEMBRANES MAY REQUIRE A PRIMER FOR OPTIMAL ADHESION TO SOME SURFACES AND/OR SUBSTRATE TEMPERATURES. REFER TO PRODUCT SPECIFIC TECHNICAL DATA SHEET FOR PRIMER REQUIREMENTS.
8. ROLL SELF-ADHERED MEMBRANES TO OBTAIN CONTINUOUS ADHESION.
9. VERIFY WEATHER-RESISTIVE BARRIER IS FREE FROM PROTRUSIONS OR DAMAGE PRIOR TO CLADDING INSTALLATION.
10. CONTACT HENRY AT 800-773-4777 FOR TECHNICAL ASSISTANCE.

HENRY ROOFING UNDERLAYMENT
AS SPECIFIED



HENRY MECHANICALLY
ATTACHED WEATHER-RESISTIVE
BARRIER (SEE NOTE #2)

Henry

A CARLISLE COMPANY

999 N. Pacific Coast Highway, Suite 800
El Segundo, CA 90245
800-486-1278 • www.henry.com

MECHANICALLY ATTACHED WEATHER-RESISTIVE BARRIER SLOPED ROOF TRANSITION

HENRY MECHANICALLY ATTACHED WRB AND HENRY ROOFING
UNDERLAYMENT TOP OF WALL CONNECTION AT A SLOPED ROOF

MANUFACTURER INSTALLATION GUIDELINES ARE FOR REFERENCE ONLY. HENRY DOES NOT ASSUME RESPONSIBILITY FOR ERRORS OR DEVIATIONS IN DESIGN OR ENGINEERING. PROJECT SPECIFIC VERIFICATION IS RECOMMENDED PRIOR TO INSTALLATION. DETAILS ARE NOT TO SCALE. REFER TO PRODUCT SPECIFIC TECHNICAL DATA SHEET FOR PRODUCT INFORMATION, RECOMMENDED AUXILIARY COMPONENTS AND INSTALLATION INSTRUCTIONS.

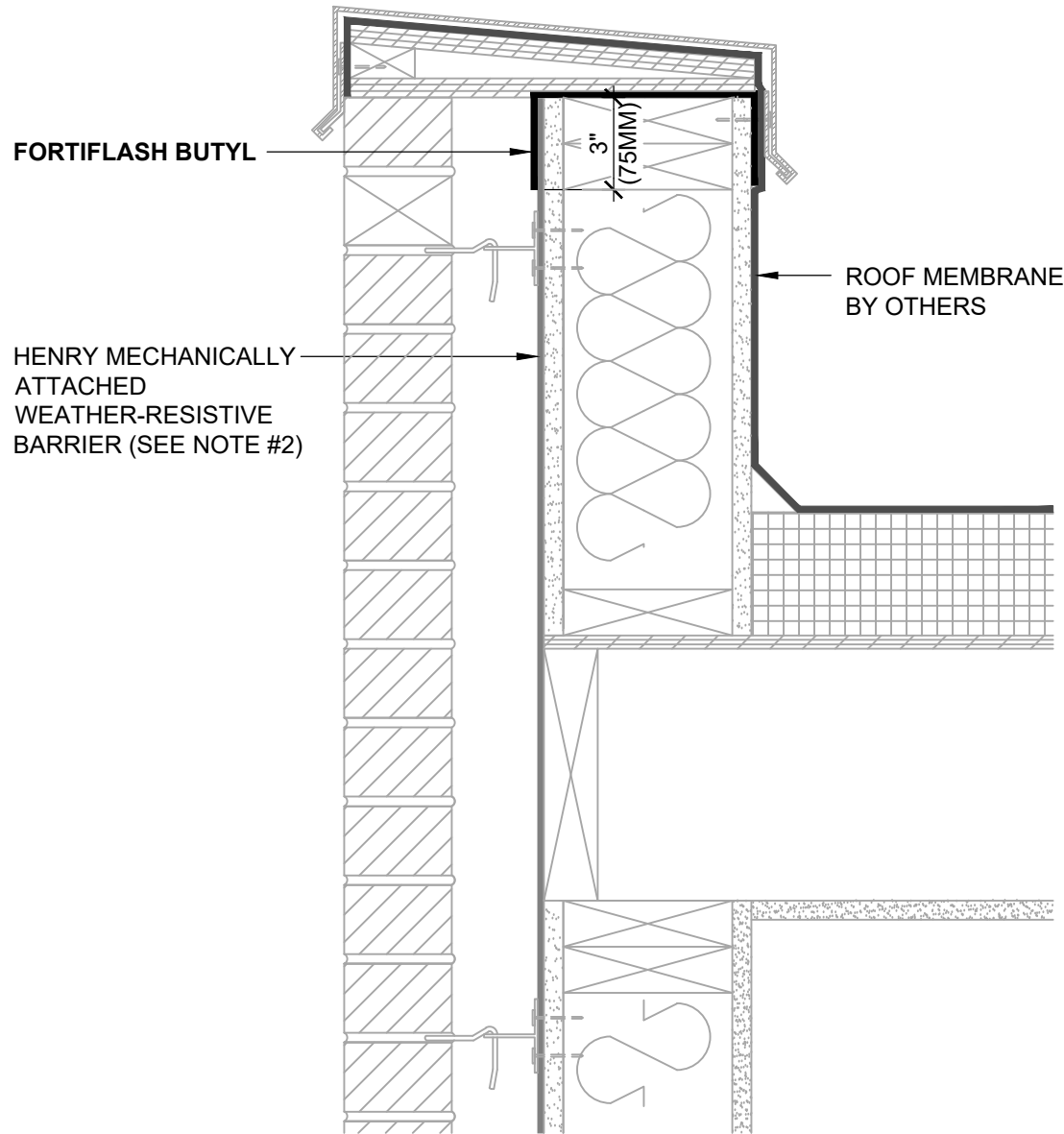
05-31-2022

PAGE 1 OF 1

MAWRB-9A



**HENRY 1-2-3 MOISTURE CONTROL SYSTEM
WEATHER-RESISTIVE BARRIER (WRB)
INSTALLATION GUIDELINES**



NOTES

1. VISIT WWW.HENRY.COM/WARRANTY FOR ELIGIBILITY REQUIREMENTS OF THE 15-YEAR RESIDENTIAL AND LIGHT COMMERCIAL HENRY 1-2-3 MOISTURE CONTROL SYSTEM WARRANTY.
2. THIS DETAIL IS SUITABLE FOR **WEATHERSMART, WEATHERSMART COMMERCIAL, WEATHERSMART DRAINABLE, WEATHERSMART D, HYDRO TEX, JUMBO TEX, SUPER JUMBO TEX 60 MIN, TWO-PLY JUMBO TEX, TWO-PLY SUPER JUMBO TEX 60 MIN, AND PLYDRY.**
3. INSTALL SHEATHING TAPE AT SEAMS TO CREATE AN AIR BARRIER ASSEMBLY AS REQUIRED. DO NOT TAPE HORIZONTAL SEAMS ON 2-PLY WRB ASSEMBLIES.
4. SEE PRODUCT SPECIFIC TECHNICAL DATA SHEET FOR ROLL SIZES, MAXIMUM UV EXPOSURE, COMPATIBILITY CONCERNS, APPLICATION TEMPERATURES AND SERVICE TEMPERATURE LIMITATIONS.
5. REFER TO THE PRODUCT SPECIFIC GUIDE SPECIFICATION FOR RECOMMENDED FLASHINGS.
6. OPTIONAL INTERIOR VAPOR BARRIER NOT SHOWN FOR CLARITY. REFER TO LOCAL CODE ORDINANCES FOR INSULATION AND VAPOR BARRIER REQUIREMENTS.
7. SELF-ADHERED MEMBRANES MAY REQUIRE A PRIMER FOR OPTIMAL ADHESION TO SOME SURFACES AND/OR SUBSTRATE TEMPERATURES. REFER TO PRODUCT SPECIFIC TECHNICAL DATA SHEET FOR PRIMER REQUIREMENTS.
8. ROLL SELF-ADHERED MEMBRANES TO OBTAIN CONTINUOUS ADHESION.
9. VERIFY WEATHER-RESISTIVE BARRIER IS FREE FROM PROTRUSIONS OR DAMAGE PRIOR TO CLADDING INSTALLATION.
10. CONTACT HENRY AT 800-773-4777 FOR TECHNICAL ASSISTANCE.

Henry[®]

A CARLISLE COMPANY

999 N. Pacific Coast Highway, Suite 800
El Segundo, CA 90245
800-486-1278 • www.henry.com

**MECHANICALLY ATTACHED WEATHER-RESISTIVE BARRIER
PARAPET TRANSITION**

**HENRY MECHANICALLY ATTACHED WRB INSTALLED ON FRONT OF
WALL AND ROOFING ASSEMBLY INSTALLED ON BACK OF WALL**

MANUFACTURER INSTALLATION GUIDELINES ARE FOR REFERENCE ONLY. HENRY DOES NOT ASSUME RESPONSIBILITY FOR ERRORS OR DEVIATIONS IN DESIGN OR ENGINEERING. PROJECT SPECIFIC VERIFICATION IS RECOMMENDED PRIOR TO INSTALLATION. DETAILS ARE NOT TO SCALE. REFER TO PRODUCT SPECIFIC TECHNICAL DATA SHEET FOR PRODUCT INFORMATION, RECOMMENDED AUXILIARY COMPONENTS AND INSTALLATION INSTRUCTIONS.

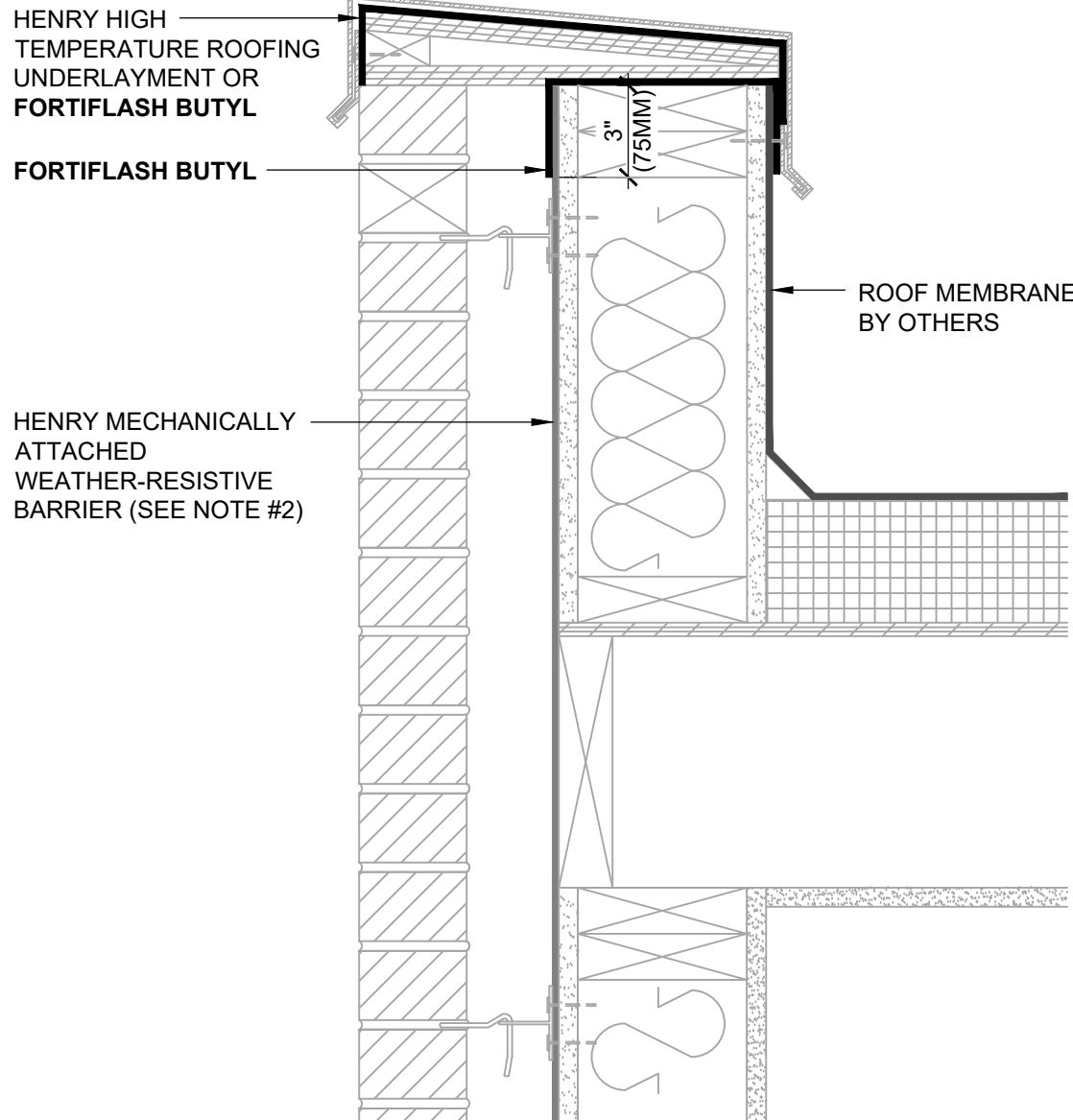
05-31-2022

PAGE 1 OF 1

MAWRB-9B



**HENRY 1-2-3 MOISTURE CONTROL SYSTEM
WEATHER-RESISTIVE BARRIER (WRB)
INSTALLATION GUIDELINES**



NOTES

1. VISIT WWW.HENRY.COM/WARRANTY FOR ELIGIBILITY REQUIREMENTS OF THE 15-YEAR RESIDENTIAL AND LIGHT COMMERCIAL HENRY 1-2-3 MOISTURE CONTROL SYSTEM WARRANTY.
2. THIS DETAIL IS SUITABLE FOR **WEATHERSMART, WEATHERSMART COMMERCIAL, WEATHERSMART DRAINABLE, WEATHERSMART D, HYDRO TEX, JUMBO TEX, SUPER JUMBO TEX 60 MIN, TWO-PLY JUMBO TEX, TWO-PLY SUPER JUMBO TEX 60 MIN, AND PLYDRY.**
3. INSTALL SHEATHING TAPE AT SEAMS TO CREATE AN AIR BARRIER ASSEMBLY AS REQUIRED. DO NOT TAPE HORIZONTAL SEAMS ON 2-PLY WRB ASSEMBLIES.
4. SEE PRODUCT SPECIFIC TECHNICAL DATA SHEET FOR ROLL SIZES, MAXIMUM UV EXPOSURE, COMPATIBILITY CONCERNS, APPLICATION TEMPERATURES AND SERVICE TEMPERATURE LIMITATIONS.
5. REFER TO THE PRODUCT SPECIFIC GUIDE SPECIFICATION FOR RECOMMENDED FLASHINGS.
6. OPTIONAL INTERIOR VAPOR BARRIER NOT SHOWN FOR CLARITY. REFER TO LOCAL CODE ORDINANCES FOR INSULATION AND VAPOR BARRIER REQUIREMENTS.
7. SELF-ADHERED MEMBRANES MAY REQUIRE A PRIMER FOR OPTIMAL ADHESION TO SOME SURFACES AND/OR SUBSTRATE TEMPERATURES. REFER TO PRODUCT SPECIFIC TECHNICAL DATA SHEET FOR PRIMER REQUIREMENTS.
8. ROLL SELF-ADHERED MEMBRANES TO OBTAIN CONTINUOUS ADHESION.
9. VERIFY WEATHER-RESISTIVE BARRIER IS FREE FROM PROTRUSIONS OR DAMAGE PRIOR TO CLADDING INSTALLATION.
10. CONTACT HENRY AT 800-773-4777 FOR TECHNICAL ASSISTANCE.



A CARLISLE COMPANY

999 N. Pacific Coast Highway, Suite 800
El Segundo, CA 90245
800-486-1278 • www.henry.com

**MECHANICALLY ATTACHED WEATHER-RESISTIVE BARRIER
PARAPET TRANSITION**

**HENRY MECHANICALLY ATTACHED WRB INSTALLED
ON FRONT OF WALL AND ON BACK OF WALL**

MANUFACTURER INSTALLATION GUIDELINES ARE FOR REFERENCE ONLY. HENRY DOES NOT ASSUME RESPONSIBILITY FOR ERRORS OR DEVIATIONS IN DESIGN OR ENGINEERING. PROJECT SPECIFIC VERIFICATION IS RECOMMENDED PRIOR TO INSTALLATION. DETAILS ARE NOT TO SCALE. REFER TO PRODUCT SPECIFIC TECHNICAL DATA SHEET FOR PRODUCT INFORMATION, RECOMMENDED AUXILIARY COMPONENTS AND INSTALLATION INSTRUCTIONS.

05-31-2022

PAGE 1 OF 1

MAWRB-9C

Warranty

Residential and Light Commercial Henry® 1-2-3 Moisture Control System™ Warranty

This system is expressly warranted for a period of fifteen (15) years from purchase that it will perform to Henry Company LLC (and its subsidiaries and affiliates, hereinafter collectively “Henry”) published specifications when installed according to Henry installation procedures and accepted industry standards or following installation details prepared by a properly licensed design professional. In the event of a warranty claim, Henry will pay the cost of materials and labor to correct leaks that result solely from the failure of Henry product as expressly warranted above.

The installed system must include one of each of the following three items:

1. A Weather resistive barrier (Blueskin® VP 100, WeatherSmart®, WeatherSmart Drainable, WeatherSmart D, WeatherSmart Commercial, Hydro Tex®, Super Jumbo Tex®, or Jumbo Tex brands)
2. Flashing (FortiFlash®, FortiFlash Butyl, FortiFlash 365, FortiFlex® Butyl, Moistop neXT®, Moistop PF®, Moistop EZ Seal®, Blueskin® Butyl Flash or Air-Bloc LF®)
3. Sealant (Moistop® Sealant)

When the complete system is used with all of the above components, any of the following accessories used (Moistop® Corner Shields, WeatherSmart® Rainscreen, Aquatac® Primer, Sheathing Tape) will also be covered by this warranty.

TO THE EXTENT PERMITTED BY APPLICABLE LAW, HENRY DISCLAIMS ALL OTHER WARRANTIES, GUARANTEES, CONDITIONS AND REPRESENTATIONS, EXPRESS OR IMPLIED, ORAL OR WRITTEN, STATUTORY OR OTHERWISE, INCLUDING BUT NOT LIMITED TO ANY IMPLIED CONDITIONS OR WARRANTIES AS TO THE MERCHANTABILITY OR FITNESS FOR A PARTICULAR PURPOSE.

THIS WARRANTY SHALL BE THE OWNER’S SOLE AND EXCLUSIVE REMEDY AGAINST HENRY AND UNDER NO CIRCUMSTANCES SHALL HENRY BE LIABLE FOR (1) ANY DAMAGES BASED ON ANY LEGAL THEORY OF LIABILITY OTHER THAN THE EXCLUSIVE LIABILITY SET FORTH IN THIS WARRANTY OR (2) ANY DIRECT, INDIRECT, CONSEQUENTIAL, EXEMPLARY, SPECIAL, INCIDENTAL OR OTHER DAMAGES INCLUDING, BUT NOT LIMITED TO, LOSS OF PROFITS, LOSS OF USE, OR DAMAGE TO THE BUILDING OR ITS CONTENTS.

IF ANY TERM OR CONDITION OF THIS WARRANTY IS LIMITED BY APPLICABLE LAW, THEN SUCH TERM OR CONDITION IS DEEMED SEVERED TO THE EXTENT SO LIMITED.

Warranty claims must be made in writing to Henry by email at warranty@henry.com no later than thirty (30) days after a potential claim covered under this warranty is or should by reasonable diligence have been discovered. Failure to give such notice within the time stated herein shall relieve Henry of all liability and any obligation to repair any leak otherwise covered by this warranty.

If the installation or use of these products do not qualify for this fifteen (15) year warranty, Henry’s standard product warranty will apply.

Henry Standard Product Warranty Information

We, the manufacturer, warrant only that this product is free of defects, since many factors which affect the results obtained from this product – such as weather, workmanship, equipment utilized, and prior condition of the substrate – are all beyond our control. We will replace at no charge any product proved to have a material defect within 12-months of purchase, provided it has been applied in accordance with our written directions for uses we recommend as suitable for this product. Proof of purchase must be provided.

DISCLAIMER OF WARRANTIES AND LIMITATION OF LIABILITY: THIS LIMITED WARRANTY IS IN LIEU OF ANY OTHER WARRANTIES, EXPRESS OR IMPLIED, INCLUDING BUT NOT LIMITED TO ANY IMPLIED WARRANTY OF MERCHANTABILITY OR FITNESS FOR A PARTICULAR PURPOSE. NO ONE, INCLUDING THE MANUFACTURER, SHALL HAVE ANY LIABILITY OF ANY KIND BEYOND PRODUCT REPLACEMENT, INCLUDING FOR NEGLIGENCE OR FOR DIRECT, CONSEQUENTIAL, EXEMPLARY OR INCIDENTAL DAMAGES, RESULTING FROM ANY MISUSE, DEFECTS OR DELAYS CAUSED BY REPLACEMENT OR OTHERWISE. IF PURCHASER DOES NOT ACCEPT THESE TERMS, PURCHASER MAY RETURN WITHIN 30-DAYS OF PURCHASE ALL UNOPENED CONTAINERS OR PACKAGES OF PRODUCT PURCHASED FOR A FULL REFUND. RETENTION OF PRODUCT BEYOND 30-DAYS, OR USE OF PRODUCT SHALL CONSTITUTE ACCEPTANCE OF THESE TERMS, CONDITIONS, AND DISCLAIMERS. THIS LIMITED WARRANTY AND LIABILITY DISCLAIMER PROVIDES THE PURCHASER'S EXCLUSIVE REMEDY FOR ANYTHING RELATING TO THE PRODUCT.

To the extent that any part of this LIMITED PRODUCT WARRANTY AND LIABILITY DISCLAIMER is determined unenforceable under the law of the place of purchase of the product, that part is severed and the remainder of these terms remain in full force and effect. To the extent permitted by law, the duration of any implied warranties is limited to the duration of Henry's express warranty.

This warranty language supersedes any language including product labels, sell sheets and/or technical documents.

For additional information on Henry's warranty programs, including Henry's standard product warranty, visit <https://us.henry.com/warranty>



DIVISION: 07 00 00—THERMAL AND MOISTURE PROTECTION

Section: 07 25 00—Water-Resistive Barriers/Weather Barriers

Section: 07 27 00—Air Barriers

REPORT HOLDER:

FORTIFIBER BUILDING SYSTEMS GROUP®

EVALUATION SUBJECT:

JUMBO TEX®, JUMBO TEX HD 30 MINUTE®, SUPER JUMBO TEX 60 MINUTE®, WEATHERSMART®, TWO-PLY WEATHER TEX®, TWO-PLY HYDRO TEX®, AND PLYDRY® WATER-RESISTIVE BARRIERS

1.0 EVALUATION SCOPE

1.1 Compliance with the following codes:

- 2021, 2018 and 2015 *International Building Code*® (IBC)
- 2021, 2018 and 2015 *International Residential Code*® (IRC)
- 2021, 2018 and 2015 *International Energy Conservation Code*® (IECC)

Properties evaluated:

- Physical properties
- Air barrier
- Surface-burning characteristics

1.2 Evaluation to the following green code(s) and/or standards:

- 2019 California Green Building Standards Code (CALGreen), Title 24, Part 11
- 2021, 2018 and 2015 *International Green Construction Code*® (IgCC)
- 2020, 2017 and 2014 ANSI/ASHRAE/USGBC/IES Standard 189.1—Standard for the Design of High-Performance Green Buildings, Except Low-Rise Residential Buildings
- 2020 and 2015 ICC 700 *National Green Building Standard*™ (ICC 700-2020 and ICC 700-2015)

Attributes verified:

- See Section 2.0

2.0 USES

Jumbo Tex, Jumbo Tex HD 30 Minute, Super Jumbo Tex 60 Minute, WeatherSmart, Two-Ply Weather Tex, Two-Ply Hydro Tex, and PlyDry are alternatives to the water-resistive barriers specified in 2021 and 2018 IBC Section 1403.2, and 2015 IBC Section 1404.2, and IRC Section R703.2, as applicable. When applied in two layers, they also comply with the water-resistive barrier requirements of 2021 IBC Section 2510.6, and IRC Section R703.6.3, as applicable.

The water-resistive barriers are used on the exterior side of exterior walls of structures regulated under the IRC, and buildings of Type V-B construction under the IBC except as noted in Section 4.2.

WeatherSmart may be used as an air barrier material in accordance with IRC Section N1102.4.1, or IECC Section R402.4.

The attributes of the water-resistive barriers have been verified as conforming to the provisions of (i) CALGreen Section 5.407.1 for water-resistive barriers; (ii) ICC 700-2020 Sections 602.1.8, 11.602.1.8, 1202.6 and 13.104.1.4; and (iii) ICC 700-2015 Section 602.1.8, 11.602.1.8 and 12.5.602.1.8 for water-resistive barriers.

The attributes of WeatherSmart have been verified as conforming to the provisions of (i) CALGreen Section A4.407.5 for air barriers; (ii) 2021 IgCC Section 701.3.1.2, 2018 IgCC Section 701.3.1.1 and 2015 IgCC Section 605.1.2.1 for air barriers; and (iii) 2020 ASHRAE 189.1 Section 7.3.1.2, 2017 and 2014 ASHRAE 189.1 Section 7.3.1.1 for air barriers. Note that decisions on compliance for those areas rest with the user of this report. The user is advised of the project-specific provisions that may be contingent upon meeting specific conditions, and the verification of those conditions is outside the scope of this report. These codes or standards often provide supplemental information as guidance.

3.0 DESCRIPTION

3.1 Jumbo Tex:

Jumbo Tex is a Grade D asphalt-saturated kraft building paper. Jumbo Tex weighs 3.6 pounds per 100 square feet (0.18 kg/m²) and is manufactured in rolls of varying sizes.

3.2 Jumbo Tex HD 30 Minute:

Jumbo Tex HD 30 Minute is a Grade D asphalt-saturated kraft building paper weighing 3.9 pounds per 100 square feet (0.19 kg/m²) and is manufactured in rolls of varying sizes.

3.3 Super Jumbo Tex 60 Minute:

Super Jumbo Tex 60 Minute is a Grade D asphalt-saturated kraft building paper with a 60-minute water-resistance rating. Jumbo Tex weighs 6 pounds per 100 square feet (0.29 kg/m²) and is manufactured in rolls of varying sizes.

3.4 WeatherSmart:

WeatherSmart is a Grade D, nonwoven, polypropylene fabric with a monolithic polymer coating on one side, and has a 60-minute water-resistance rating. WeatherSmart weighs 1.9 pounds per 100 square feet (0.09 kg/m²) and is manufactured in rolls of varying sizes. When used as an air barrier material, the product has an air permeance not exceeding 0.02 L/(s m²) @ 75 Pa [0.004 cfm.ft² at 0.3 w.g. (1.57 psf)].

3.5 Two-Ply Weather Tex:

Two-Ply Weather Tex is a two-layer water-resistive barrier composed of one layer of WeatherSmart, as described in Section 3.4, and one layer of Super Jumbo Tex 60 Minute, as described in Section 3.3. Weather Tex weighs 7.9 pounds per 100 square feet (0.39 kg/m²) and is manufactured in rolls of varying sizes.

3.6 Two-Ply Hydro Tex:

Two-Ply Hydro Tex is a two-layer water-resistive barrier composed of one layer of Super Jumbo Tex 60 Minute, as described in Section 3.3, and one layer of WeatherSmart® Drainable (ESR-3791). Two-Ply Hydro Tex weighs 7.4 pounds per 100 square feet (0.36 kg/m²) and is manufactured in rolls of varying sizes.

3.7 PlyDry:

PlyDry is a Grade D woven fabric with a polyolefin coating, microperforated for water vapor permeability. PlyDry weighs 1.18 pounds per 100 square feet (0.06 kg/m²) and is manufactured in rolls of varying sizes.

3.8 Surface Burning Characteristics:

The Jumbo Tex, Jumbo Tex HD 30 Minute, Super Jumbo Tex 60 Minute, Two-Ply Weather Tex, Two-Ply Hydro Tex, WeatherSmart, and PlyDry products have a flame spread index of less than 100 and a smoke-developed index of less than 450, when tested in accordance with IBC Section 802.1.

4.0 INSTALLATION

4.1 General:

The water-resistive barriers must be installed in accordance with 2021 and 2018 IBC Section 1403.2 and 2021 IBC 2510.6, and 2015 IBC Section 1404.2 or IRC Sections R703.2 and R703.7.2, as applicable, on the exterior side of exterior wall framing, sheathing or insulation, with the printed side installed facing outward.

The water-resistive barriers described in this report are installed after wall framing is completed and before or after windows and doors are installed. The roll is placed approximately 6 inches (152 mm) from the starting corner, except where the manufacturer's installation instructions specify a greater dimension, and is fastened with corrosion-resistant staples, corrosion-resistant nails, or corrosion nails or staples having plastic washer heads. The water-resistive barrier is then unrolled horizontally around the building and fastened in accordance with the manufacturer's published installation instructions. A minimum of 6 inches (152 mm) of overlap is to be provided for vertical seams and 2 inches (51 mm) for horizontal seams, except where the manufacturer's published installation instructions specify a greater overlap.

When the water-resistive barriers are installed over wood-based sheathing in exterior plaster applications, the water-resistive barriers must be applied in two layers over the sheathing, in accordance with 2021 IBC Section 2510.6, or IRC Section R703.7.3, as applicable. When used as an alternative to the 60-minute Grade D building paper over wood-based sheathing, the water-resistive barrier must be separated from the stucco in accordance with Item 2 exception to 2021 IBC Section 2510.6.1 and exception to IRC Section R703.7.3, as applicable. For cementitious coatings or exterior insulation and finish systems, application is to be in accordance with the ICC-ES evaluation report on the exterior coating system.

4.2 Fire-resistance-rated Construction Assemblies:

In Type V-A construction, the Jumbo Tex, Jumbo Tex HD 30 Minute, and Super Jumbo Tex 60 Minute water-resistive barriers may be used in exterior fire-resistance-rated assemblies described in IBC Table 721.1(2), or described in a current ICC-ES evaluation report that specifies use of building paper, without changing the assigned hourly rating of the assembly.

4.3 Air Barrier:

WeatherSmart, when used as an air barrier material, must be installed in accordance with the manufacturer's published installation instructions and this report.

5.0 CONDITIONS OF USE

The water-resistive barriers described in this report comply with, or are suitable alternatives to what is specified in, those codes listed in Section 1.0 of this report, subject to the following conditions:

- 5.1 Installation must comply with this report, the manufacturer's published installation instructions and the applicable code. In the event of conflict between the manufacturer's published installation instructions and this report, this report governs.
- 5.2 The water-resistive barriers must be covered with an approved exterior wall covering.
- 5.3 The air permeance noted in Section 3.4 is for WeatherSmart used as an air barrier material only. The design and evaluation of an air barrier assembly, with WeatherSmart as a component, is outside the scope of this report.

6.0 EVIDENCE SUBMITTED

- 6.1 Data in accordance with the ICC-ES Acceptance Criteria for Water-resistive Barriers (AC38), dated August 2016 (editorially revised July 2021).
- 6.2 Reports of testing in accordance with ASTM E84.
- 6.3 Reports of testing in accordance with ASTM E2178.

7.0 IDENTIFICATION

- 7.1 The water-resistive barriers described in this report are identified on one side, at regular intervals, with the product name, the Fortifiber Building Systems Group name and website address, and the evaluation report number (ESR-1027).
- 7.2 The report holder's contact information is the following:

FORTIFIBER BUILDING SYSTEMS GROUP®
336 COLDSTREAM ROAD
KIMBERTON, PENNSYLVANIA 19442
(610) 933-8888
www.henry.com
cs@henry.com